

Last Modified: 12-04-2024	6.11:8.1.0	Doc ID: RM1000000029ZXW
Model Year Start: 2023	Model: Prius	Prod Date Range: [12/2022 -]
Title: M20A-FXS (FUEL): FUEL SENDER GAUGE ASSEMBLY: REMOVAL; 2023 - 2024 MY Prius [12/2022 -]		

REMOVAL

CAUTION / NOTICE / HINT

The necessary procedures (adjustment, calibration, initialization or registration) that must be performed after parts are removed and installed, or replaced during fuel sender gauge assembly removal/installation are shown below.

CAUTION:

- Never perform work on fuel system components near any possible ignition sources.



- Vaporized fuel could ignite, resulting in a serious accident.
- Do not perform work on fuel system components without first disconnecting the cable from the negative (-) auxiliary battery terminal.



- auxiliary battery terminal.
- Sparks could cause vaporized fuel to ignite, resulting in a serious accident.

NOTICE:

After the ignition switch is turned off, there may be a waiting time before disconnecting the negative (-) auxiliary battery terminal.

Click here [INFO](#)

HINT:

When the cable is disconnected / reconnected to the auxiliary battery terminal, systems temporarily stop operating. However, each system has a function that completes learning the first time the system is used.

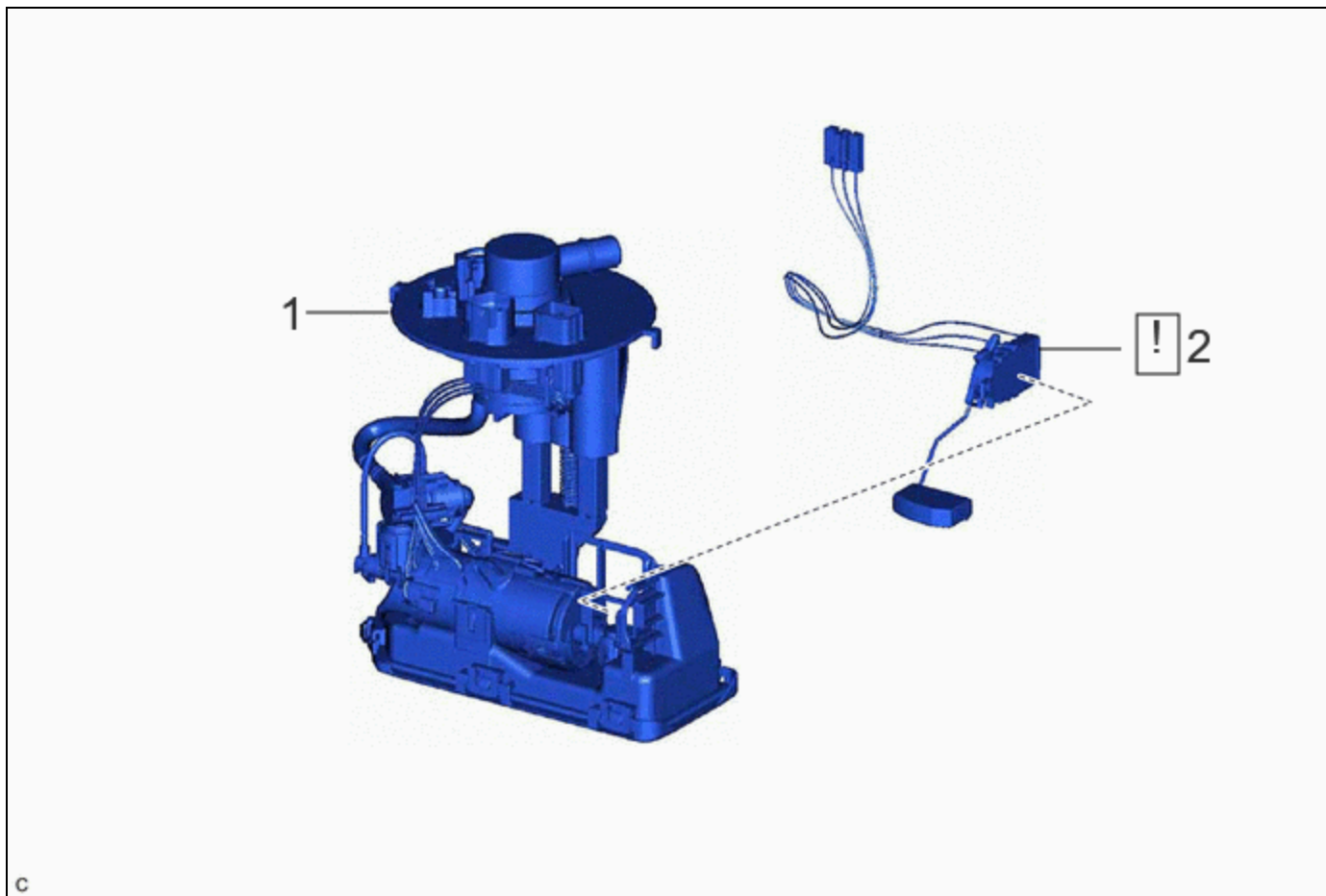
Learning completes when vehicle is driven




EFFECT/INOPERATIVE FUNCTION WHEN NECESSARY PROCEDURE NOT PERFORMED	NECESSARY PROCEDURE	LINK
Front Camera System	Drive the vehicle straight ahead at 35 km/h (22 mph) or more for 5 seconds or more.	INFO

Learning completes when vehicle is operated normally

EFFECT/INOPERATIVE FUNCTION WHEN NECESSARY PROCEDURE NOT PERFORMED	NECESSARY PROCEDURE	LINK
Power Door Lock Control System*1 <ul style="list-style-type: none"> • Back door opener 	Perform door unlock operation with door control switch or electrical key transmitter sub-assembly switch.	INFO
Power Back Door System*2	Reset back door close position	INFO
Air Conditioning System	After the ignition switch is turned to ON, the servo motor standard position is recognized.	-
*1: w/o Power Back Door System		
*2: w/ Power Back Door System		

CAUTION / NOTICE / HINT**COMPONENTS (REMOVAL)**



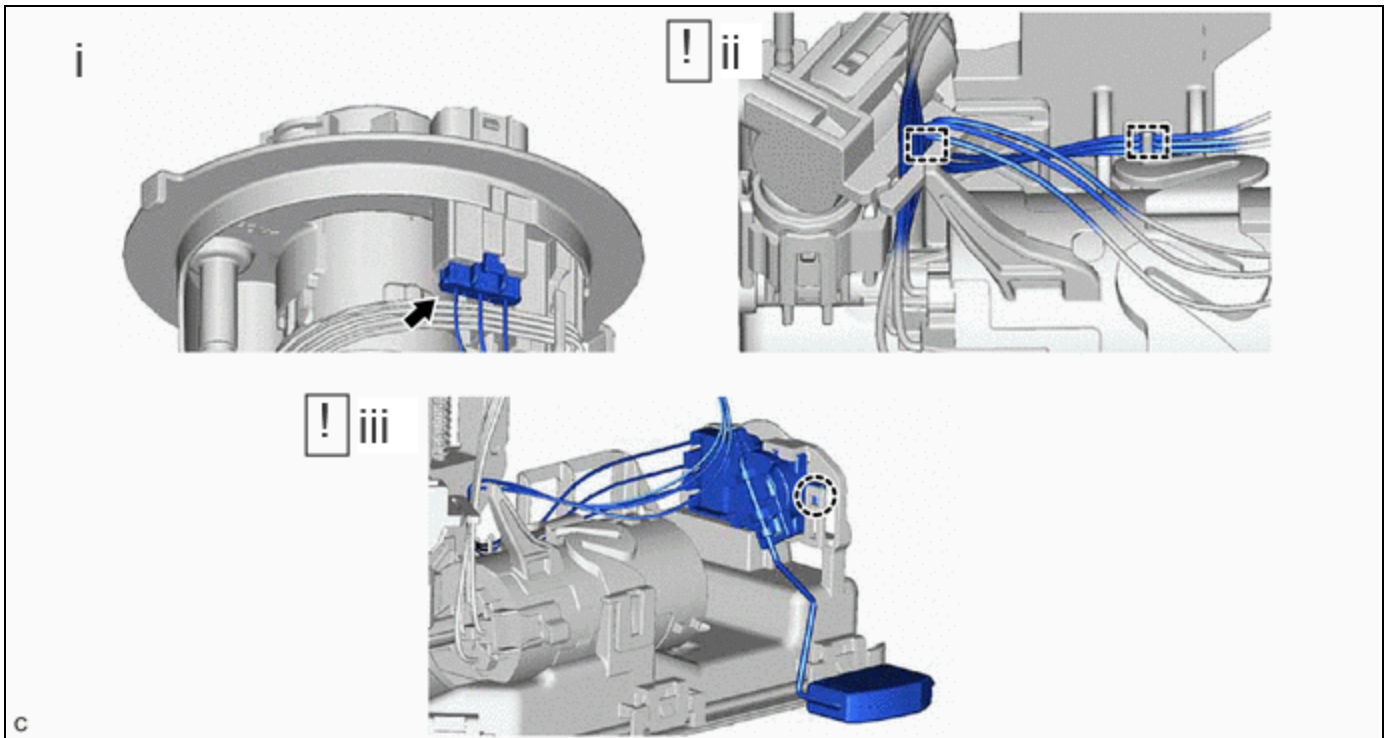
PROCEDURE		PART NAME CODE			
1	FUEL SUCTION TUBE WITH PUMP AND GAUGE ASSEMBLY	77020A	-	-	-
2	FUEL SENDER GAUGE ASSEMBLY	83320	INFO	-	-

PROCEDURE

1. REMOVE FUEL SUCTION TUBE WITH PUMP AND GAUGE ASSEMBLY

Click here [INFO](#)

2. REMOVE FUEL SENDER GAUGE ASSEMBLY



- (1) Disconnect the fuel sender gauge assembly connector.
- (2) Disengage the 2 clamps to disconnect the wire harness from the fuel suction tube with pump and gauge assembly.

NOTICE:

- Do not damage the wire harness.
- When disengaging each wire harness from the clamp, disengage one wire at a time.

- (3) Disengage the claw to remove the fuel sender gauge assembly from the fuel suction tube with pump and gauge assembly.

NOTICE:

Be careful not to bend the arm of the fuel sender gauge assembly.

