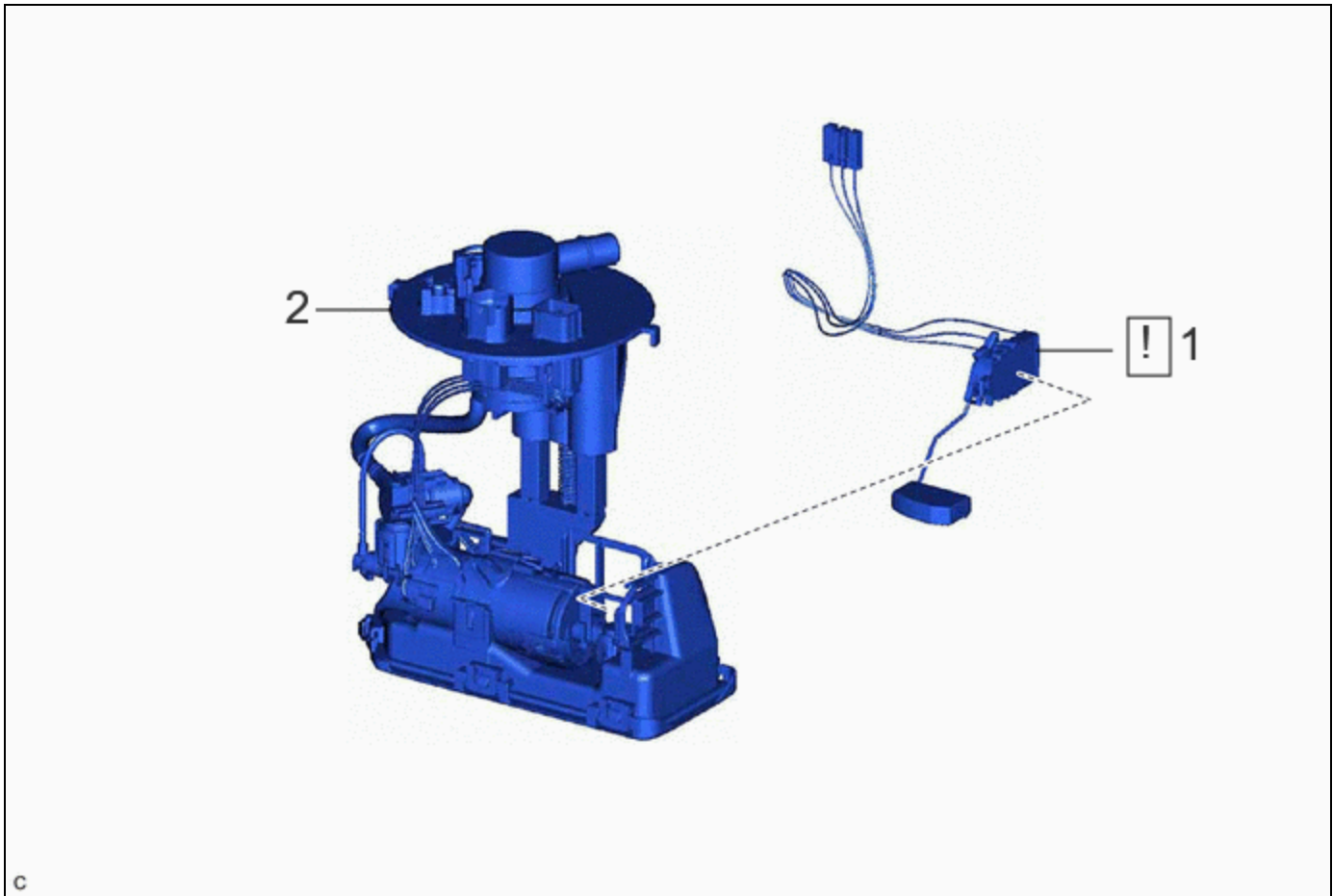


| | | |
|--|---------------------|--------------------------------------|
| Last Modified: 12-04-2024 | 6.11:8.1.0 | Doc ID: RM1000000029ZXV |
| Model Year Start: 2023 | Model: Prius | Prod Date Range: [12/2022 -] |
| Title: M20A-FXS (FUEL): FUEL SENDER GAUGE ASSEMBLY: INSTALLATION; 2023 - 2024 MY Prius [12/2022 -] | | |

INSTALLATION

CAUTION / NOTICE / HINT

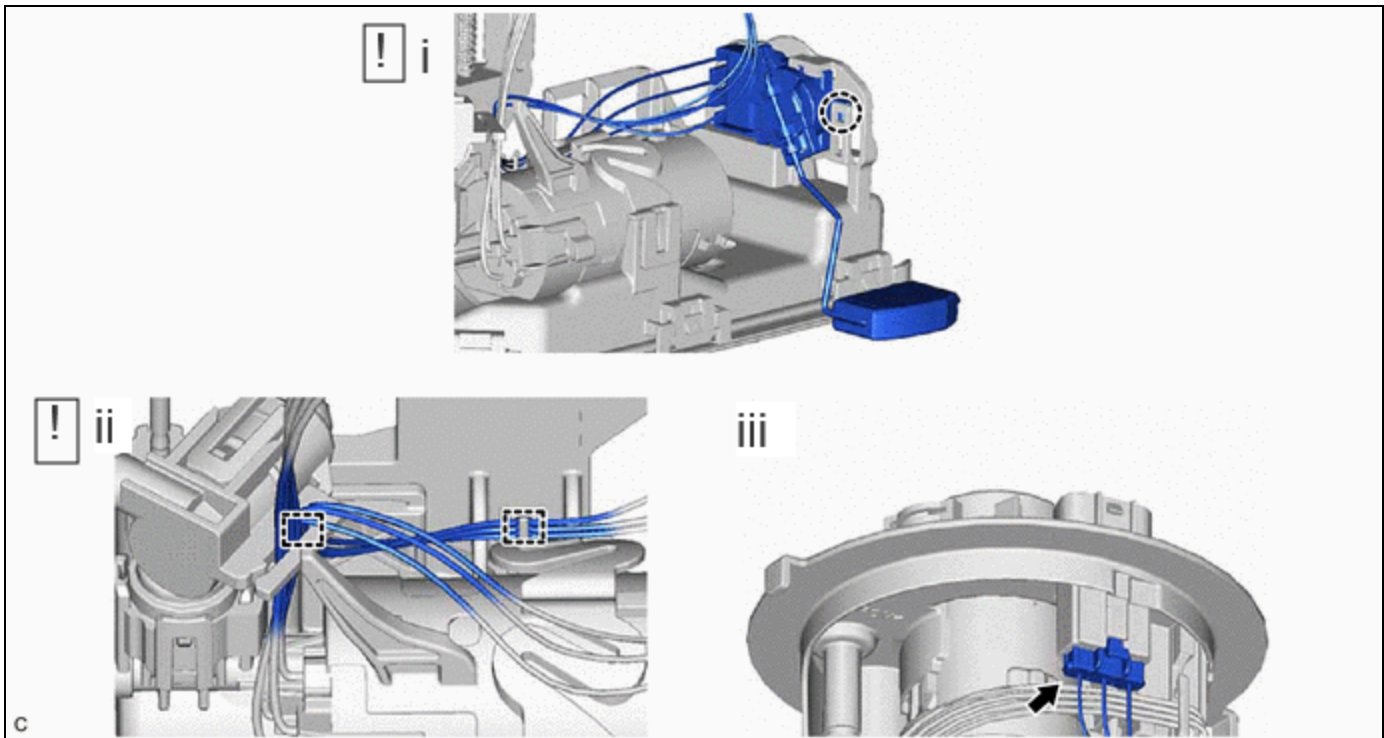
COMPONENTS (INSTALLATION)



| PROCEDURE | | PART NAME CODE | | | |
|-----------|--|----------------|------|---|---|
| 1 | FUEL SENDER GAUGE ASSEMBLY | 83320 | INFO | - | - |
| 2 | FUEL SUCTION TUBE WITH PUMP AND GAUGE ASSEMBLY | 77020A | - | - | - |

PROCEDURE

1. INSTALL FUEL SENDER GAUGE ASSEMBLY



(1) Engage the claw to install the fuel sender gauge assembly to the fuel suction tube with pump and gauge assembly.

NOTICE:

Be careful not to bend the arm of the fuel sender gauge assembly.

(2) Engage the 2 clamps to connect the wire harness to the fuel suction tube with pump and gauge assembly.

NOTICE:

- Do not damage the wire harness.
- When engaging each wire harness to the clamp, engage one wire at a time.

(3) Connect the fuel sender gauge assembly connector.

2. INSTALL FUEL SUCTION TUBE WITH PUMP AND GAUGE ASSEMBLY

Click here [INFO](#)

