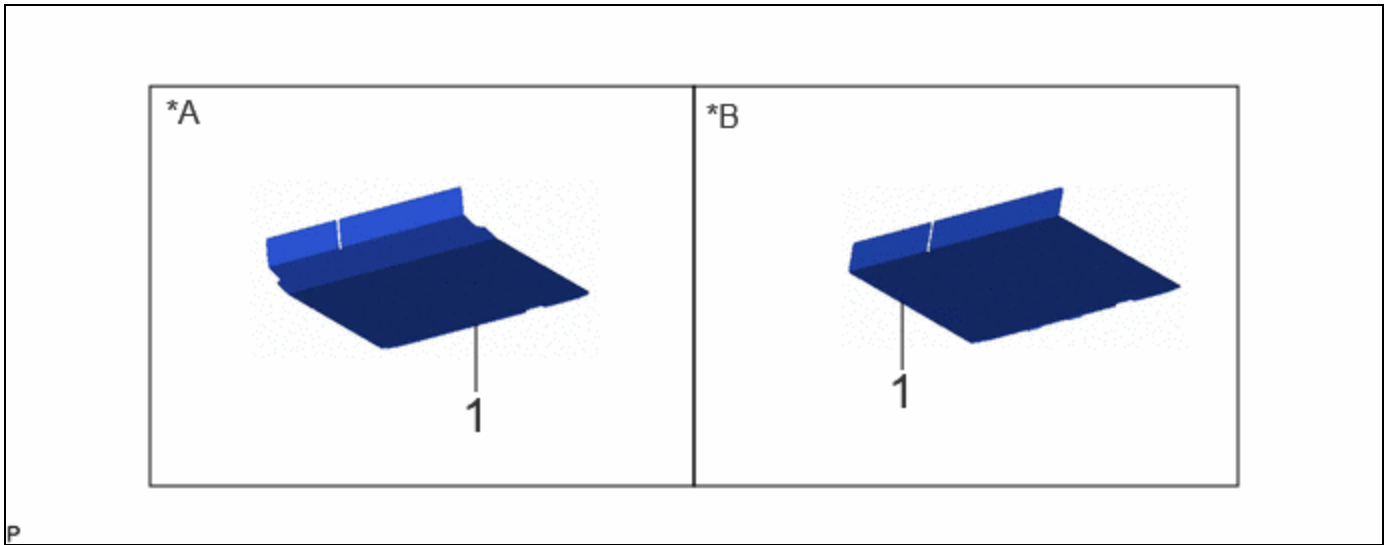


Last Modified: 12-04-2024	6.11:8.1.0	Doc ID: RM1000000029ZXR
Model Year Start: 2023	Model: Prius Prime	Prod Date Range: [12/2022 -]
Title: M20A-FXS (FUEL): FUEL PUMP ECU: REMOVAL; 2023 - 2024 MY Prius Prius Prime [12/2022 -]		

REMOVAL

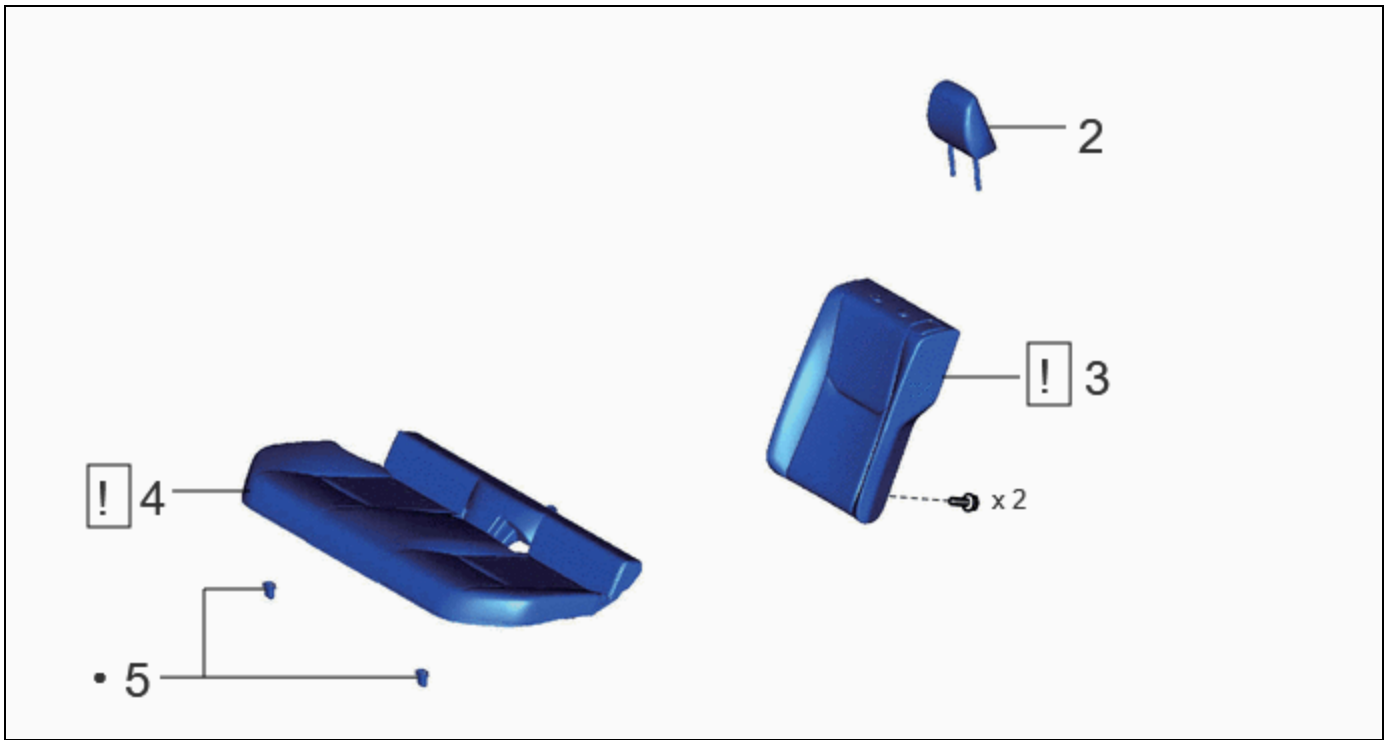
CAUTION / NOTICE / HINT

COMPONENTS (REMOVAL)



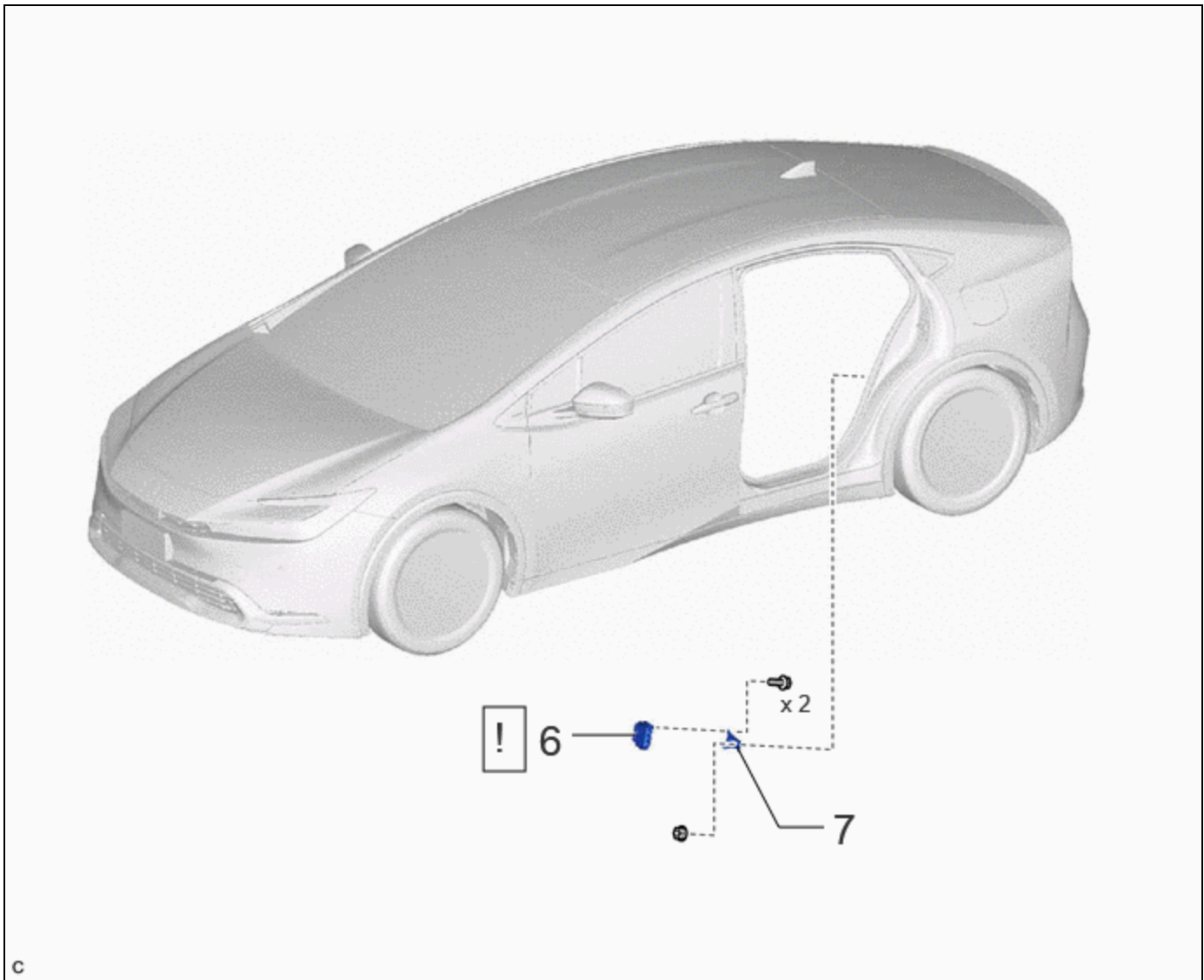
PROCEDURE		PART NAME CODE			
1	DECK BOARD ASSEMBLY	58410B	-	-	-

*A	for Low Deck	*B	for High Deck
----	--------------	----	---------------



	PROCEDURE	PART NAME CODE			
2	REAR SEAT HEADREST ASSEMBLY (for LH Side)	71940A	-	-	-
3	REAR SEATBACK ASSEMBLY LH	-	INFO	-	-
4	REAR SEAT CUSHION ASSEMBLY	-	INFO	-	-
5	REAR SEAT CUSHION LOCK HOOK	72693	-	-	-

•	Non-reusable part	-	-
---	-------------------	---	---



PROCEDURE		PART NAME CODE			
6	FUEL PUMP CONTROL ECU	89571	INFO	-	-
7	FUEL PUMP CONTROL ECU BRACKET	89573	-	-	-

PROCEDURE

1. REMOVE DECK BOARD ASSEMBLY

Click here [INFO](#)


2. REMOVE REAR SEAT HEADREST ASSEMBLY (for LH Side)

Click here [INFO](#)

3. REMOVE REAR SEATBACK ASSEMBLY LH

	Click here INFO
---	---------------------------------

4. REMOVE REAR SEAT CUSHION ASSEMBLY

	Click here INFO
---	---------------------------------

5. REMOVE REAR SEAT CUSHION LOCK HOOK

Click here [INFO](#)

6. REMOVE FUEL PUMP CONTROL ECU



- (1) Disconnect the 2 fuel pump control ECU connectors.
- (2) Remove the nut and fuel pump control ECU from the vehicle body.

NOTICE:

Do not reuse the fuel pump control ECU if it has been dropped or subjected to a severe impact.

7. REMOVE FUEL PUMP CONTROL ECU BRACKET

