

Last Modified: 12-04-2024	6.11:8.1.0	Doc ID: RM100000002B0HV
Model Year Start: 2023	Model: Prius Prime	Prod Date Range: [03/2023 -]
Title: M20A-FXS (FUEL): FUEL PUMP (for PHEV Model): REMOVAL; 2023 - 2024 MY Prius Prime [03/2023 -]		

REMOVAL

CAUTION / NOTICE / HINT

The necessary procedures (adjustment, calibration, initialization or registration) that must be performed after parts are removed and installed, or replaced during fuel pump with filter assembly removal/installation are shown below.

Necessary Procedures After Parts Removed/Installed/Replaced

REPLACED PART OR PERFORMED PROCEDURE	NECESSARY PROCEDURE	EFFECT/INOPERATIVE FUNCTION WHEN NECESSARY PROCEDURE NOT PERFORMED	LINK
Replacement of fuel pump with filter assembly	Inspection after repair	<ul style="list-style-type: none"> Poor idle, etc. Engine start function, etc. 	INFO

CAUTION:

- Never perform work on fuel system components near any possible ignition sources.



- Vaporized fuel could ignite, resulting in a serious accident.

- Do not perform work on fuel system components without first disconnecting the cable from the negative (-)



- auxiliary battery terminal.
- Sparks could cause vaporized fuel to ignite, resulting in a serious accident.

HINT:

When the cable is disconnected / reconnected to the auxiliary battery terminal, systems temporarily stop operating. However, each system has a function that completes learning the first time the system is used.

Learning completes when vehicle is driven

EFFECT/INOPERATIVE FUNCTION WHEN NECESSARY PROCEDURE NOT PERFORMED	NECESSARY PROCEDURE	LINK
Front Camera System	Drive the vehicle straight ahead at 35 km/h (22 mph) or more for 5 seconds or more.	INFO

Learning completes when vehicle is operated normally

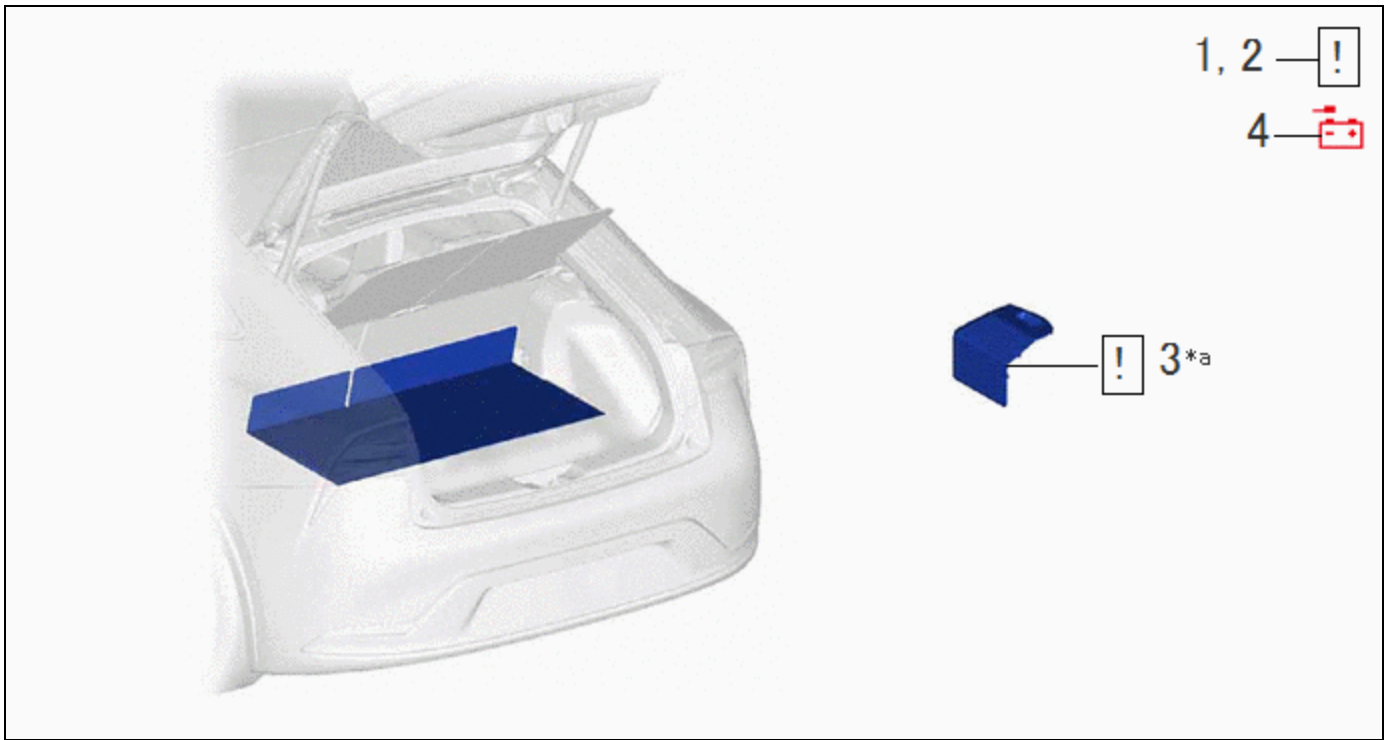
EFFECT/INOPERATIVE FUNCTION WHEN NECESSARY PROCEDURE NOT PERFORMED	NECESSARY PROCEDURE	LINK
Power Door Lock Control System*1 <ul style="list-style-type: none"> Back door opener 	Perform door unlock operation with door control switch or electrical key transmitter sub-assembly switch.	INFO
Power Back Door System*2	Reset back door close position	INFO
Air Conditioning System	After the ignition switch is turned to ON, the servo motor and cooler expansion valve standard position is recognized.	-

*1: w/o Power Back Door System

*2: w/ Power Back Door System

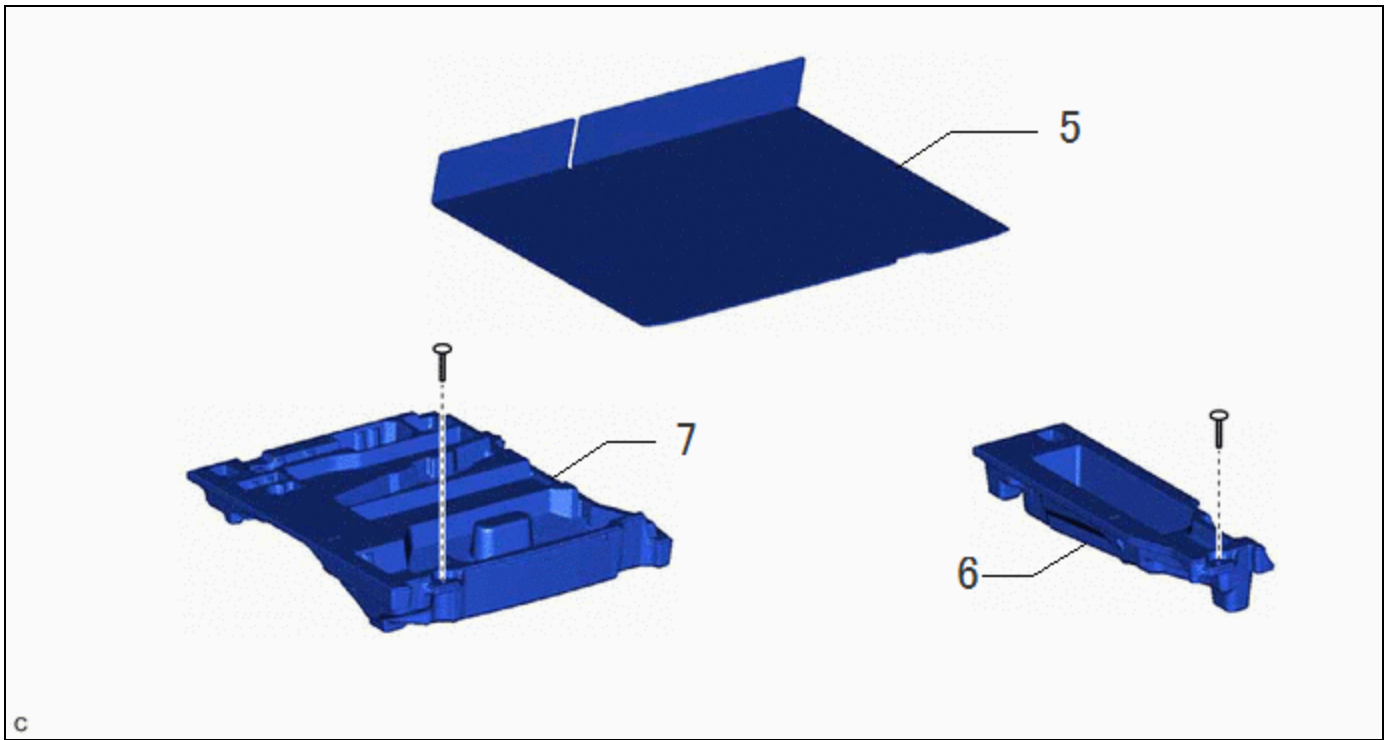
CAUTION / NOTICE / HINT

COMPONENTS (REMOVAL)






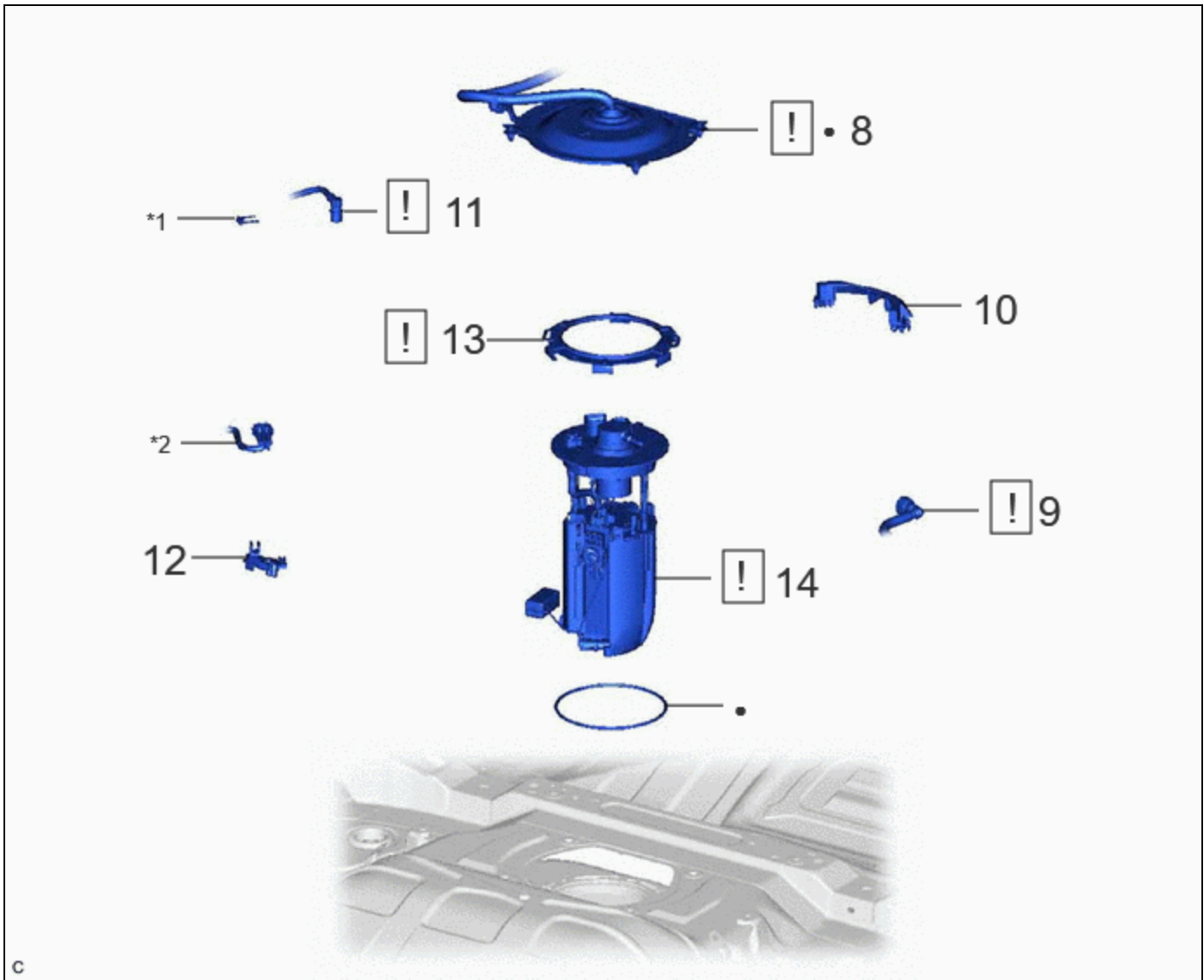
PROCEDURE		PART NAME CODE			
1	PRECAUTION	-	INFO	-	-
2	DISCHARGE FUEL SYSTEM PRESSURE	-	INFO	-	-
3	BATTERY SERVICE HOLE COVER ASSEMBLY	58440	INFO	-	-
4	DISCONNECT CABLE FROM NEGATIVE AUXILIARY BATTERY TERMINAL	-	-	-	-

*a	<p>HINT: As the illustration shown is an example, the actual details may differ.</p>	-	-
----	---	---	---



c

PROCEDURE		PART NAME CODE			
5	DECK BOARD ASSEMBLY	58410B	-	-	-
6	DECK FLOOR BOX RH	64995	-	-	-
7	DECK FLOOR BOX LH	64997	-	-	-



PROCEDURE		PART NAME CODE			
8	NO. 1 REAR FLOOR SERVICE HOLE COVER	58325M	INFO	-	-
9	FUEL TANK EVAPORATION VENT TUBE SUB-ASSEMBLY	77018E	INFO	-	-
10	NO. 4 FUEL TUBE CLAMP	77289C	-	-	-
11	FUEL TANK MAIN TUBE SUB-ASSEMBLY	77209F	INFO	-	-
12	NO. 1 FUEL TUBE CLAMP	77285M	-	-	-
13	FUEL PUMP GAUGE RETAINER	77144	INFO	-	-
14	FUEL SUCTION TUBE WITH PUMP AND GAUGE ASSEMBLY	77020A	INFO	-	-

*1	TUBE JOINT CLIP	*2	FUEL GAUGE WIRE
•	Non-reusable part	-	-

PROCEDURE

1. PRECAUTION

**NOTICE:**

After the ignition switch is turned off, there may be a waiting time before disconnecting the negative (-) auxiliary battery terminal.

Click here [INFO](#)

2. DISCHARGE FUEL SYSTEM PRESSURE

Click here [INFO](#)

3. REMOVE BATTERY SERVICE HOLE COVER ASSEMBLY



Click here [INFO](#)

4. DISCONNECT CABLE FROM NEGATIVE AUXILIARY BATTERY TERMINAL

Click here [INFO](#)

5. REMOVE DECK BOARD ASSEMBLY

Click here [INFO](#)

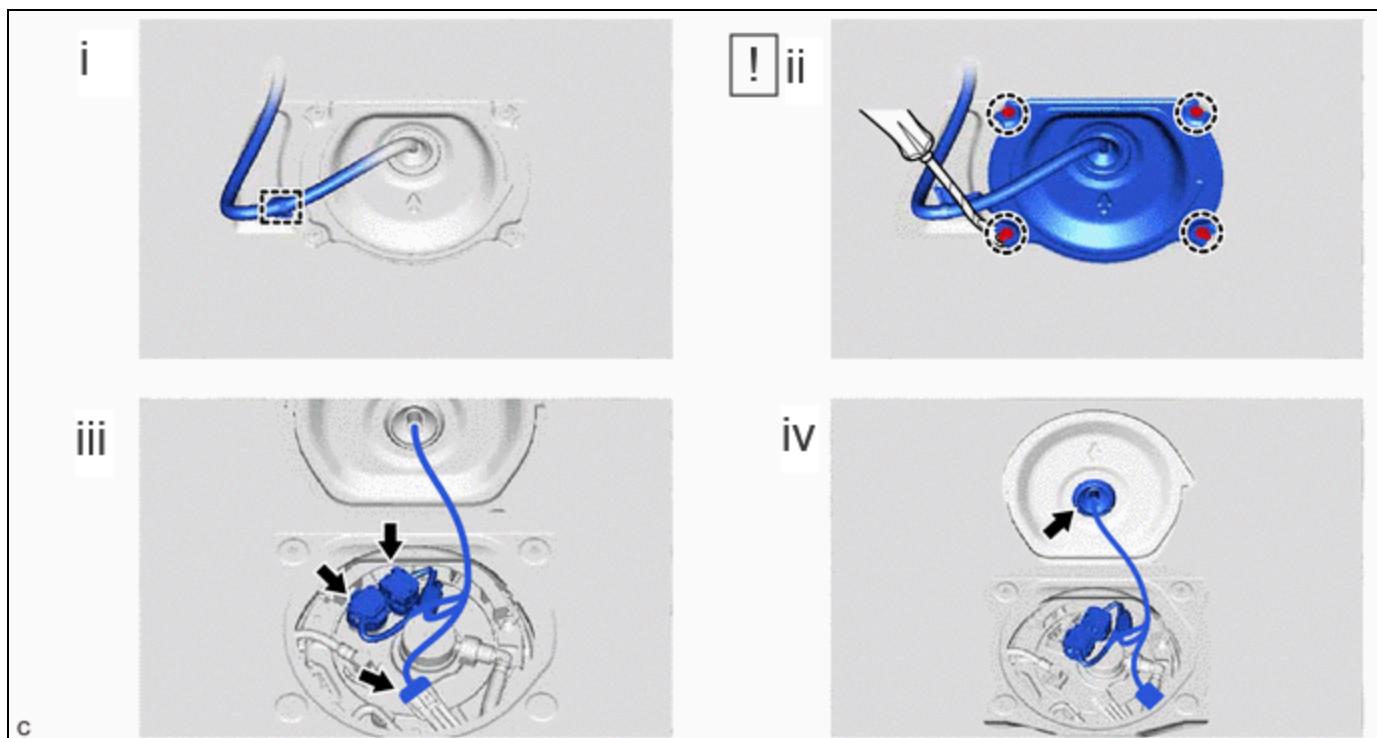
6. REMOVE DECK FLOOR BOX RH

Click here [INFO](#)

7. REMOVE DECK FLOOR BOX LH

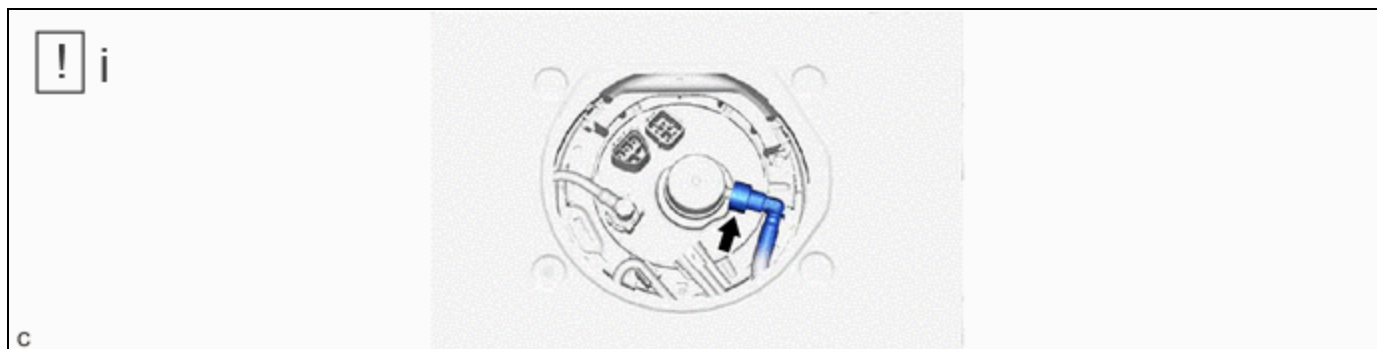
Click here [INFO](#)

8. REMOVE NO. 1 REAR FLOOR SERVICE HOLE COVER



- (1) Disengage the clamp to disconnect the floor wire from the No. 1 rear floor service hole cover.
- (2) Using a clip remover with its tip wrapped with protective tape, disconnect the 4 clips to remove the No. 1 rear floor service hole cover.
- (3) Disconnect the 2 fuel suction tube with pump and gauge assembly connectors and fuel gauge wire connector.
- (4) Remove the grommet to disconnect the floor wire from the No. 1 rear floor service hole cover.

9. DISCONNECT FUEL TANK EVAPORATION VENT TUBE SUB-ASSEMBLY



- (1) Disconnect the fuel tank evaporation vent tube sub-assembly from the fuel suction tube with pump and gauge assembly.



Click here [INFO](#)

10. REMOVE NO. 4 FUEL TUBE CLAMP



11. DISCONNECT FUEL TANK MAIN TUBE SUB-ASSEMBLY



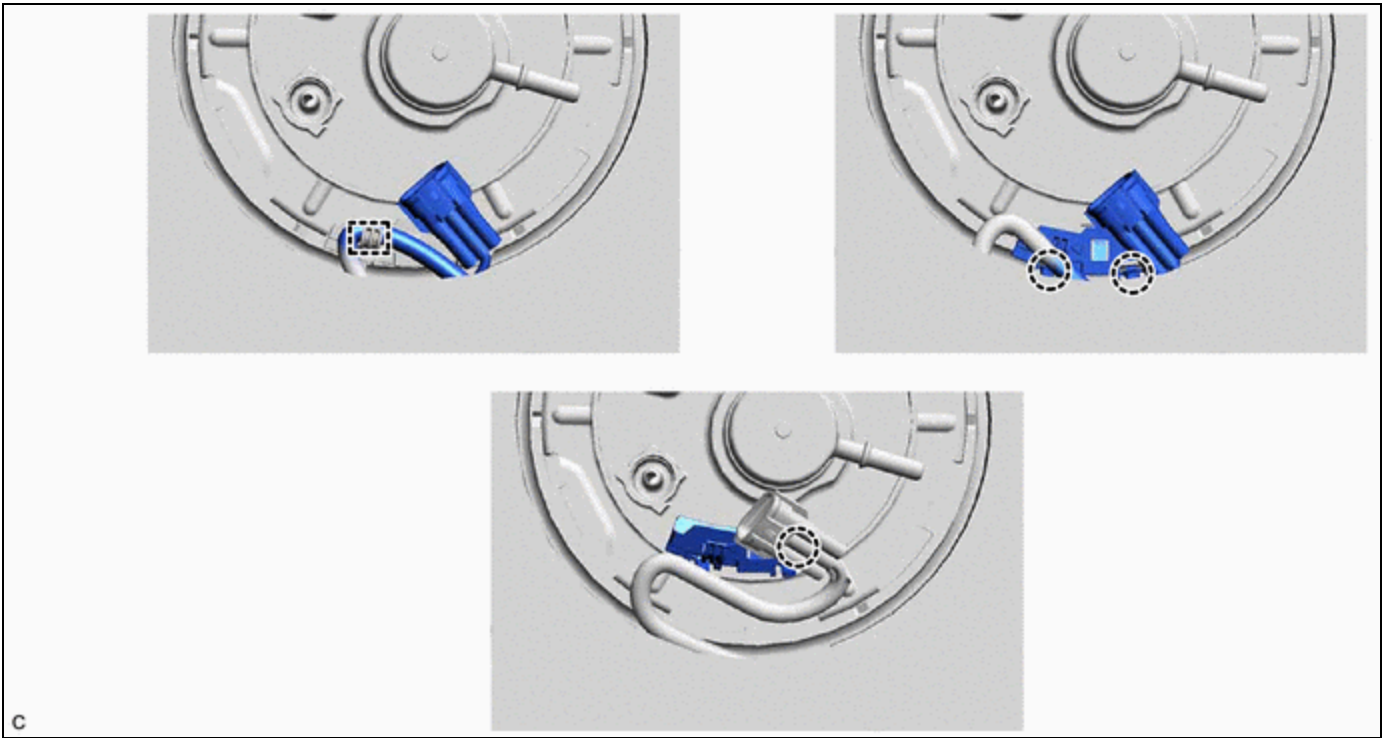
*1	Tube Joint Clip	*2	Fuel Tank Main Tube Sub-assembly
*3	Fuel Suction Plate Sub-assembly	-	-
*a	Nylon Tube	*b	Fuel Tube Joint
*c	O-ring	-	-
	Pull off		Pull off

(1) Remove the tube joint clip, and pull off the fuel tube joint of the fuel tank main tube sub-assembly.

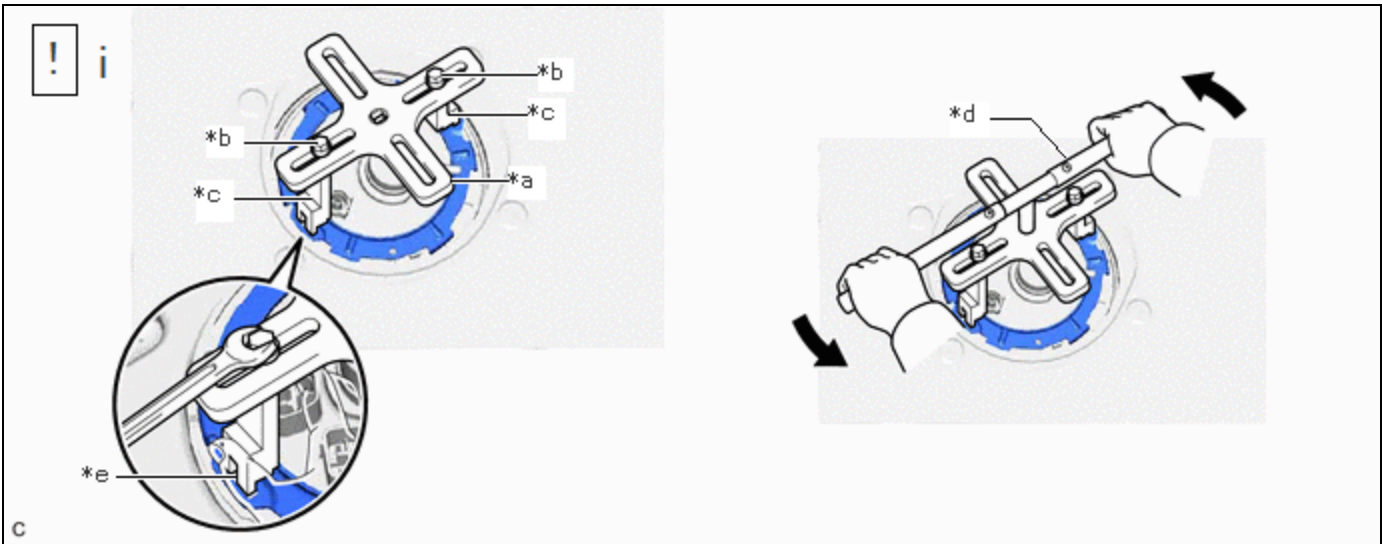
NOTICE:

- Remove any foreign matter on the fuel tube joint before performing this work.
- Do not scratch or allow any foreign matter to get on the parts when disconnecting them as the fuel tube connector has O-rings that seal the pipe (fuel pipe).
- Be sure to disconnect the fuel tube joint by hand.
- Do not bend, twist, pinch or kink the nylon tube.
- Cover the disconnected fuel tube joint with a plastic bag to prevent damage and contamination.
- If the fuel tube joint and fuel suction plate sub-assembly are stuck, push and pull to release them.

12. REMOVE NO. 1 FUEL TUBE CLAMP



13. REMOVE FUEL PUMP GAUGE RETAINER



*a	SST (Plate)	*b	SST (Bolt)
*c	SST (Claw)	*d	SST (Handle)
*e	Insertion Point	-	-

(1) Remove the fuel pump gauge retainer.

1. Temporarily install SST (plate) and SST (claw) to the fuel pump gauge retainer.

SST: 09808-01071

SST: 09808-14031

09808-01030

09808-01090

HINT:

Securely insert the ends of SST (claw) into the insertion points in the fuel pump gauge retainer.

2. While firmly pressing SST (claw) into the insertion points in the fuel pump gauge retainer, tighten SST (bolt).

3. Install SST (handle) to SST (plate).

SST: 09808-14031

09808-01010

09808-01030

09808-01090

SST: 09808-01071

4. Lightly press down on SST to prevent it from separating from the fuel pump gauge retainer. While pressing down on SST, rotate SST (handle) slowly to loosen the fuel pump gauge retainer.

NOTICE:

- Do not use any tools other than specified as this may result in damage to the fuel pump gauge retainer or fuel tank sub-assembly.
- Do not press down on SST excessively as this may make the fuel pump gauge retainer hard to rotate, and may damage components.
- Make sure to rotate SST (handle) horizontally. If it is rotated at an angle, SST may come off.
- Do not spin SST too fast or use an impact wrench as this may result in damage to components.
- If SST comes off of the fuel pump gauge retainer, loosen SST (bolt) and reinstall SST.

5. While pressing down on the fuel suction tube with pump and gauge assembly, remove the fuel pump gauge retainer.

14. REMOVE FUEL SUCTION TUBE WITH PUMP AND GAUGE ASSEMBLY



(1) Remove the fuel suction tube with pump and gauge assembly from the fuel tank sub-assembly.

NOTICE:

Be careful not to bend the arm of the fuel sender gauge assembly.

(2) Remove the No. 1 fuel suction tube set gasket from the fuel tank sub-assembly.

