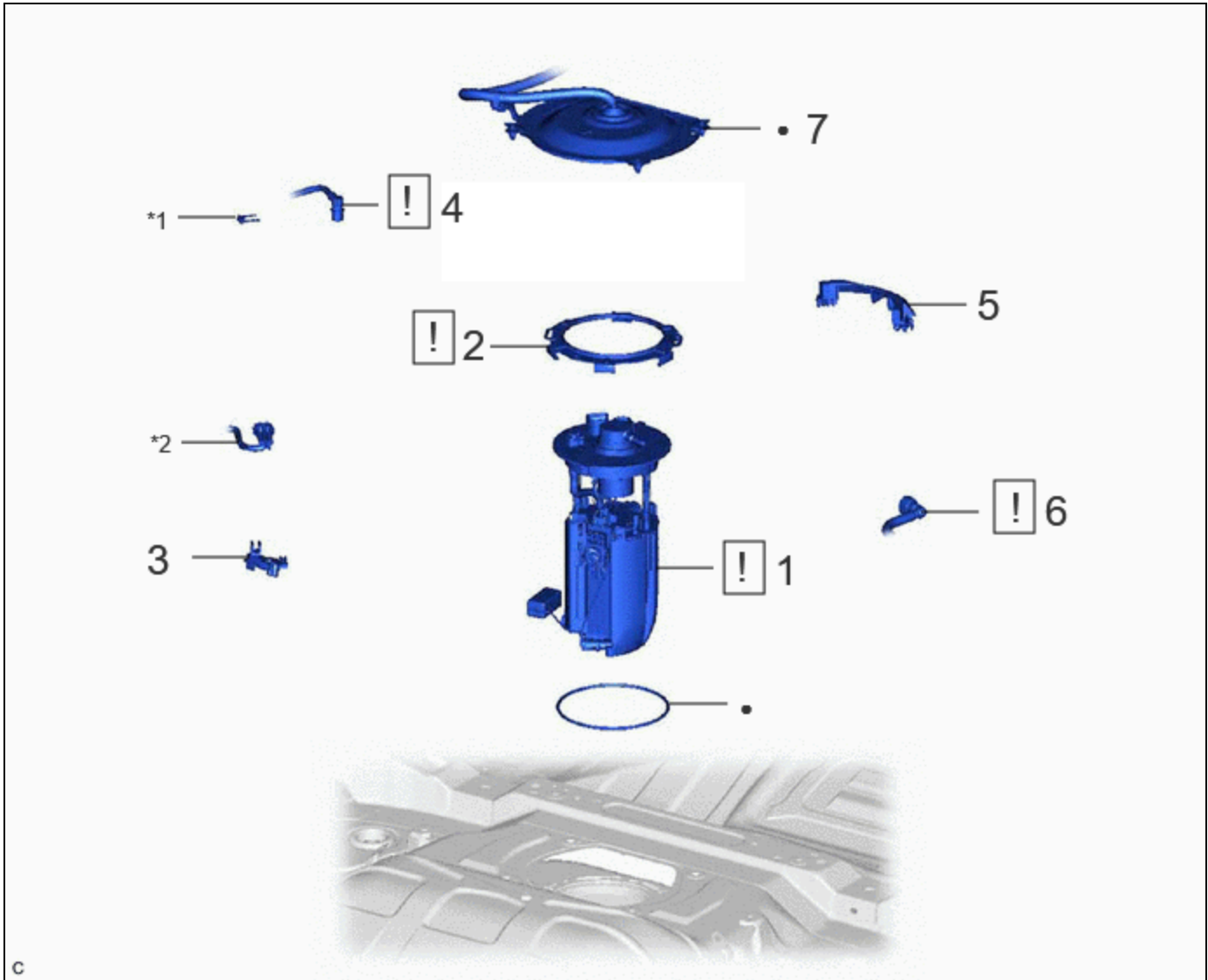


Last Modified: 12-04-2024	6.11:8.1.0	Doc ID: RM100000002B0HR
Model Year Start: 2023	Model: Prius Prime	Prod Date Range: [03/2023 -]
Title: M20A-FXS (FUEL): FUEL PUMP (for PHEV Model): INSTALLATION; 2023 - 2024 MY Prius Prime [03/2023 -]		




INSTALLATION

CAUTION / NOTICE / HINT

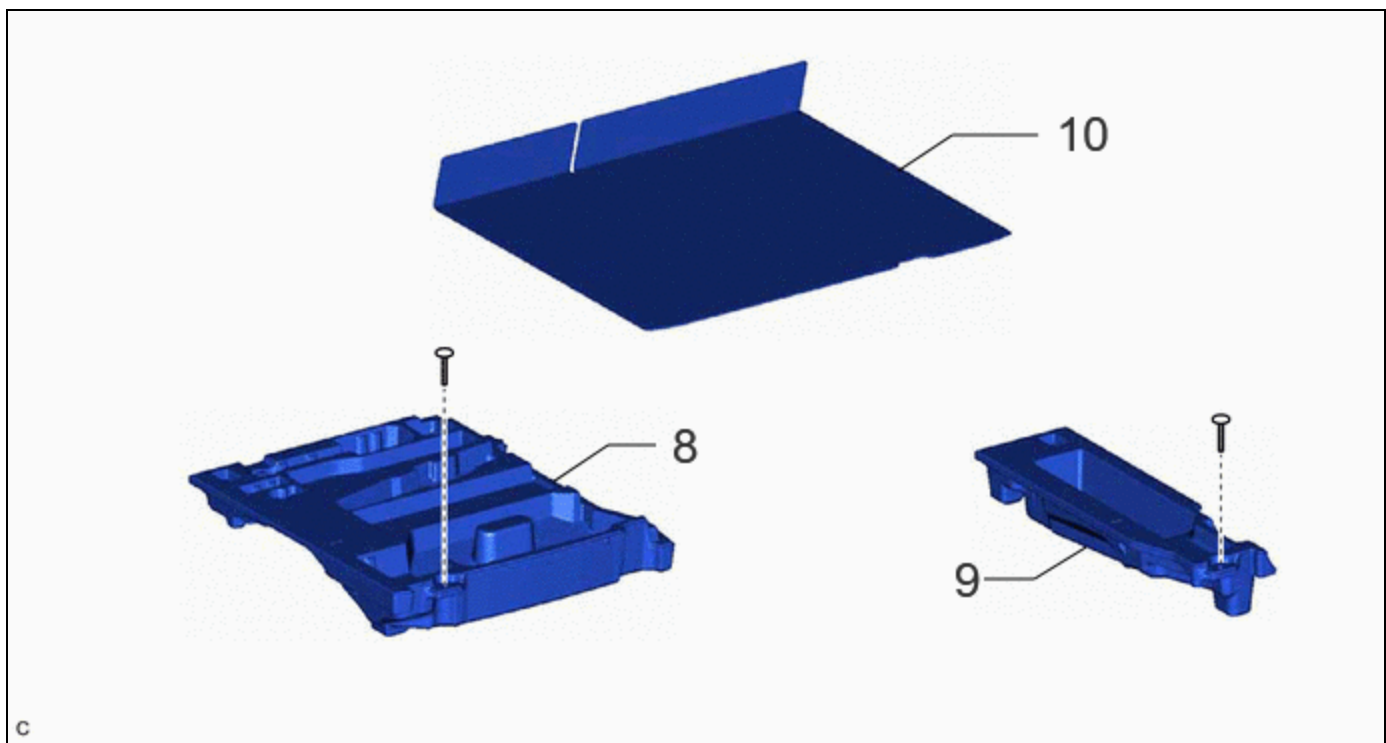
COMPONENTS (INSTALLATION)






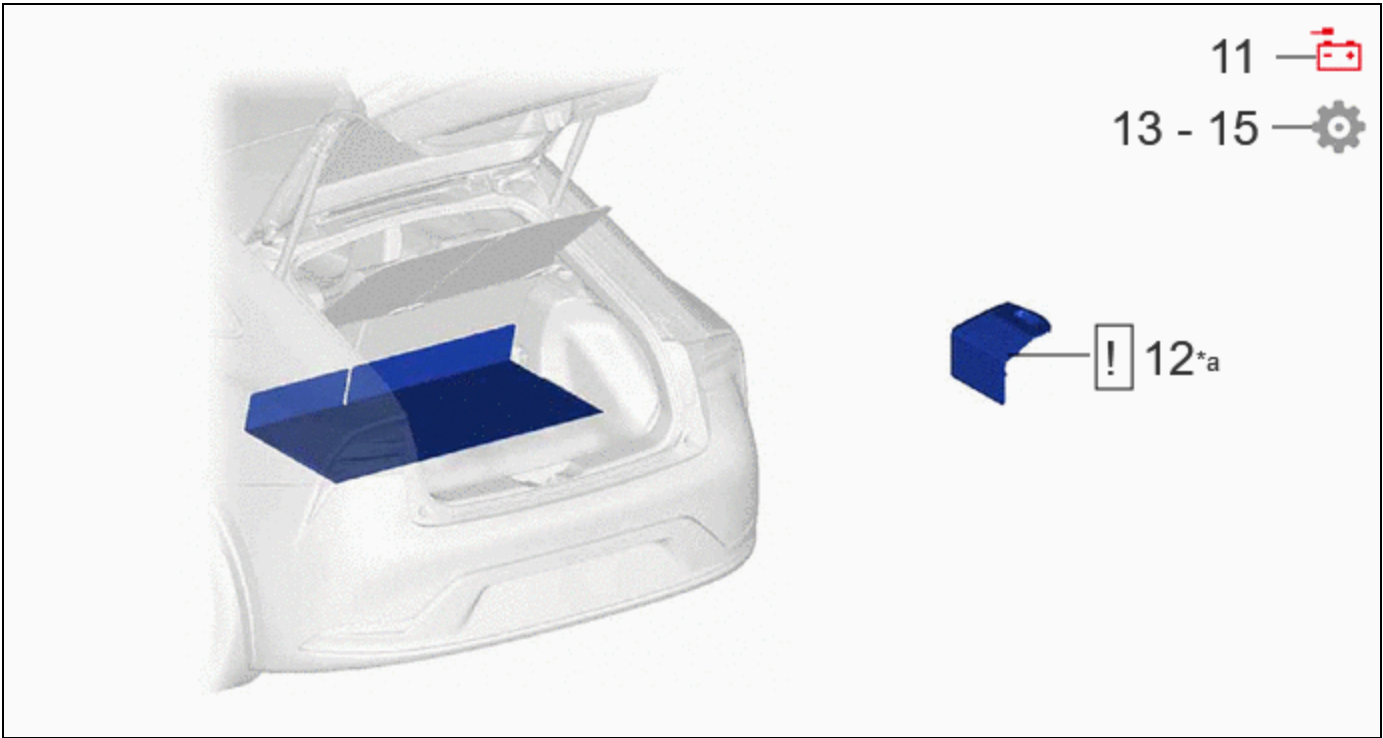
PROCEDURE		PART NAME CODE			
1	FUEL SUCTION TUBE WITH PUMP AND GAUGE ASSEMBLY	77020A	INFO	-	-
2	FUEL PUMP GAUGE RETAINER	77144	INFO	-	-

PROCEDURE		PART NAME CODE			
3	NO. 1 FUEL TUBE CLAMP	77285M	-	-	-
4	FUEL TANK MAIN TUBE SUB-ASSEMBLY	77209F	INFO	-	-
5	NO. 4 FUEL TUBE CLAMP	77289C	-	-	-
6	FUEL TANK EVAPORATION VENT TUBE SUB-ASSEMBLY	77018E	INFO	-	-
7	NO. 1 REAR FLOOR SERVICE HOLE COVER	58325M	-	-	-

*1	TUBE JOINT CLIP	*2	FUEL GAUGE WIRE
•	Non-reusable part	-	-



PROCEDURE		PART NAME CODE			
8	DECK FLOOR BOX LH	64997	-	-	-
9	DECK FLOOR BOX RH	64995	-	-	-
10	DECK BOARD ASSEMBLY	58410B	-	-	-

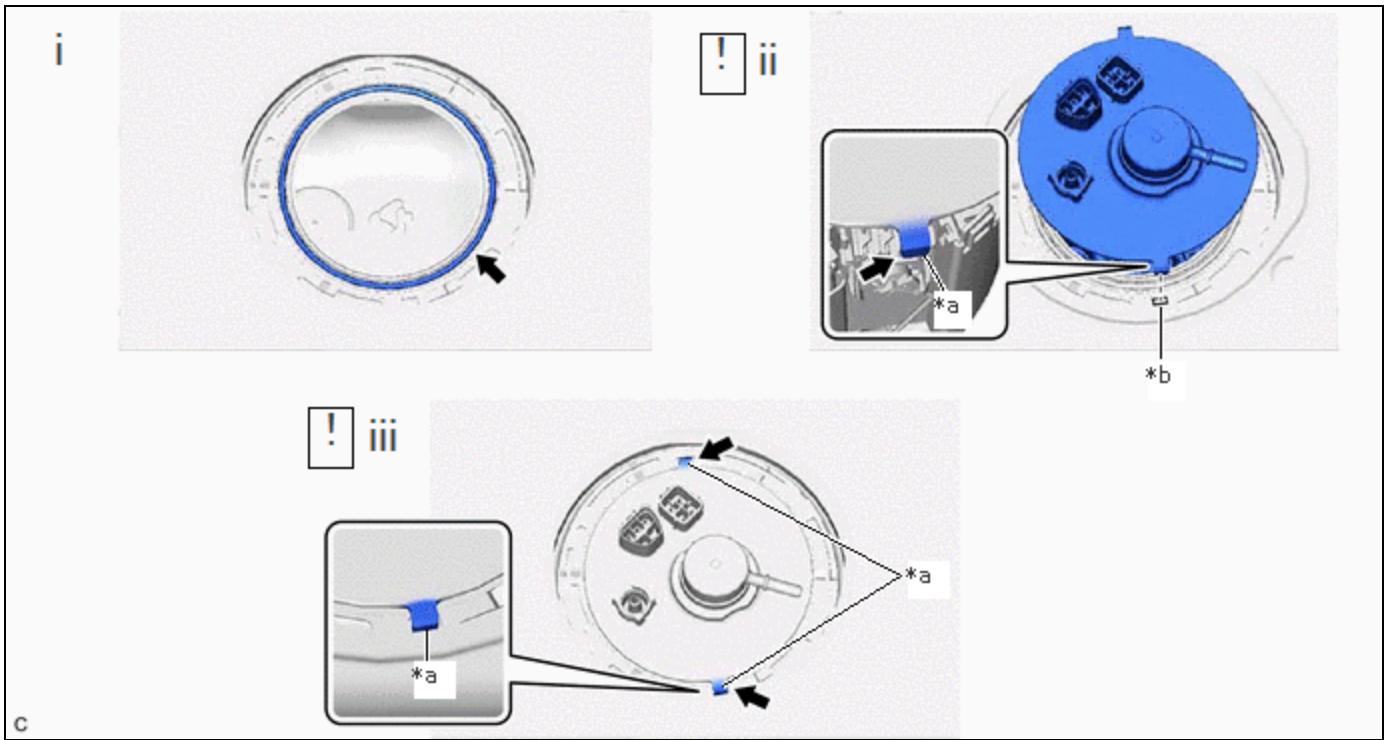


PROCEDURE	PART NAME CODE			
11 CONNECT CABLE TO NEGATIVE AUXILIARY BATTERY TERMINAL	-	-	-	-
12 BATTERY SERVICE HOLE COVER ASSEMBLY	58440	INFO	-	-
13 INSPECT FOR FUEL LEAK	-	-	-	INFO
14 PERFORM INITIALIZATION	-	-	-	INFO
15 INITIALIZATION AFTER RECONNECTING AUXILIARY BATTERY TERMINAL	-	-	-	INFO

*a	<p>HINT: As the illustration shown is an example, the actual details may differ.</p>	-	-
----	---	---	---

PROCEDURE

1. INSTALL FUEL SUCTION TUBE WITH PUMP AND GAUGE ASSEMBLY



*a	Protrusion	*b	Notch
----	------------	----	-------

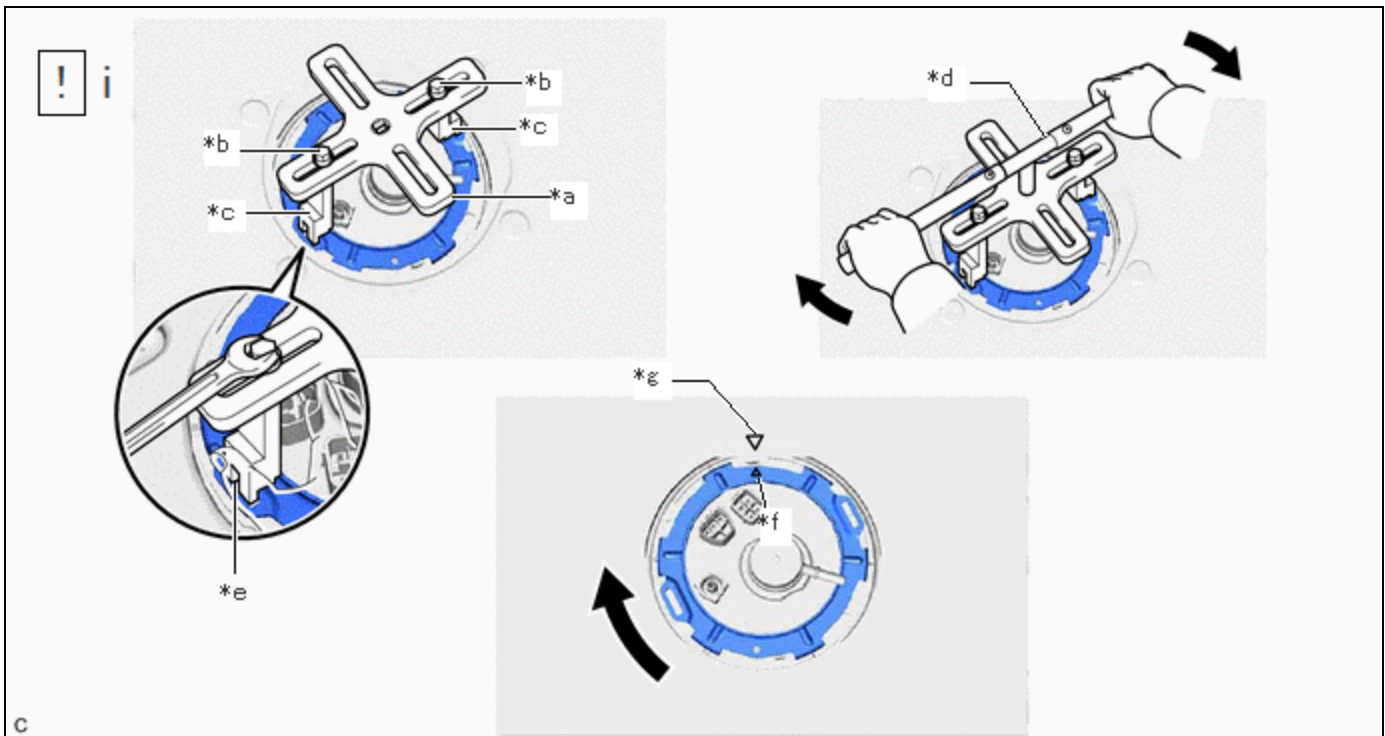
- (1) Install a new No. 1 fuel suction tube set gasket to the fuel tank sub-assembly.
- (2) Set the fuel suction tube with pump and gauge assembly to the fuel tank sub-assembly.

NOTICE:

Be careful not to bend the arm of the fuel sender gauge assembly.

- (3) Align the protrusions of the fuel suction tube with pump and gauge assembly with the notches in the fuel tank sub-assembly.

2. INSTALL FUEL PUMP GAUGE RETAINER



*a	SST (Plate)	*b	SST (Bolt)
*c	SST (Claw)	*d	SST (Handle)
*e	Insertion Point	*f	Triangle Mark (Fuel Pump Gauge Retainer)
*g	Triangle Mark (Fuel Tank Sub-assembly)	-	-

(1) Install the fuel pump gauge retainer.

1. While pressing down on the fuel suction tube with pump and gauge assembly, temporarily install the fuel pump gauge retainer.
2. Temporarily install SST (plate) and SST (claw) to the fuel pump gauge retainer.

SST: 09808-01071

SST: 09808-14031

09808-01030

09808-01090

HINT:

Securely insert the ends of SST (claw) into the insertion points in the fuel pump gauge retainer.

3. While firmly pressing SST (claw) into the insertion points in the fuel pump gauge retainer, tighten SST (bolt).
4. Install SST (handle) to SST (plate).

SST: 09808-14031

09808-01010

09808-01030

09808-01090

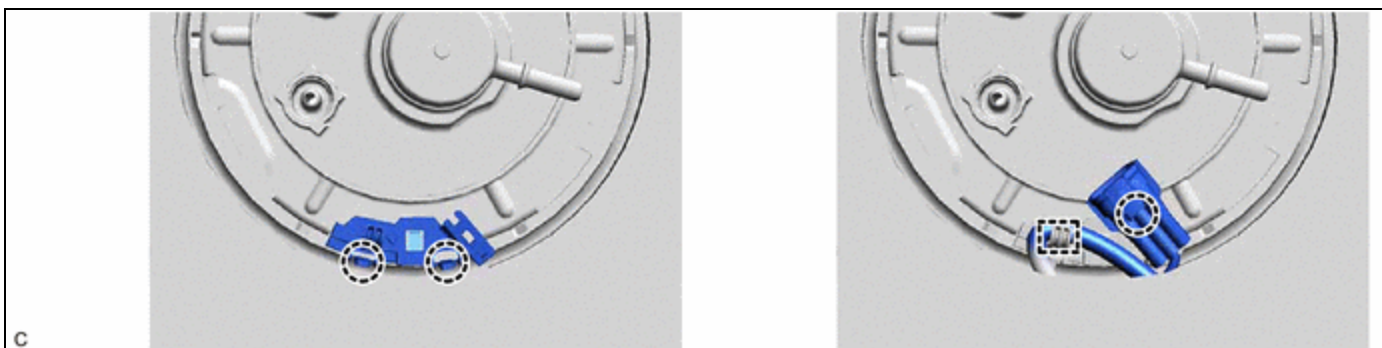
SST: 09808-01071

5. Using SST, rotate the fuel pump gauge retainer so that the triangle mark on the fuel pump gauge retainer is aligned with the triangle mark on the fuel tank sub-assembly to install the fuel suction tube with pump and gauge assembly to the fuel tank sub-assembly.

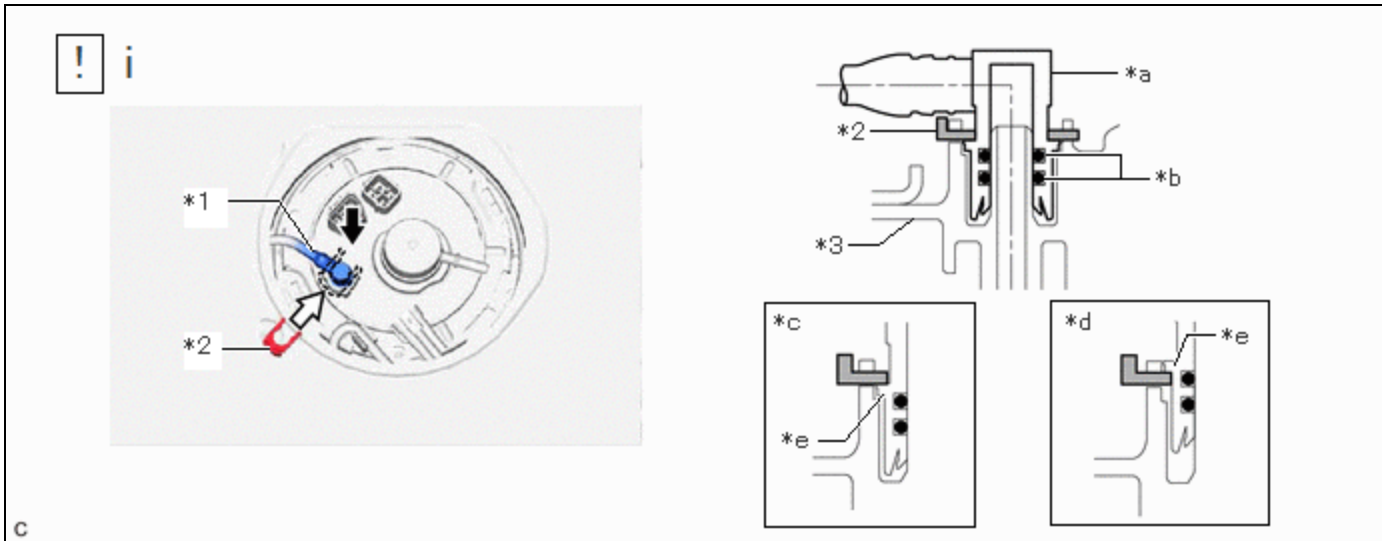
NOTICE:

- Do not use any tools other than specified as this may result in damage to the fuel pump gauge retainer or fuel tank sub-assembly.
- Do not press down on SST excessively as this may make the fuel pump gauge retainer hard to rotate, and may damage components.
- Make sure to rotate SST (handle) horizontally. If it is rotated at an angle, SST may come off.
- Do not spin SST too fast or use an impact wrench as this may result in damage to components.
- If SST comes off of the fuel pump gauge retainer, loosen SST (bolt) and reinstall SST.
- Make sure that the No. 1 fuel suction tube set gasket does not come off.

3. INSTALL NO. 1 FUEL TUBE CLAMP



4. CONNECT FUEL TANK MAIN TUBE SUB-ASSEMBLY



*1	Fuel Tank Main Tube Sub-assembly	*2	Tube Joint Clip
*3	Fuel Suction Plate Sub-assembly	-	-
*a	Fuel Tube Joint	*b	O-ring
*c	Correct	*d	Incorrect
*e	Collar	-	-
	Insert		Insert

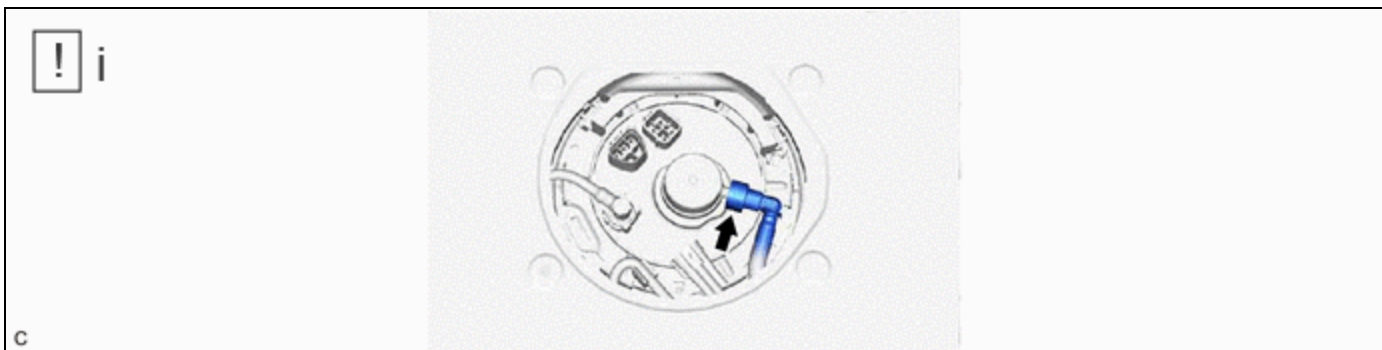
(1) Push the fuel tube joint onto the plug of the fuel suction plate sub-assembly, then install the tube joint clip.

NOTICE:

- Check that there are no scratches or foreign matter around the connecting parts of the fuel tube joint and plug before performing this work.
- Check that the fuel tube joint is securely inserted to the end.
- Check that the tube joint clip is on the collar of the fuel tube joint.
- After installing the tube joint clip, check that the fuel tank main tube sub-assembly is securely connected by pulling on it.

5. INSTALL NO. 4 FUEL TUBE CLAMP

6. CONNECT FUEL TANK EVAPORATION VENT TUBE SUB-ASSEMBLY



(1) Connect the fuel tank evaporation vent tube sub-assembly to the fuel suction tube with pump and gauge assembly.

Click here [INFO](#)

7. INSTALL NO. 1 REAR FLOOR SERVICE HOLE COVER**8. INSTALL DECK FLOOR BOX LH**Click here [INFO](#)**9. INSTALL DECK FLOOR BOX RH**Click here [INFO](#)**10. INSTALL DECK BOARD ASSEMBLY**Click here [INFO](#)**11. CONNECT CABLE TO NEGATIVE AUXILIARY BATTERY TERMINAL**Click here [INFO](#)**12. INSTALL BATTERY SERVICE HOLE COVER ASSEMBLY**

	Click here INFO
---	---------------------------------

13. INSPECT FOR FUEL LEAKClick here [INFO](#)**14. PERFORM INITIALIZATION**

(a) Perform "Inspection After Repair" after replacing the fuel pump with filter assembly.

Click here [INFO](#)**15. INITIALIZATION AFTER RECONNECTING AUXILIARY BATTERY TERMINAL****HINT:**

When disconnecting and reconnecting the auxiliary battery, there is an automatic learning function that completes learning when the respective system is used.

Click here [INFO](#)