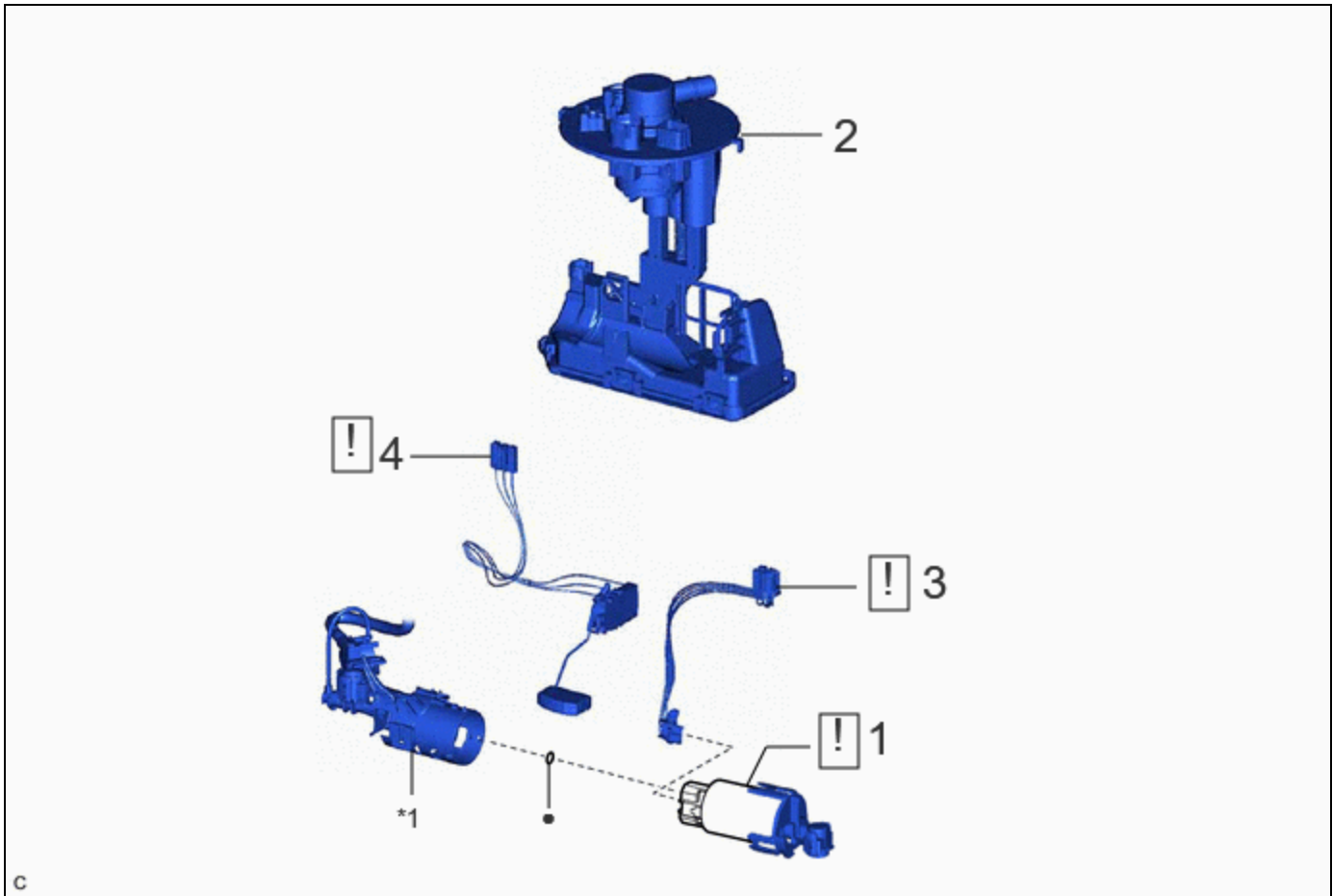


<b>Last Modified:</b> 12-04-2024	6.11:8.1.0	<b>Doc ID:</b> RM1000000029ZXO
<b>Model Year Start:</b> 2023	<b>Model:</b> Prius	<b>Prod Date Range:</b> [12/2022 - ]
<b>Title:</b> M20A-FXS (FUEL): FUEL PUMP (for HEV Model): REASSEMBLY; 2023 - 2024 MY Prius [12/2022 - ]		

## REASSEMBLY

## CAUTION / NOTICE / HINT

### COMPONENTS (REASSEMBLY)

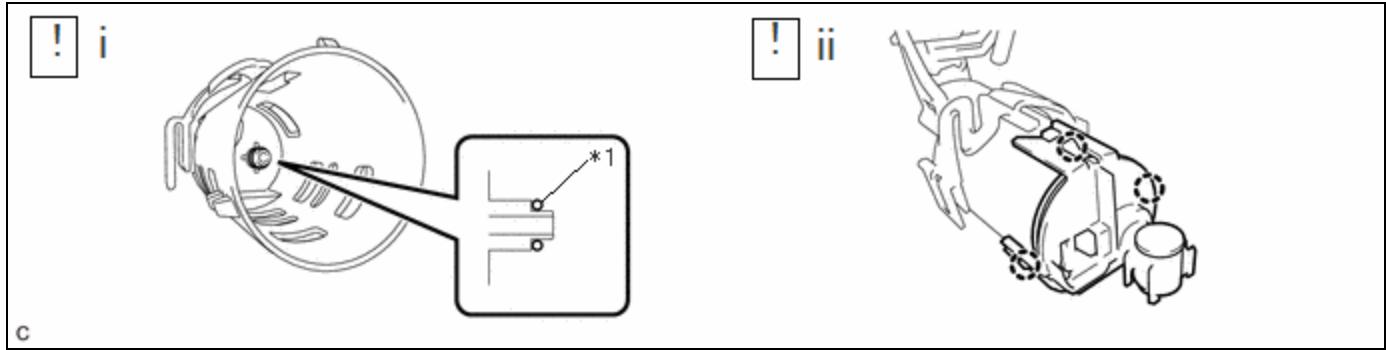


	PROCEDURE	PART NAME CODE			
1	FUEL PUMP	23221	<a href="#">INFO</a>	-	-
2	FUEL SUCTION PLATE SUB-ASSEMBLY	77024A	-	-	-
3	FUEL PUMP HARNESS	77785	<a href="#">INFO</a>	-	-
4	FUEL SENDER GAUGE ASSEMBLY	83320	<a href="#">INFO</a>	-	-

*1	SUPPORT SUB-ASSEMBLY	-	-
•	Non-reusable part	-	-

# PROCEDURE

## 1. INSTALL FUEL PUMP



*1	O-ring	-	-
----	--------	---	---

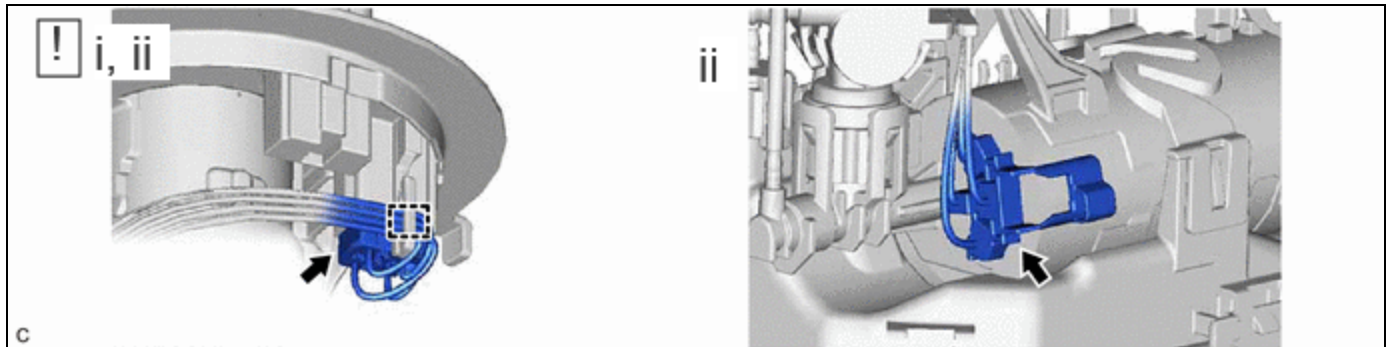
- (1) Install a new O-ring to the support sub-assembly.
- (2) Engage the 3 claws and install the fuel pump to the support sub-assembly.

**NOTICE:**

Make sure that the O-ring is not cut or pinched during installation.

## 2. CONNECT FUEL SUCTION PLATE SUB-ASSEMBLY

## 3. INSTALL FUEL PUMP HARNESS




- (1) Engage the clamp to install the fuel pump harness to the fuel suction plate sub-assembly.

**NOTICE:**

- Do not damage the wire harness.
- When engaging each wire harness to the clamp, engage one wire at a time.

- (2) Connect the 2 fuel pump harness connectors.

## 4. INSTALL FUEL SENDER GAUGE ASSEMBLY

	Click here <a href="#" style="background-color: #0056b3; color: white; padding: 2px 5px; text-decoration: none;">INFO</a>
---	---

