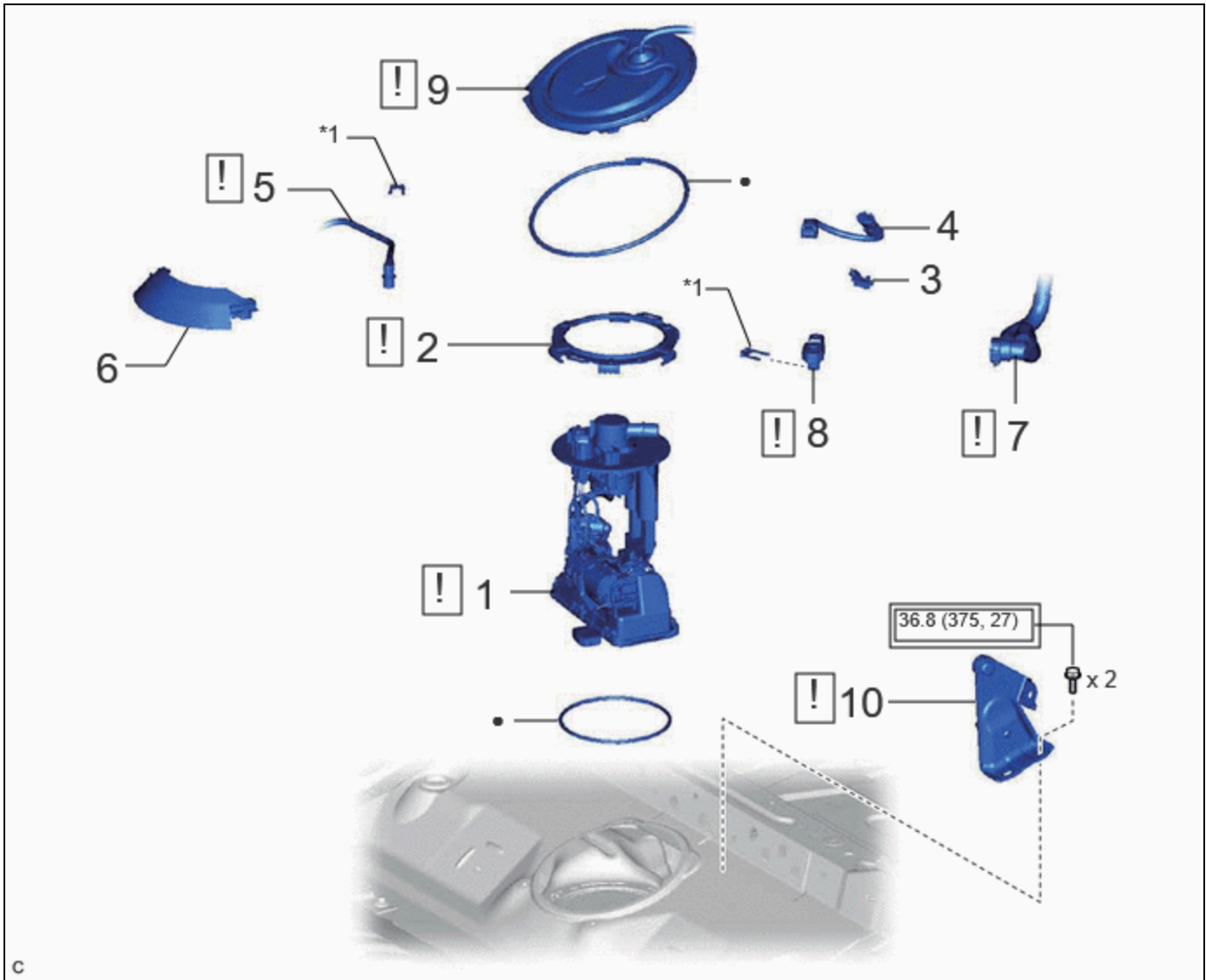


<b>Last Modified:</b> 12-04-2024	6.11:8.1.0	<b>Doc ID:</b> RM1000000029ZXL
<b>Model Year Start:</b> 2023	<b>Model:</b> Prius	<b>Prod Date Range:</b> [12/2022 - ]
<b>Title:</b> M20A-FXS (FUEL): FUEL PUMP (for HEV Model): INSTALLATION; 2023 - 2024 MY Prius [12/2022 - ]		




## INSTALLATION


### CAUTION / NOTICE / HINT

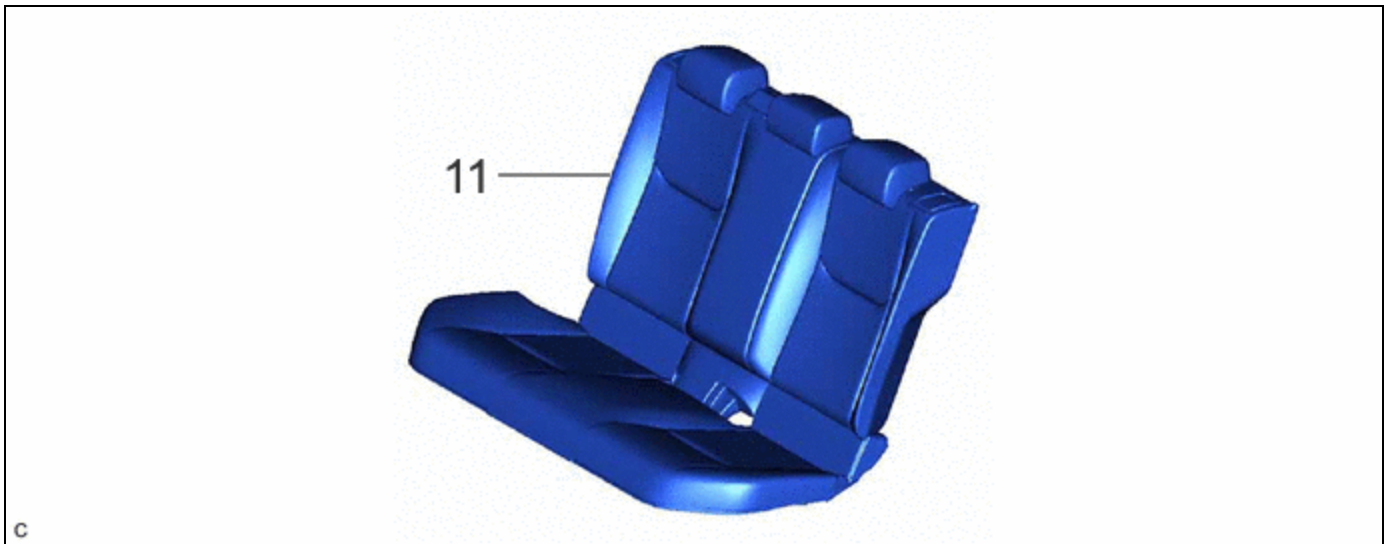
#### COMPONENTS (INSTALLATION)






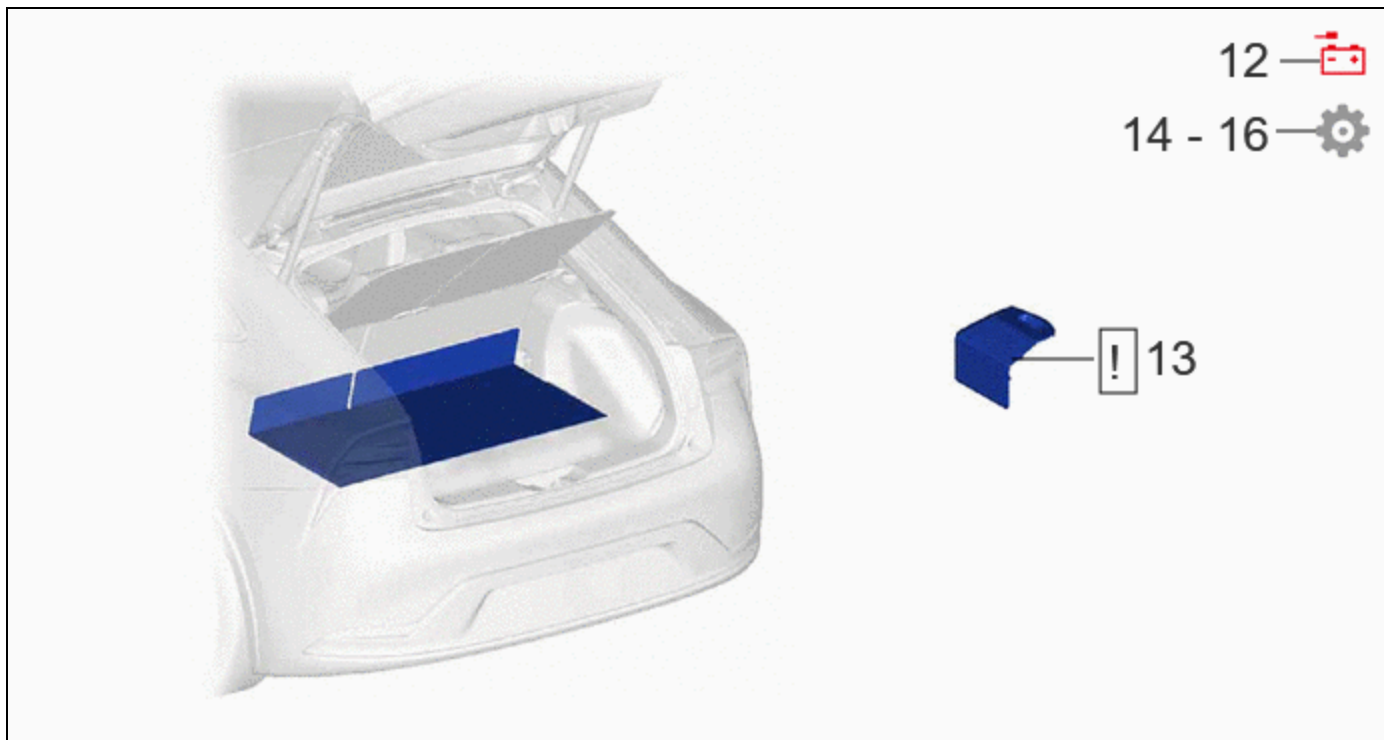
PROCEDURE		PART NAME CODE			
1	FUEL SUCTION TUBE WITH PUMP AND GAUGE ASSEMBLY	77020A	<a href="#">INFO</a>	-	-
2	FUEL PUMP GAUGE RETAINER	77144	<a href="#">INFO</a>	-	-

PROCEDURE		PART NAME CODE			
3	NO. 1 FUEL TUBE CLAMP	77285M	-	-	-
4	FUEL GAUGE WIRE	82412	-	-	-
5	FUEL TANK MAIN TUBE SUB-ASSEMBLY	77209F	INFO	-	-
6	NO. 1 FUEL TUBE CLAMP	77285F	-	-	-
7	FUEL TANK VENT HOSE SUB-ASSEMBLY	77404	INFO	-	-
8	FUEL TANK PRESSURE SENSOR (VAPOR PRESSURE SENSOR)	89461	INFO	-	-
9	REAR FLOOR SERVICE HOLE COVER	58325E	INFO	-	-
10	CENTER REAR SEAT BACK HINGE SUB-ASSEMBLY	71305A	INFO	-	-

*1	TUBE JOINT CLIP	-	-
	Tightening torque for "Major areas involving basic vehicle performance such as moving/turning/stopping": N*m (kgf*cm, ft.*lbf)		• Non-reusable part



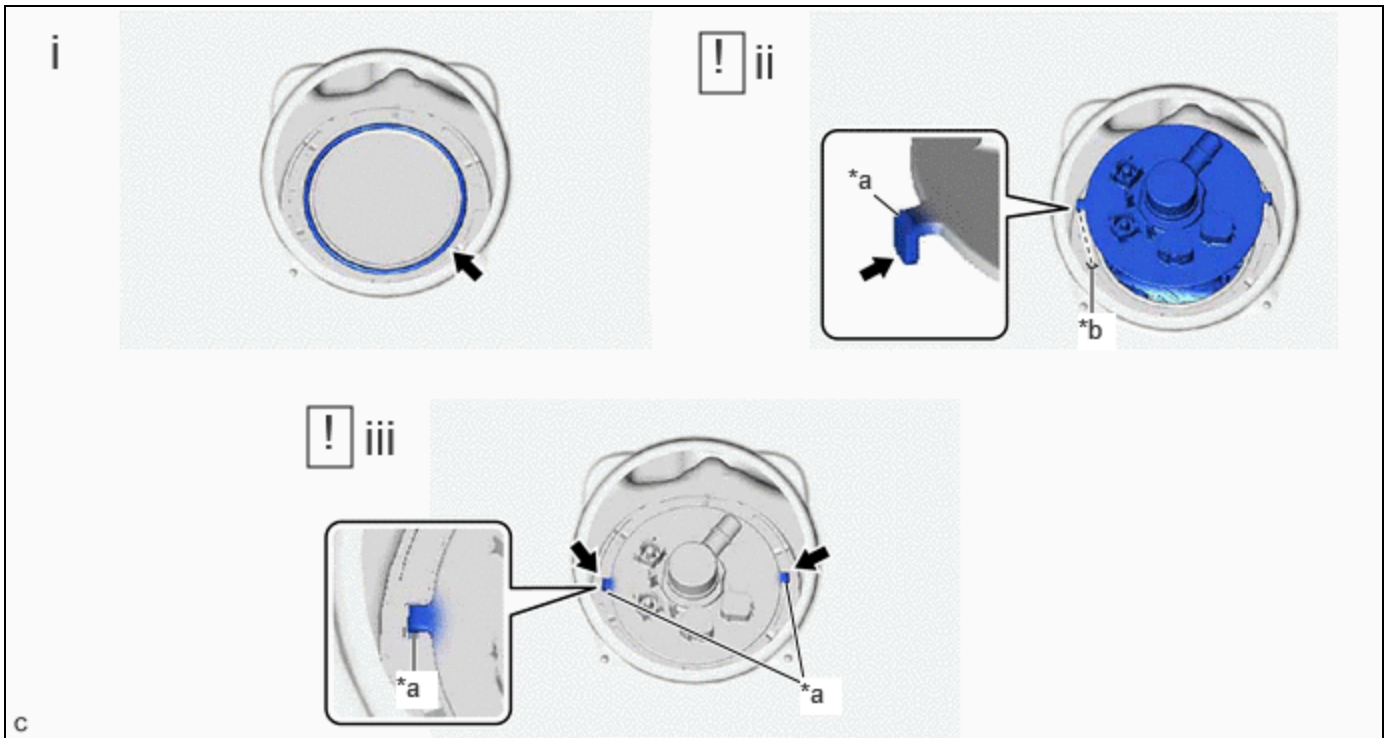
PROCEDURE		PART NAME CODE			
11	REAR SEAT ASSEMBLY	-	-	-	-



	PROCEDURE	PART NAME CODE			
12	CONNECT CABLE TO NEGATIVE AUXILIARY BATTERY TERMINAL	-	-	-	-
13	BATTERY SERVICE HOLE COVER ASSEMBLY	58440	<a href="#">INFO</a>	-	-
14	INSPECT FOR FUEL LEAK	-	-	-	<a href="#">INFO</a>
15	PERFORM INITIALIZATION	-	-	-	<a href="#">INFO</a>
16	INITIALIZATION AFTER RECONNECTING AUXILIARY BATTERY TERMINAL	-	-	-	<a href="#">INFO</a>

## PROCEDURE

### 1. INSTALL FUEL SUCTION TUBE WITH PUMP AND GAUGE ASSEMBLY

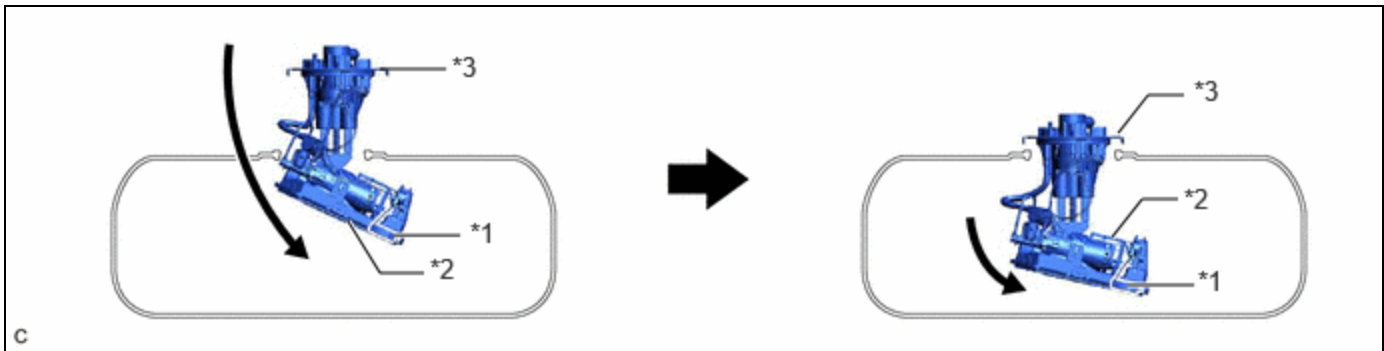


*a	Protrusion	*b	Notch
----	------------	----	-------

- (1) Install a new fuel suction tube set gasket to the fuel tank sub-assembly.
- (2) Set the fuel suction tube with pump and gauge assembly to the fuel tank sub-assembly.

**NOTICE:**

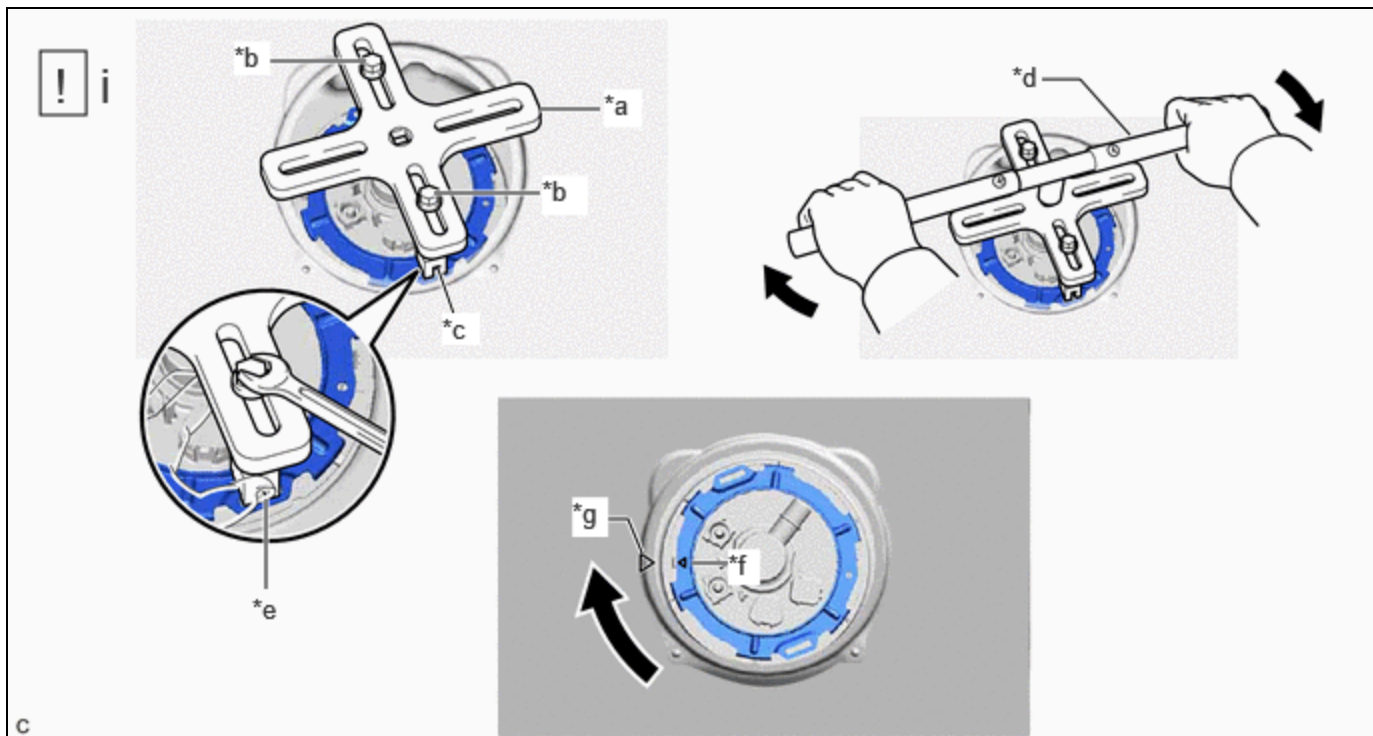
- Be careful not to bend the arm of the fuel sender gauge assembly.
- To avoid applying excessive force to the tip of the fuel sender gauge assembly, tilt the fuel sub-tank sub-assembly diagonally and insert it into the fuel tank sub-assembly as shown in the illustration.



*1	Fuel Sender Gauge Assembly	*2	Fuel Sub-tank Sub-assembly
*3	Fuel Suction Plate Sub-assembly	-	-

- (3) Align the protrusions of the fuel suction tube with pump and gauge assembly with the notches in the fuel tank sub-assembly.

**2. INSTALL FUEL PUMP GAUGE RETAINER**



*a	SST (Plate)	*b	SST (Bolt)
*c	SST (Claw)	*d	SST (Handle)
*e	Insertion Point	*f	Triangle Mark (Fuel Pump Gauge Retainer)
*g	Triangle Mark (Fuel Tank Sub-assembly)	-	-

(1) Install the fuel pump gauge retainer.

1. While pressing down on the fuel suction tube with pump and gauge assembly, temporarily install the fuel pump gauge retainer.
2. Temporarily install SST (plate) and SST (claw) to the fuel pump gauge retainer.

**SST: 09808-01071**

**SST: 09808-14031**

09808-01030

09808-01090

**HINT:**

Securely insert the ends of SST (claw) into the insertion points in the fuel pump gauge retainer.

3. While firmly pressing SST (claw) into the insertion points in the fuel pump gauge retainer, tighten SST (bolt).
4. Install SST (handle) to SST (plate).

**SST: 09808-14031**

09808-01010

5. Using SST, rotate the fuel pump gauge retainer so that the triangle mark on the fuel pump gauge retainer is aligned with the triangle mark on the fuel tank sub-assembly to install the fuel suction tube with pump and gauge assembly to the fuel tank sub-assembly.

**NOTICE:**

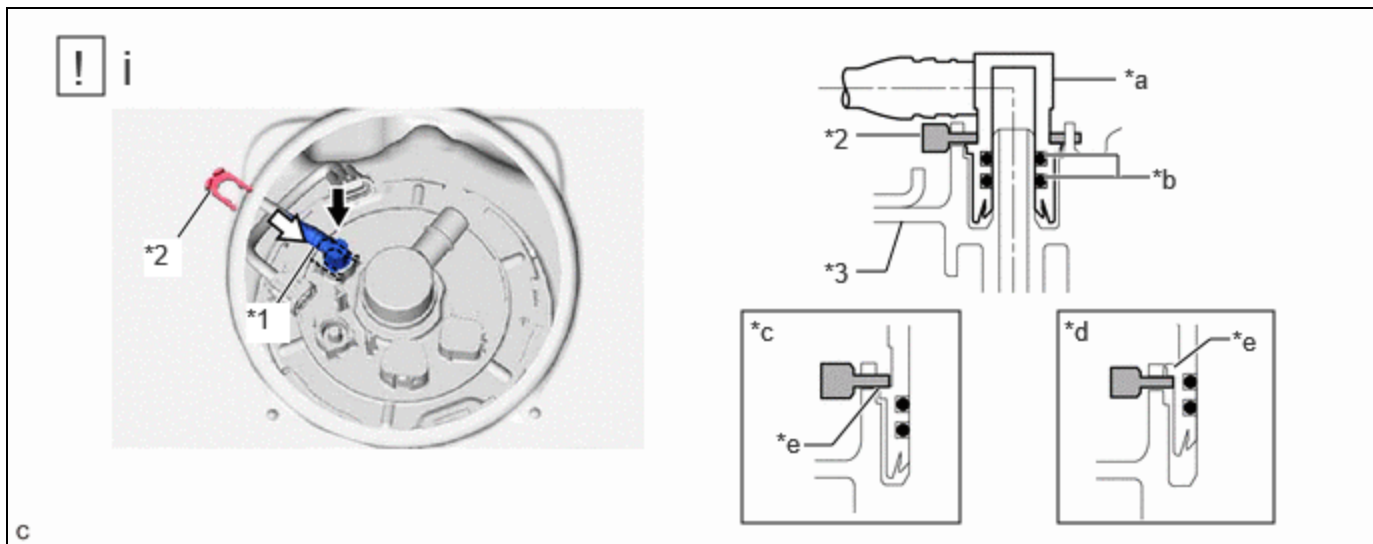
- Do not use any tools other than specified as this may result in damage to the fuel pump gauge retainer or fuel tank sub-assembly.

- Do not press down on SST excessively as this may make the fuel pump gauge retainer hard to rotate, and may damage components.
- Make sure to rotate SST (handle) horizontally. If it is rotated at an angle, SST may come off.
- Do not spin SST too fast or use an impact wrench as this may result in damage to components.
- If SST comes off of the fuel pump gauge retainer, loosen SST (bolt) and reinstall SST.
- Make sure that the fuel suction tube set gasket does not come off.

**3. INSTALL NO. 1 FUEL TUBE CLAMP**

**4. INSTALL FUEL GAUGE WIRE**

**5. CONNECT FUEL TANK MAIN TUBE SUB-ASSEMBLY**



*1	Fuel Tank Main Tube Sub-assembly	*2	Tube Joint Clip
*3	Fuel Suction Plate Sub-assembly	-	-
*a	Fuel Tube Joint	*b	O-ring
*c	Correct	*d	Incorrect
*e	Collar	-	-
	Insert		Insert

(1) Push the fuel tube joint onto the plug of the fuel suction plate sub-assembly, then install the tube joint clip.

**NOTICE:**

- Check that there are no scratches or foreign matter around the connecting parts of the fuel tube joint and plug before performing this work.
- Check that the fuel tube joint is securely inserted to the end.
- Check that the tube joint clip is on the collar of the fuel tube joint.
- After installing the tube joint clip, check that the fuel tank main tube sub-assembly is securely connected by pulling on it.

**6. INSTALL NO. 1 FUEL TUBE CLAMP**

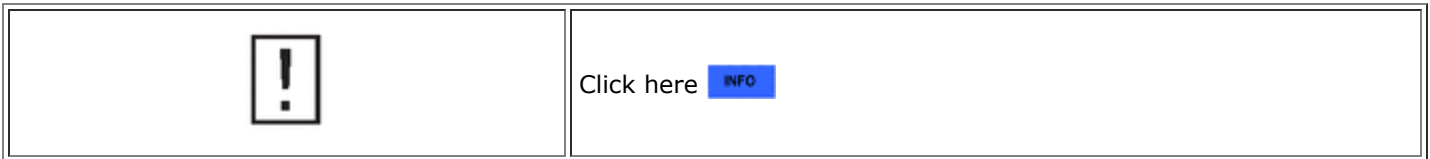
**7. CONNECT FUEL TANK VENT HOSE SUB-ASSEMBLY**



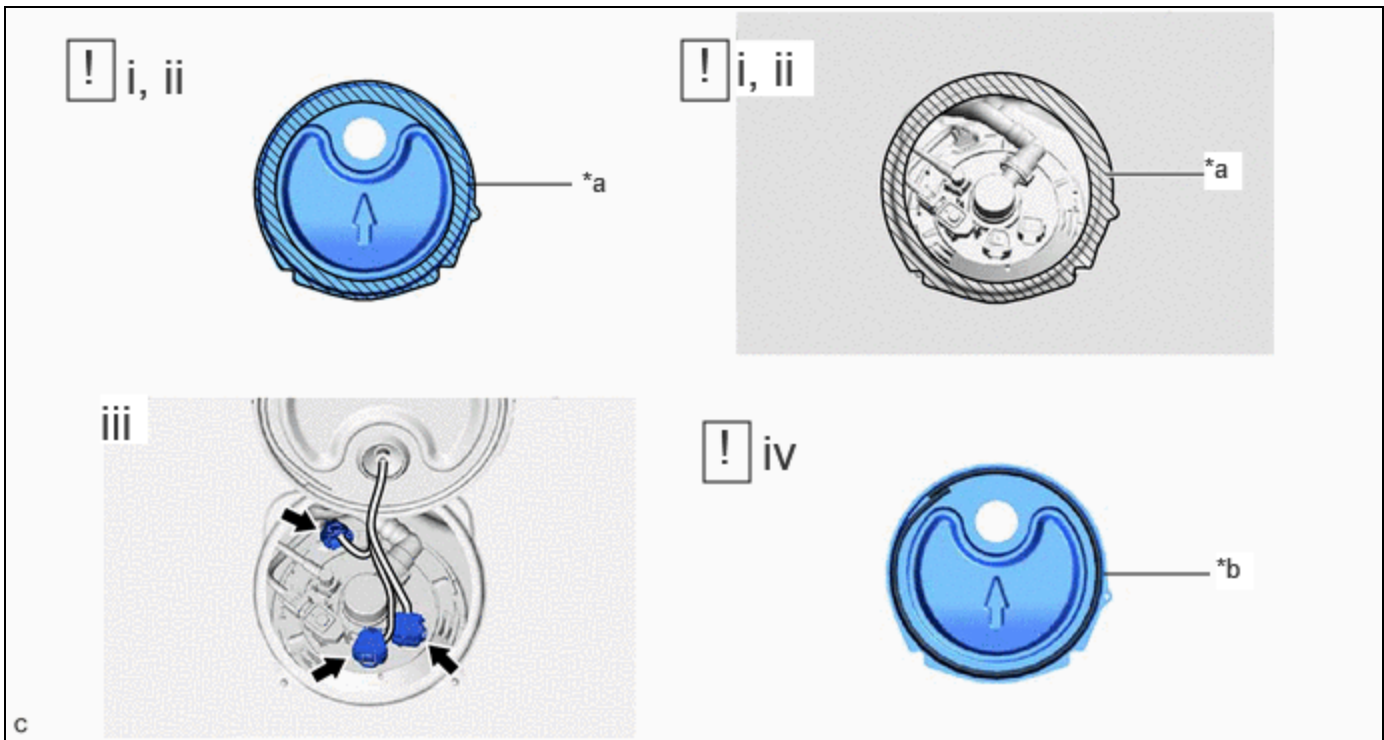
(1) Connect the fuel tank vent hose sub-assembly to the fuel suction tube with pump and gauge assembly.

Click here [INFO](#)

**8. INSTALL FUEL TANK PRESSURE SENSOR (VAPOR PRESSURE SENSOR)**



**9. INSTALL REAR FLOOR SERVICE HOLE COVER**



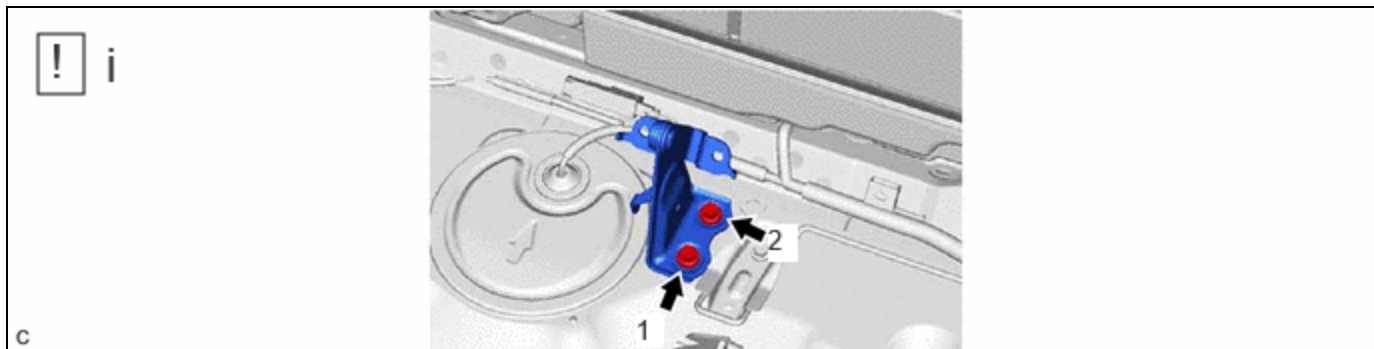
*a	Cleaning Area	*b	Butyl Tape Adhesion Area
----	---------------	----	--------------------------

- (1) Remove any remaining butyl tape from the rear floor service hole cover and vehicle body.
- (2) Clean the installation surfaces of the rear floor service hole cover and vehicle body.
- (3) Connect the 3 fuel suction tube with pump and gauge assembly connectors.
- (4) Install the rear floor service hole cover with new butyl tape.

**NOTICE:**

Securely install the rear floor service hole cover.

## 10. INSTALL CENTER REAR SEAT BACK HINGE SUB-ASSEMBLY



(1) Install the center rear seat back hinge sub-assembly with the 2 bolts in the order shown in the illustration.

### Torque:

**36.8 N·m {375 kgf·cm, 27 ft·lbf}**

## 11. INSTALL REAR SEAT ASSEMBLY

Click here [INFO](#)

## 12. CONNECT CABLE TO NEGATIVE AUXILIARY BATTERY TERMINAL

Click here [INFO](#)

## 13. INSTALL BATTERY SERVICE HOLE COVER ASSEMBLY



## 14. INSPECT FOR FUEL LEAK

Click here [INFO](#)

## 15. PERFORM INITIALIZATION

(a) Perform "Inspection After Repair" after replacing the fuel pump.

Click here [INFO](#)

## 16. INITIALIZATION AFTER RECONNECTING AUXILIARY BATTERY TERMINAL

### HINT:

When disconnecting and reconnecting the auxiliary battery, there is an automatic learning function that completes learning when the respective system is used.

Click here [INFO](#)

