

Last Modified: 12-04-2024	6.11:8.1.0	Doc ID: RM100000002B0HQ
Model Year Start: 2023	Model: Prius Prime	Prod Date Range: [03/2023 -]
Title: M20A-FXS (FUEL): FUEL MAIN VALVE (for PHEV Model): REMOVAL; 2023 - 2024 MY Prius Prime [03/2023 -]		

REMOVAL

CAUTION / NOTICE / HINT

The necessary procedures (adjustment, calibration, initialization or registration) that must be performed after parts are removed and installed, or replaced during fuel main valve assembly removal/installation are shown below.

CAUTION:

- Never perform work on fuel system components near any possible ignition sources.



- Vaporized fuel could ignite, resulting in a serious accident.
- Do not perform work on fuel system components without first disconnecting the cable from the negative (-) auxiliary battery terminal.



- Sparks could cause vaporized fuel to ignite, resulting in a serious accident.

NOTICE:

After the ignition switch is turned off, there may be a waiting time before disconnecting the negative (-) auxiliary battery terminal.

Click here [INFO](#)

HINT:

When the cable is disconnected / reconnected to the auxiliary battery terminal, systems temporarily stop operating. However, each system has a function that completes learning the first time the system is used.

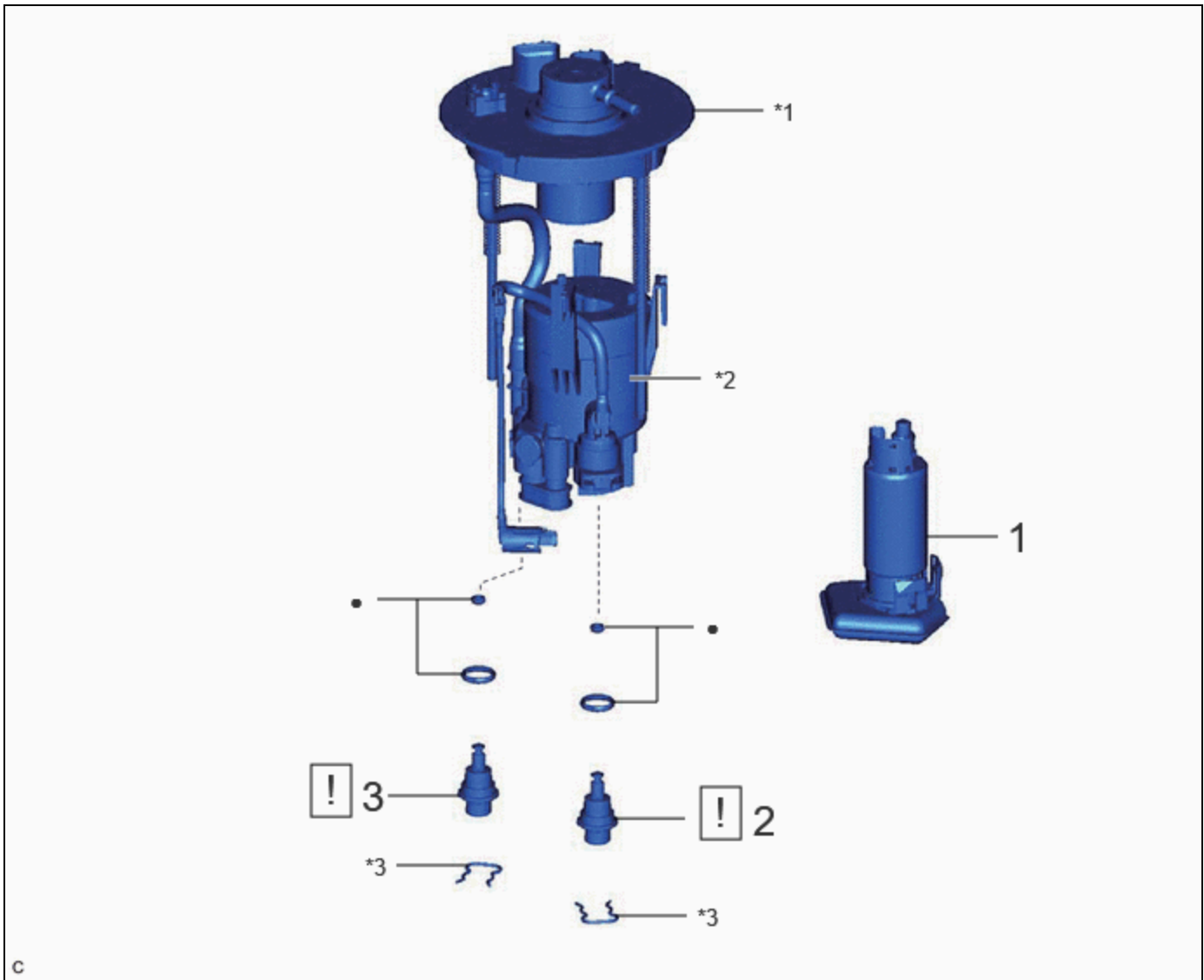
Learning completes when vehicle is driven

EFFECT/INOPERATIVE FUNCTION WHEN NECESSARY PROCEDURE NOT PERFORMED	NECESSARY PROCEDURE	LINK
Front Camera System	Drive the vehicle straight ahead at 35 km/h (22 mph) or more for 5 seconds or more.	INFO

Learning completes when vehicle is operated normally

EFFECT/INOPERATIVE FUNCTION WHEN NECESSARY PROCEDURE NOT PERFORMED	NECESSARY PROCEDURE	LINK
Power Door Lock Control System*1 <ul style="list-style-type: none"> Back door opener 	Perform door unlock operation with door control switch or electrical key transmitter sub-assembly switch.	INFO
Power Back Door System*2	Reset back door close position	INFO
Air Conditioning System	After the ignition switch is turned to ON, the servo motor and cooler expansion valve standard position is recognized.	-
*1: w/o Power Back Door System		
*2: w/ Power Back Door System		

CAUTION / NOTICE / HINT**COMPONENTS (REMOVAL)**



PROCEDURE		PART NAME CODE			
1	FUEL PUMP WITH FILTER ASSEMBLY	23220A	-	-	-
2	FUEL MAIN VALVE ASSEMBLY	23070	INFO	-	-
3	NO. 2 FUEL MAIN VALVE ASSEMBLY	23070D	INFO	-	-

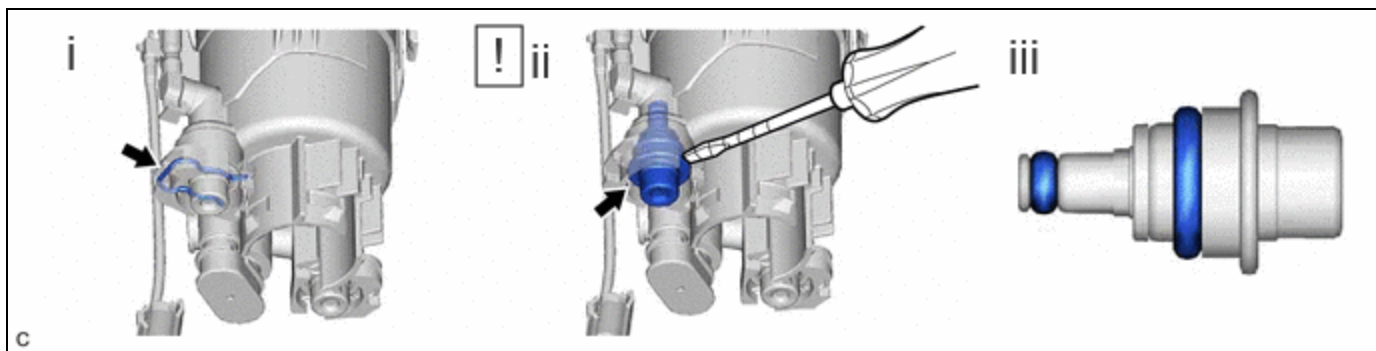
*1	FUEL SUCTION PLATE SUB-ASSEMBLY	*2	FUEL FILTER
*3	CLIP	-	-
•	Non-reusable part	-	-

PROCEDURE

1. REMOVE FUEL PUMP WITH FILTER ASSEMBLY

Click here [INFO](#)

2. REMOVE FUEL MAIN VALVE ASSEMBLY



(1) Remove the clip from the fuel filter.

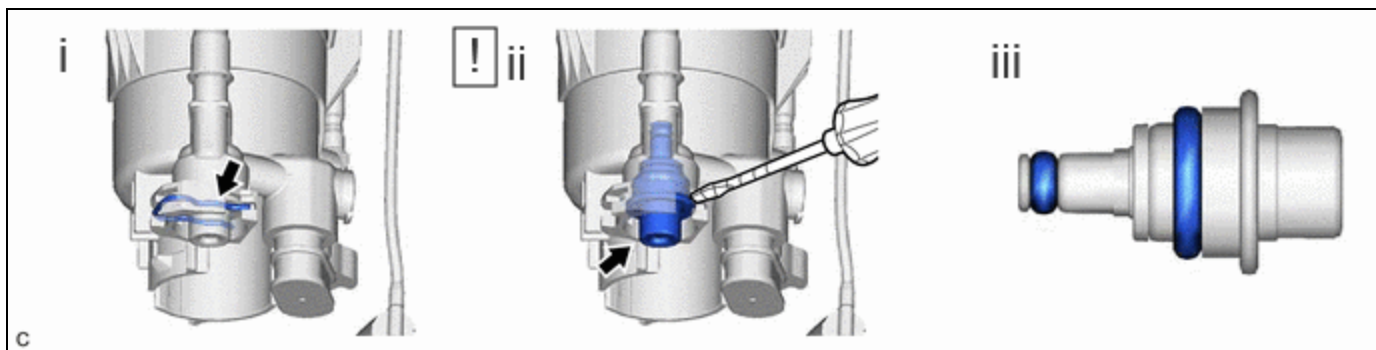
(2) Using a screwdriver with its tip wrapped with protective tape, remove the fuel main valve assembly from the fuel filter.

NOTICE:

- Pull out the fuel main valve assembly carefully because the O-rings are firmly installed between the fuel main valve assembly and fuel filter.
- Do not damage the fuel filter.

(3) Remove the 2 O-rings from the fuel main valve assembly.

3. REMOVE NO. 2 FUEL MAIN VALVE ASSEMBLY



(1) Remove the clip from the fuel filter.

(2) Using a screwdriver with its tip wrapped with protective tape, remove the No. 2 fuel main valve assembly from the fuel filter.

NOTICE:

- Pull out the No. 2 fuel main valve assembly carefully because the O-rings are firmly installed between the No. 2 fuel main valve assembly and fuel filter.
- Do not damage the fuel filter.

(3) Remove the 2 O-rings from the No. 2 fuel main valve assembly.

