

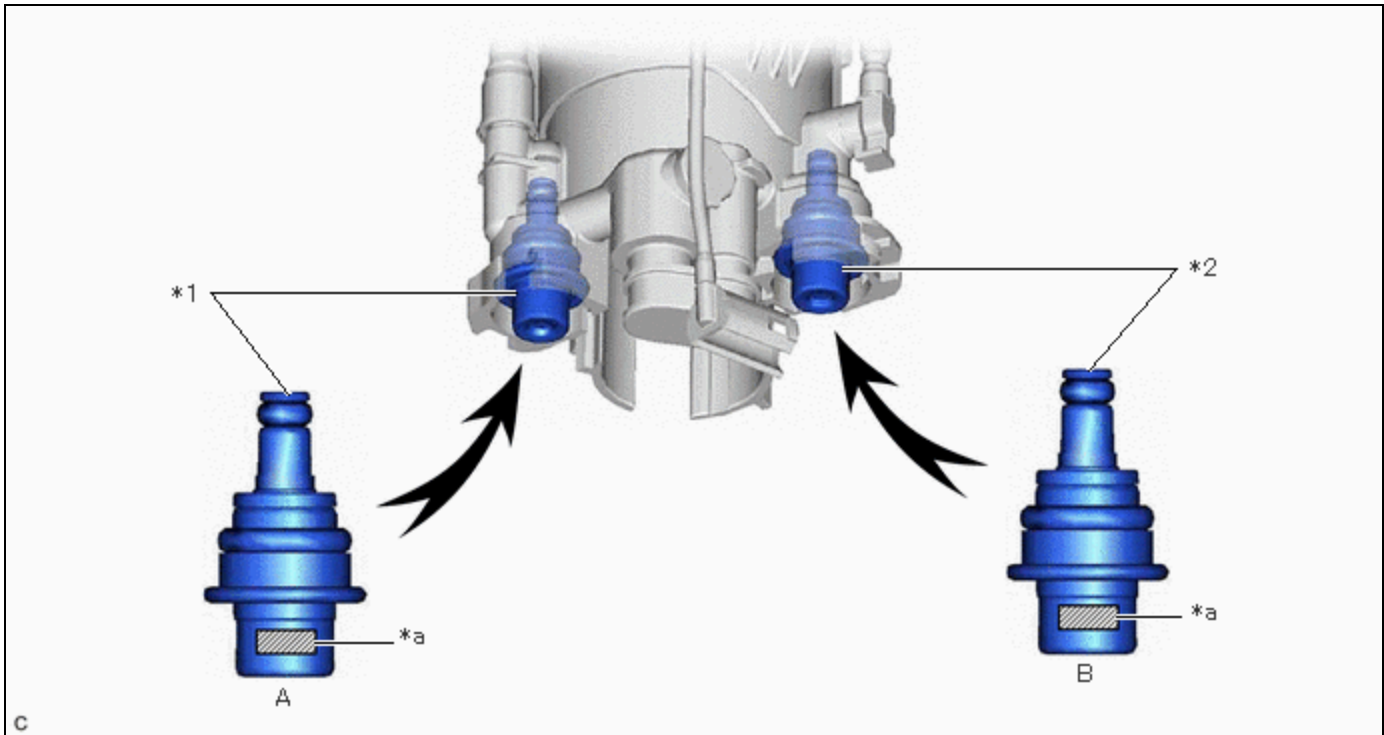
Last Modified: 12-04-2024	6.11:8.1.0	Doc ID: RM100000002B0HP
Model Year Start: 2023	Model: Prius Prime	Prod Date Range: [03/2023 -]
Title: M20A-FXS (FUEL): FUEL MAIN VALVE (for PHEV Model): INSTALLATION; 2023 - 2024 MY Prius Prime [03/2023 -]		

INSTALLATION

CAUTION / NOTICE / HINT

NOTICE:

The No. 2 fuel main valve assembly (for High Pressure) and fuel main valve assembly (for Low Pressure) have identification marks (part numbers). If the parts are installed in the incorrect positions, the engine may stall. Therefore, make sure to install the parts in the correct positions.

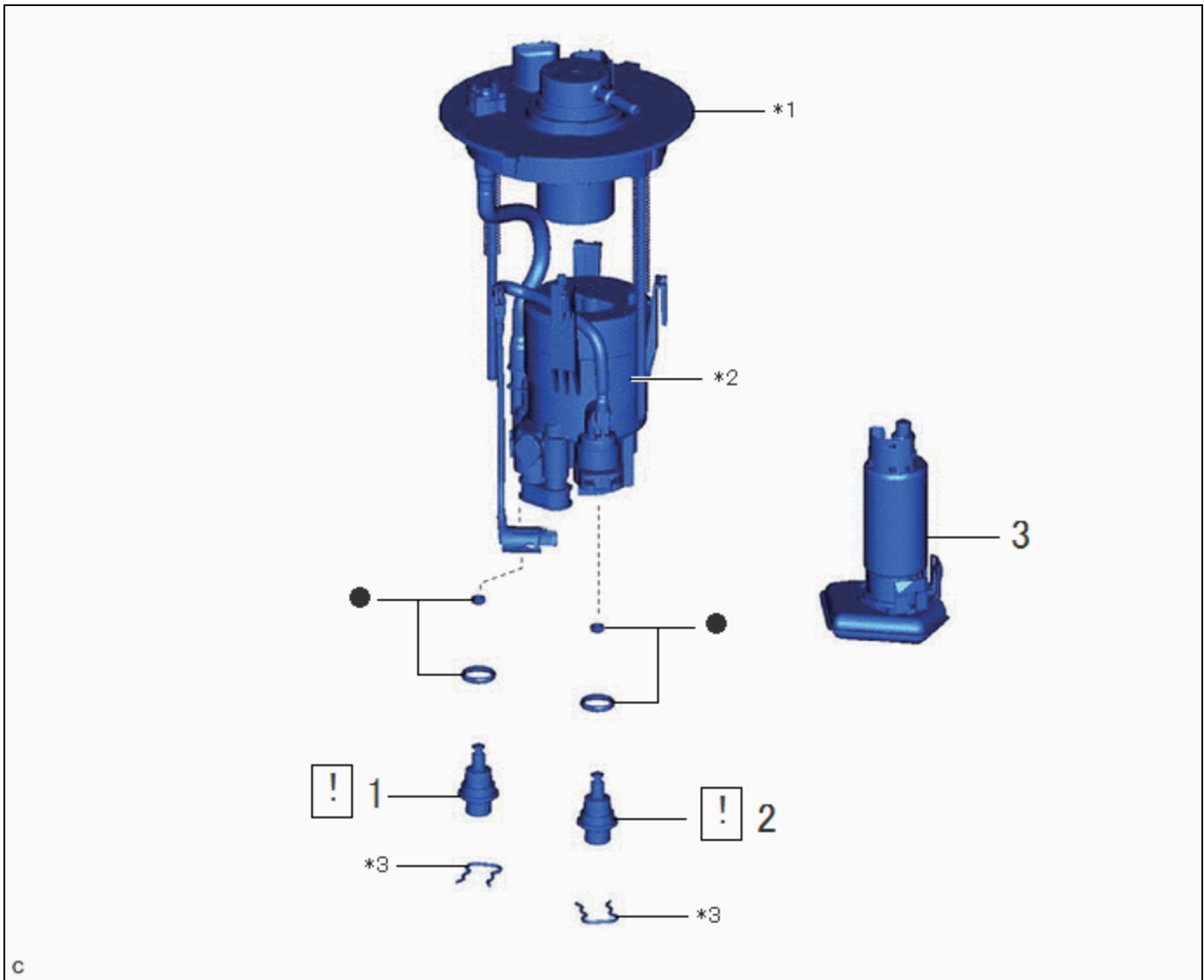


*1	No. 2 Fuel Main Valve Assembly (for High Pressure)	*2	Fuel Main Valve Assembly (for Low Pressure)
*a	Identification Mark (Part Number)	-	-

A	No. 2 Fuel Main Valve Assembly (for High Pressure)	23070-36***
B	Fuel Main Valve Assembly (for Low Pressure)	23070-31***

CAUTION / NOTICE / HINT

COMPONENTS (INSTALLATION)

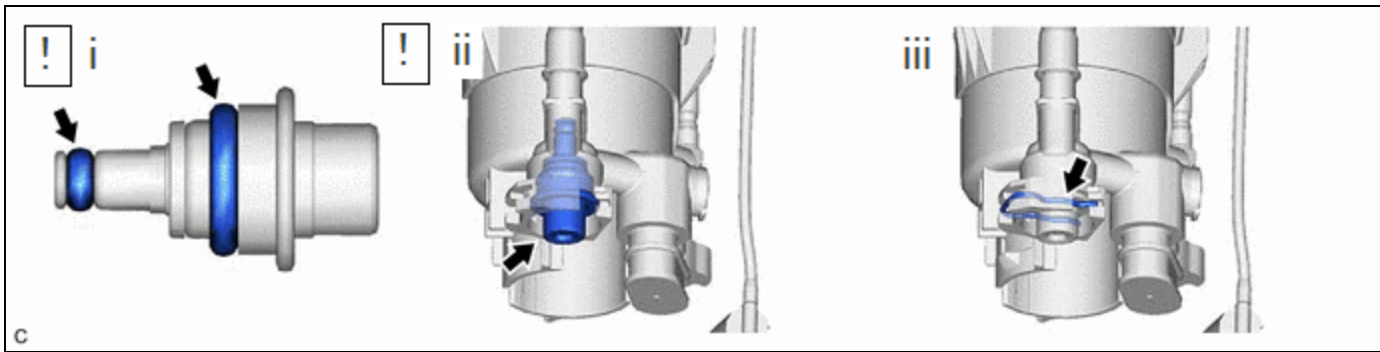


PROCEDURE		PART NAME CODE			
1	NO. 2 FUEL MAIN VALVE ASSEMBLY	23070D	INFO	-	-
2	FUEL MAIN VALVE ASSEMBLY	23070	INFO	-	-
3	FUEL PUMP WITH FILTER ASSEMBLY	23220A	-	-	-

*1	FUEL SUCTION PLATE SUB-ASSEMBLY	*2	FUEL FILTER
*3	CLIP	-	-
•	Non-reusable part	-	-

PROCEDURE

1. INSTALL NO. 2 FUEL MAIN VALVE ASSEMBLY



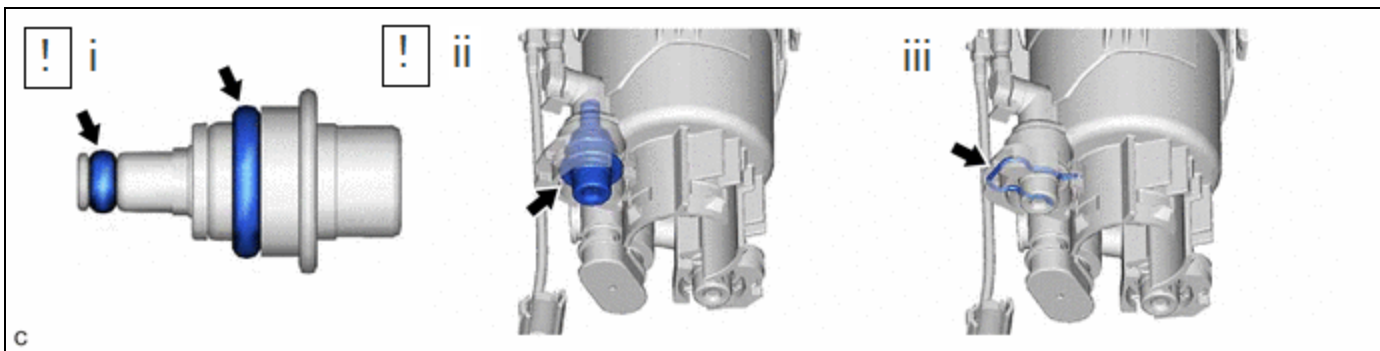
- (1) Apply gasoline to 2 new O-rings. Then install the O-rings to the No. 2 fuel main valve assembly.
- (2) Install the No. 2 fuel main valve assembly to the fuel filter.

NOTICE:

Make sure that the O-ring is not cut or pinched during installation.

- (3) Install the clip to the fuel filter.

2. INSTALL FUEL MAIN VALVE ASSEMBLY



- (1) Apply gasoline to 2 new O-rings. Then install the O-rings to the fuel main valve assembly.
- (2) Install the fuel main valve assembly to the fuel filter.

NOTICE:

Make sure that the O-ring is not cut or pinched during installation.

- (3) Install the clip to the fuel filter.

3. INSTALL FUEL PUMP WITH FILTER ASSEMBLY

Click here [INFO](#)

