

Last Modified: 12-04-2024	6.11:8.1.0	Doc ID: RM10000002BNIH
Model Year Start: 2023	Model: Prius Prime	Prod Date Range: [03/2023 -]
Title: M20A-FXS (FUEL): FUEL INJECTOR (for Port Injection): REMOVAL; 2023 - 2024 MY Prius Prius Prime [03/2023 -]		

REMOVAL

CAUTION / NOTICE / HINT

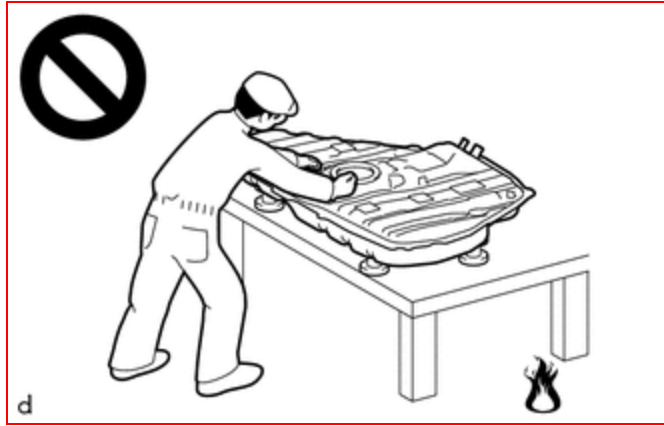
The necessary procedures (adjustment, calibration, initialization or registration) that must be performed after parts are removed and installed, or replaced during port fuel injector assembly removal/installation are shown below.

Necessary Procedures After Parts Removed/Installed/Replaced

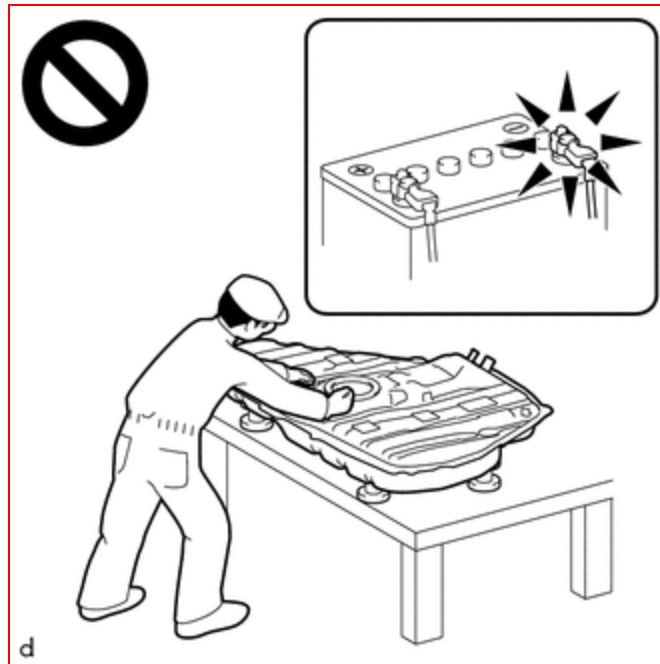
REPLACED PART OR PERFORMED PROCEDURE	NECESSARY PROCEDURE	EFFECT/INOPERATIVE FUNCTION WHEN NECESSARY PROCEDURE NOT PERFORMED	LINK
Replacement of inverter with converter assembly	ECU configuration	-	INFO
	Resolver learning	<ul style="list-style-type: none"> DTCs are stored Slight vibration at a vehicle speed of 5 km/h (3 mph) or less Shock or vibration during acceleration 	for M20A-FXS HEV model: INFO for M20A-FXS PHEV model: INFO
Replacement of ECM	Update ECU security key	Vehicle Control History (RoB) are stored	INFO
	ECU configuration	-	INFO
	Perform Vehicle Identification Number (VIN) registration	DTC is output	INFO
<ul style="list-style-type: none"> Replacement of port fuel injector assembly Replacement of No. 2 fuel pressure sensor Replacement of throttle body with motor assembly Cleaning the deposits from the throttle body with motor assembly Replacement of EGR valve assembly Gas leak from exhaust system is repaired 	Inspection after repair	<ul style="list-style-type: none"> Poor idle, etc. Engine start function, etc. 	INFO

CAUTION:

- Never perform work on fuel system components near any possible ignition sources.



- Vaporized fuel could ignite, resulting in a serious accident.
- Do not perform work on fuel system components without first disconnecting the cable from the negative (-) auxiliary battery terminal.



auxiliary battery terminal.

- Sparks could cause vaporized fuel to ignite, resulting in a serious accident.

NOTICE:

- After the ignition switch is turned off, there may be a waiting time before disconnecting the negative (-) auxiliary battery terminal.

[Click here](#) INFO

- This procedure includes the removal of small-head bolts. Refer to Small-Head Bolts of Basic Repair Hint to identify the small-head bolts.

[Click here](#) INFO

HINT:

When the cable is disconnected / reconnected to the auxiliary battery terminal, systems temporarily stop operating. However, each system has a function that completes learning the first time the system is used.

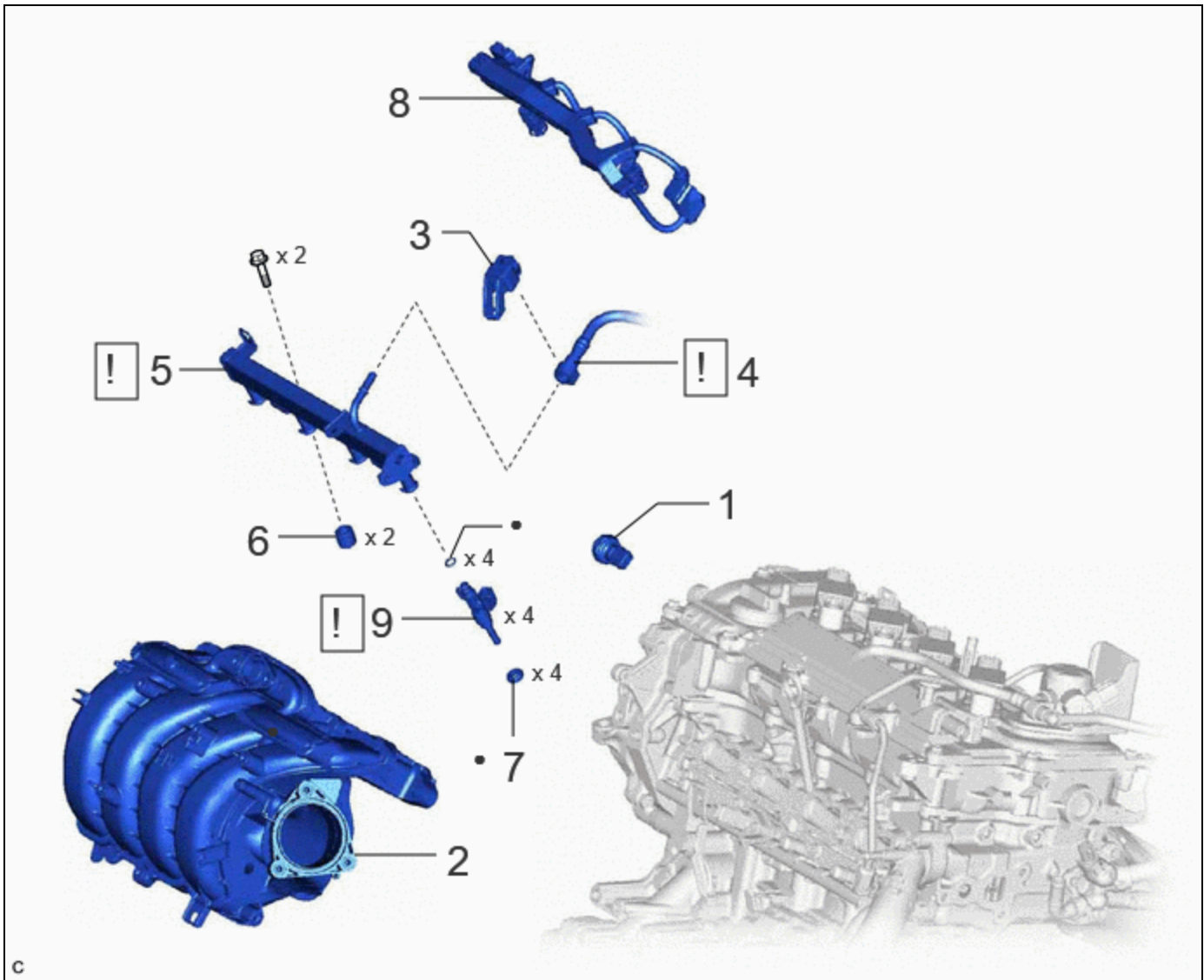
Learning completes when vehicle is driven

EFFECT/INOPERATIVE FUNCTION WHEN NECESSARY PROCEDURE NOT PERFORMED	NECESSARY PROCEDURE	LINK
Front Camera System	Drive the vehicle straight ahead at 35 km/h (22 mph) or more for 5 seconds or more.	INFO

Learning completes when vehicle is operated normally

EFFECT/INOPERATIVE FUNCTION WHEN NECESSARY PROCEDURE NOT PERFORMED	NECESSARY PROCEDURE	LINK
Power Door Lock Control System*1 <ul style="list-style-type: none"> • Back door opener 	Perform door unlock operation with door control switch or electrical key transmitter sub-assembly switch.	INFO
Power Back Door System*2	Reset back door close position	INFO
Air Conditioning System	<p>for HEV Model:</p> <p>After the ignition switch is turned to ON, the servo motor standard position is recognized.</p> <p>for PHEV Model:</p> <p>After the ignition switch is turned to ON, the servo motor and expansion valve standard position is recognized.</p>	-
<p>*1: w/o Power Back Door System</p> <p>*2: w/ Power Back Door System</p>		

CAUTION / NOTICE / HINT**COMPONENTS (REMOVAL)**



PROCEDURE		PART NAME CODE			
1	NO. 2 FUEL PRESSURE SENSOR	89458H	-	-	-
2	INTAKE MANIFOLD	17111	-	-	-
3	FUEL PIPE CLAMP	23841K	-	-	-
4	FUEL TUBE SUB-ASSEMBLY	23910A	INFO	-	-
5	FUEL DELIVERY PIPE SUB-ASSEMBLY	23807	INFO	-	-
6	FUEL DELIVERY SPACER	23891	-	-	-
7	INJECTOR VIBRATION INSULATOR	23291	-	-	-
8	NO. 5 ENGINE WIRE	82125N	-	-	-
9	PORT FUEL INJECTOR ASSEMBLY	23250F	INFO	-	-

•	Non-reusable part	-	-
---	-------------------	---	---

PROCEDURE

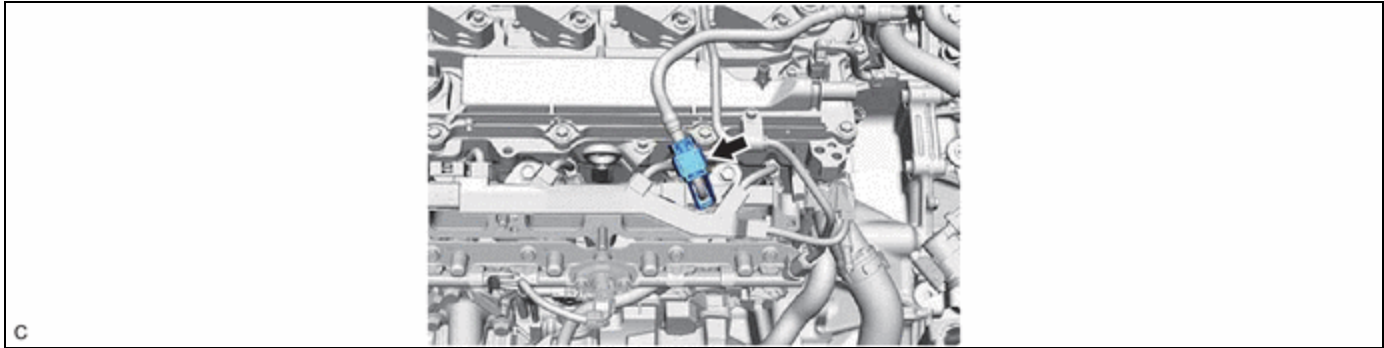
1. REMOVE NO. 2 FUEL PRESSURE SENSOR

Click here [INFO](#)

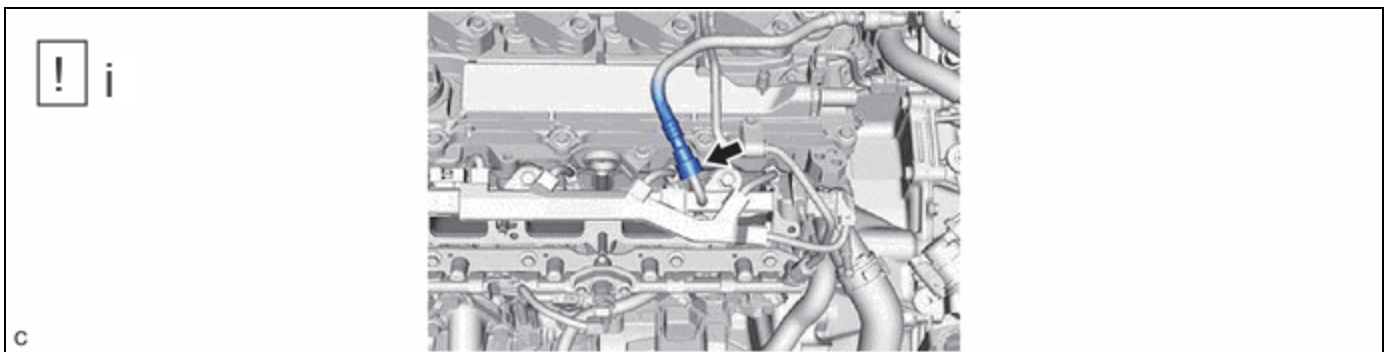
2. REMOVE INTAKE MANIFOLD

Click here [INFO](#)

3. REMOVE FUEL PIPE CLAMP




4. DISCONNECT FUEL TUBE SUB-ASSEMBLY

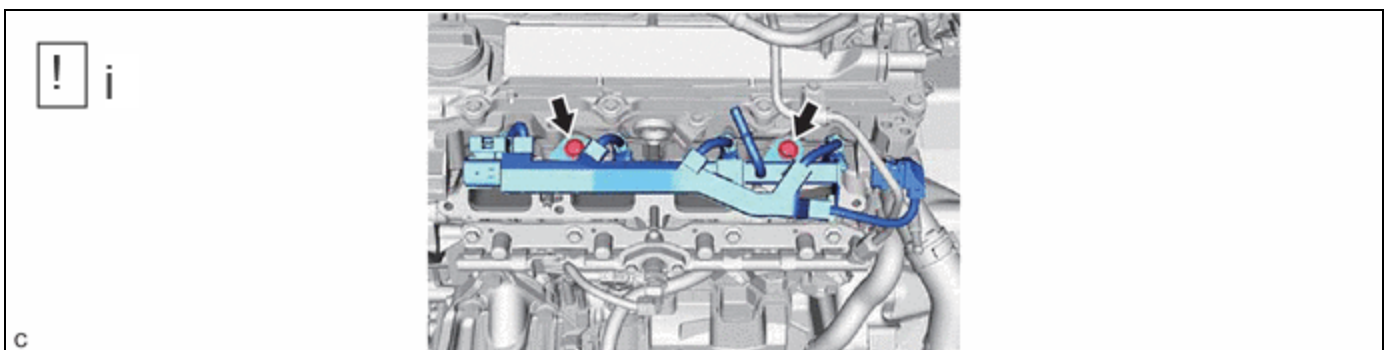


(1) Disconnect the fuel tube sub-assembly from the fuel delivery pipe sub-assembly.

Click here [INFO](#)

5. REMOVE FUEL DELIVERY PIPE SUB-ASSEMBLY

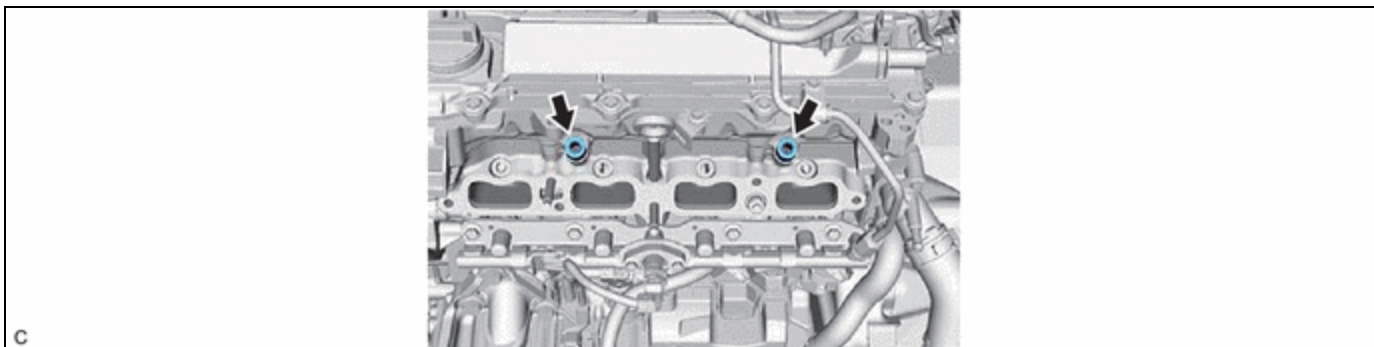
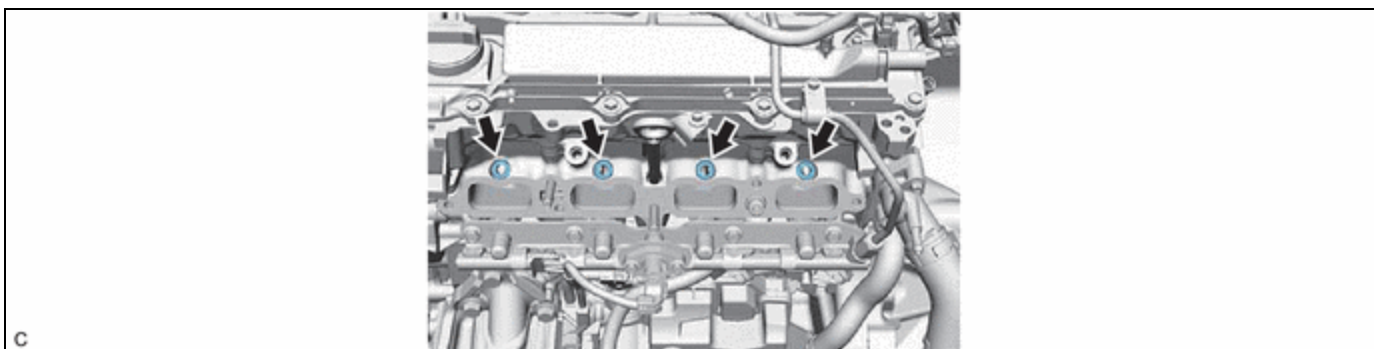
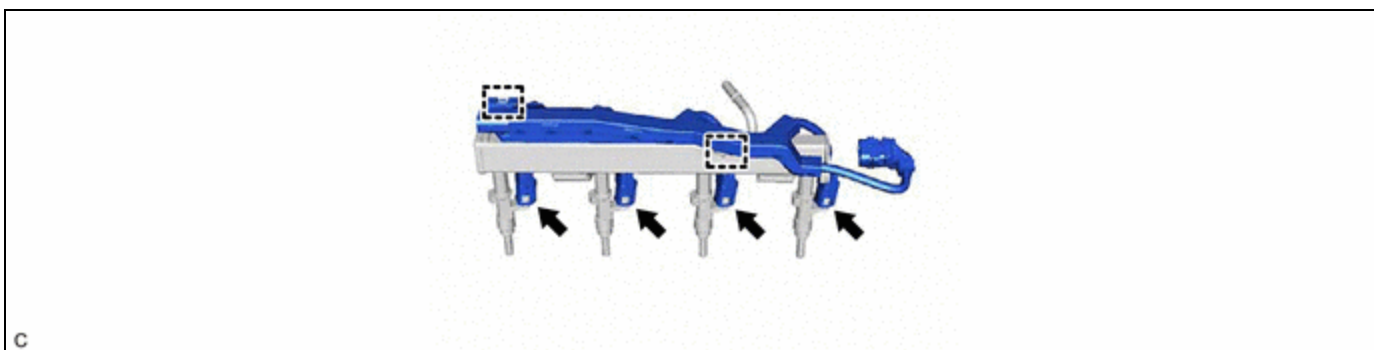
	<p>NOTICE: If fuel intrudes into the combustion chamber, there may be adverse effects to the engine main body.</p>
---	---


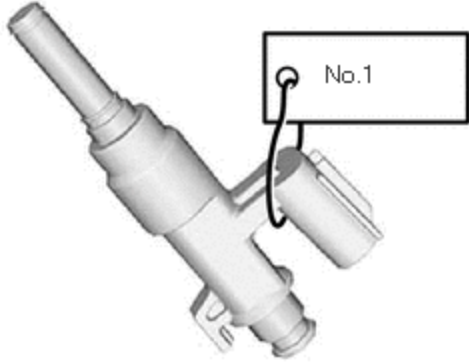


- (1) Remove the 2 bolts and fuel delivery pipe sub-assembly with the 4 port fuel injector assemblies from the cylinder head sub-assembly.

NOTICE:

Be careful not to drop the port fuel injector assemblies when removing the fuel delivery pipe sub-assembly.

6. REMOVE FUEL DELIVERY SPACER**7. REMOVE INJECTOR VIBRATION INSULATOR****8. REMOVE NO. 5 ENGINE WIRE****9. REMOVE PORT FUEL INJECTOR ASSEMBLY**

	 <p data-bbox="253 485 272 510">c</p> <ul data-bbox="285 548 1477 636" style="list-style-type: none">• Attach a tag or label with the corresponding cylinder number to each port fuel injector assembly so that they can be installed to their original locations.• Cover the port fuel injector assemblies with plastic bags to prevent damage and contamination.
---	--

