

Last Modified: 12-04-2024	6.11:8.1.0	Doc ID: RM100000029ZX8
Model Year Start: 2023	Model: Prius	Prod Date Range: [12/2022 -]
Title: M20A-FXS (FUEL): FUEL FILTER (for HEV Model): REPLACEMENT; 2023 - 2024 MY Prius [12/2022 -]		

REPLACEMENT

CAUTION / NOTICE / HINT

The necessary procedures (adjustment, calibration, initialization or registration) that must be performed after parts are removed and installed, or replaced during fuel filter (fuel sub-tank sub-assembly) removal/installation are shown below.

CAUTION:

- Never perform work on fuel system components near any possible ignition sources.



- Vaporized fuel could ignite, resulting in a serious accident.
- Do not perform work on fuel system components without first disconnecting the cable from the negative (-) auxiliary battery terminal.



auxiliary battery terminal.

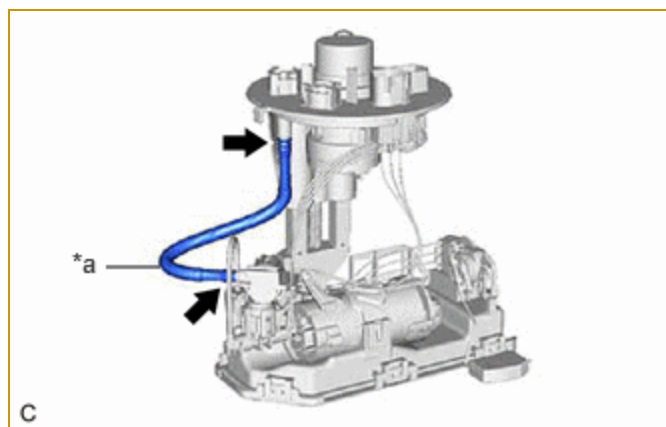
- Sparks could cause vaporized fuel to ignite, resulting in a serious accident.

NOTICE:

- After the ignition switch is turned off, there may be a waiting time before disconnecting the negative (-) auxiliary battery terminal.

[Click here](#) **INFO**

- Do not disconnect the tube shown in the illustration when disassembling the fuel suction tube with pump and gauge assembly. Doing so will cause reassembly of the fuel suction tube with pump and gauge assembly to be impossible as the tube is pressed into the fuel suction plate sub-assembly.



*a	Tube
----	------

HINT:

When the cable is disconnected / reconnected to the auxiliary battery terminal, systems temporarily stop operating. However, each system has a function that completes learning the first time the system is used.

Learning completes when vehicle is driven

EFFECT/INOPERATIVE FUNCTION WHEN NECESSARY PROCEDURE NOT PERFORMED	NECESSARY PROCEDURE	LINK
Front Camera System	Drive the vehicle straight ahead at 35 km/h (22 mph) or more for 5 seconds or more.	INFO

Learning completes when vehicle is operated normally

EFFECT/INOPERATIVE FUNCTION WHEN NECESSARY PROCEDURE NOT PERFORMED	NECESSARY PROCEDURE	LINK
Power Door Lock Control System*1 <ul style="list-style-type: none"> Back door opener 	Perform door unlock operation with door control switch or electrical key transmitter sub-assembly switch.	INFO
Power Back Door System*2	Reset back door close position	INFO
Air Conditioning System	After the ignition switch is turned to ON, the servo motor standard position is recognized.	-
*1: w/o Power Back Door System		
*2: w/ Power Back Door System		

CAUTION / NOTICE / HINT

PROCEDURE

1. REMOVE FUEL SUCTION TUBE WITH PUMP AND GAUGE ASSEMBLY

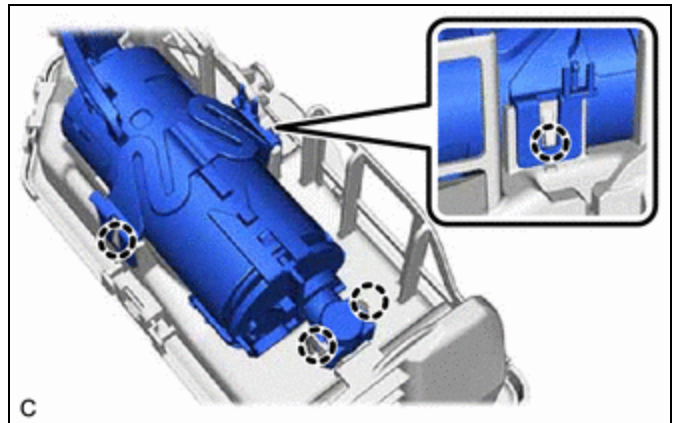
Click here [INFO](#)

2. REMOVE FUEL SENDER GAUGE ASSEMBLY

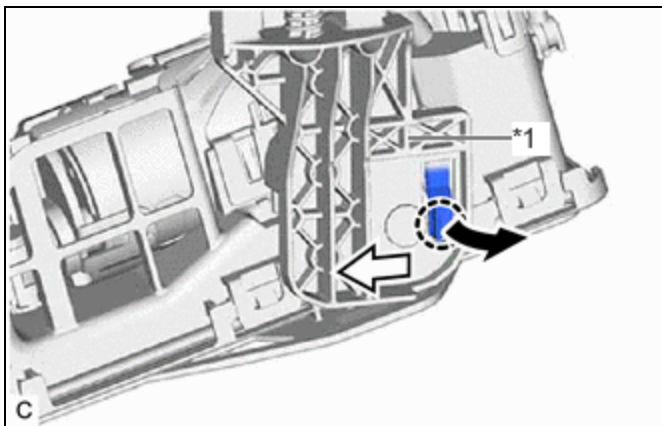
Click here [INFO](#)

3. REMOVE FUEL FILTER (FUEL SUB-TANK SUB-ASSEMBLY)

(a) Disengage the 4 claws and disconnect the fuel suction plate sub-assembly from the fuel filter (fuel sub-tank sub-assembly).

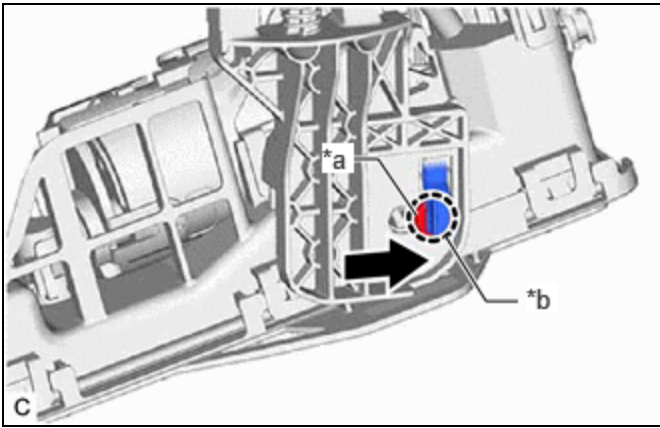



(b) Disengage the claw and slide the fuel filter (fuel sub-tank sub-assembly) and remove it from the fuel suction plate sub-assembly.



*1	Fuel Suction Plate Sub-assembly
	Pull
	Slide

4. INSTALL FUEL FILTER (FUEL SUB-TANK SUB-ASSEMBLY)



*a	Protrusion
*b	Installation Hole
	Slide

- (a) Align the protrusion of the fuel filter (fuel sub-tank sub-assembly) with the installation hole of the fuel suction plate sub-assembly and slide the fuel filter (fuel sub-tank sub-assembly) to install it to the fuel suction plate sub-assembly.
- (b) Engage the 4 claws to connect the fuel suction plate sub-assembly to the fuel filter (fuel sub-tank sub-assembly).

5. INSTALL FUEL SENDER GAUGE ASSEMBLY

Click here [INFO](#)

6. INSTALL FUEL SUCTION TUBE WITH PUMP AND GAUGE ASSEMBLY

Click here [INFO](#)

