

Last Modified: 12-04-2024	6.11:8.1.0	Doc ID: RM1000000029ZL1
Model Year Start: 2023	Model: Prius Prime	Prod Date Range: [12/2022 -]
Title: M20A-FXS (ENGINE CONTROL): THROTTLE BODY: REMOVAL; 2023 - 2024 MY Prius Prius Prime [12/2022 -]		

REMOVAL

CAUTION / NOTICE / HINT

The necessary procedures (adjustment, calibration, initialization or registration) that must be performed after parts are removed and installed, or replaced during throttle body with motor assembly removal/installation are shown below.

Necessary Procedures After Parts Removed/Installed/Replaced

REPLACED PART OR PERFORMED PROCEDURE	NECESSARY PROCEDURE	EFFECT/INOPERATIVE FUNCTION WHEN NECESSARY PROCEDURE NOT PERFORMED	LINK
<ul style="list-style-type: none"> Replacement of throttle body with motor assembly Cleaning the deposits from the throttle body with motor assembly 	Inspection after repair	<ul style="list-style-type: none"> Poor idle, etc. Engine start function, etc. 	INFO

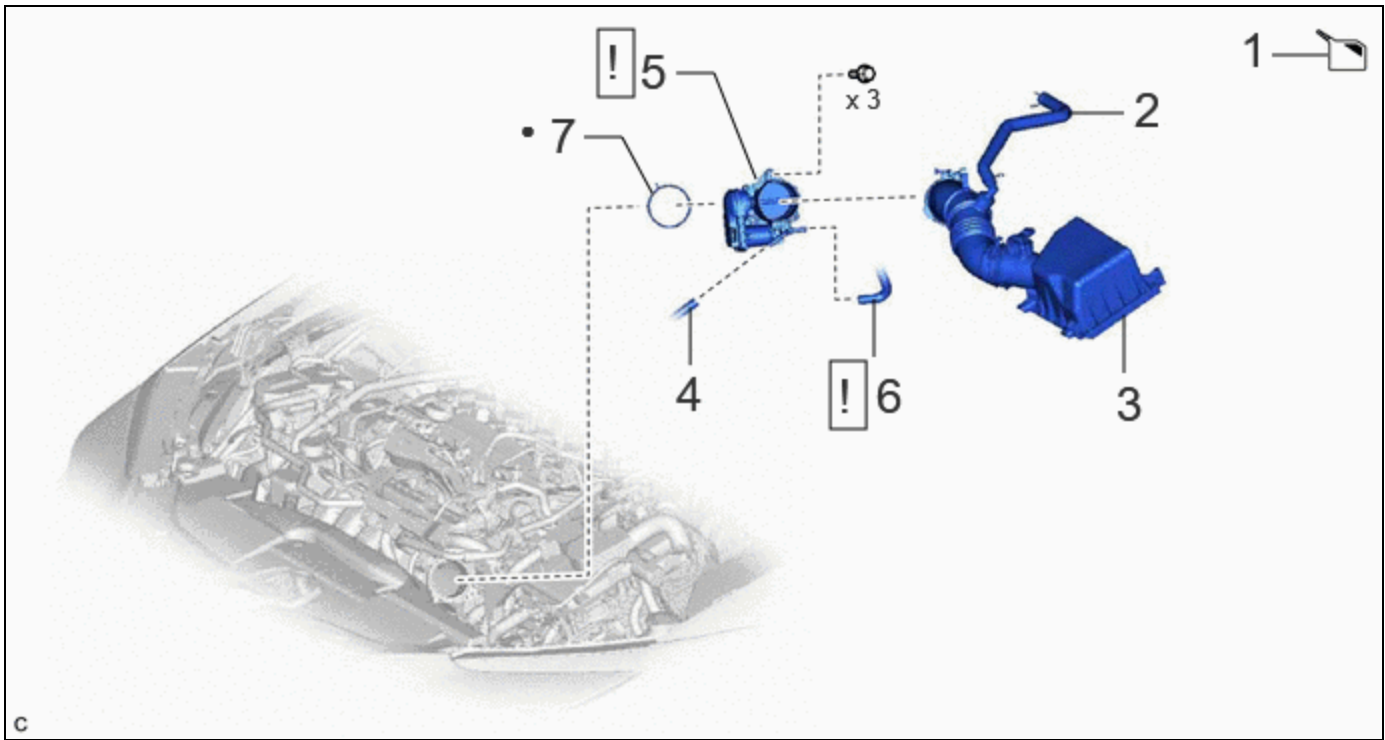
NOTICE:

This procedure includes the removal of small-head bolts. Refer to [Small-Head Bolts of Basic Repair Hint](#) to identify the small-head bolts.

Click here [INFO](#)

CAUTION / NOTICE / HINT

COMPONENTS (REMOVAL)



	PROCEDURE	PART NAME CODE			
1	DRAIN ENGINE COOLANT (for Engine)	-	-	INFO	-
2	NO. 2 VENTILATION HOSE	12262	-	-	-
3	AIR CLEANER CAP WITH AIR CLEANER HOSE	-	-	-	-
4	NO. 5 WATER BY-PASS HOSE	16282	-	-	-
5	THROTTLE BODY WITH MOTOR ASSEMBLY	22030	INFO	-	-
6	NO. 8 WATER BY-PASS HOSE	16296	INFO	-	-
7	THROTTLE BODY GASKET	22271	-	-	-

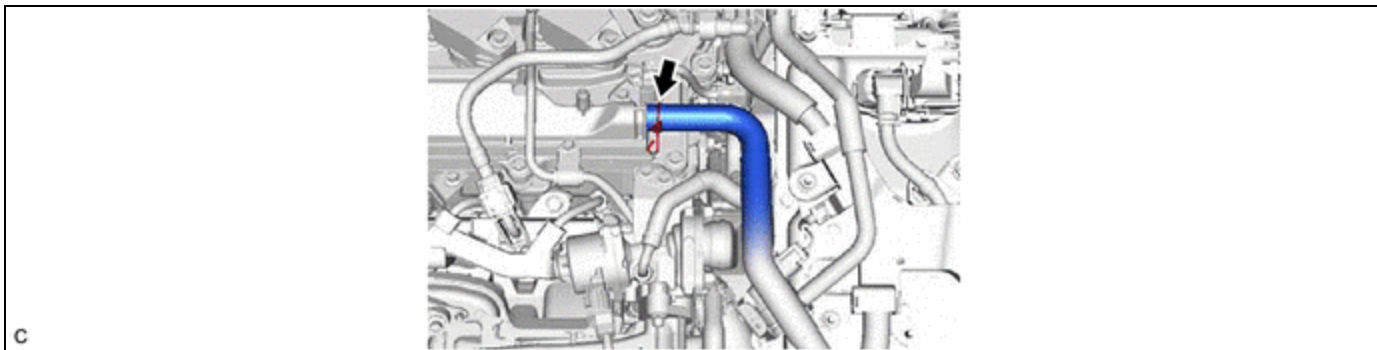
•	Non-reusable part	-	-
---	-------------------	---	---

PROCEDURE

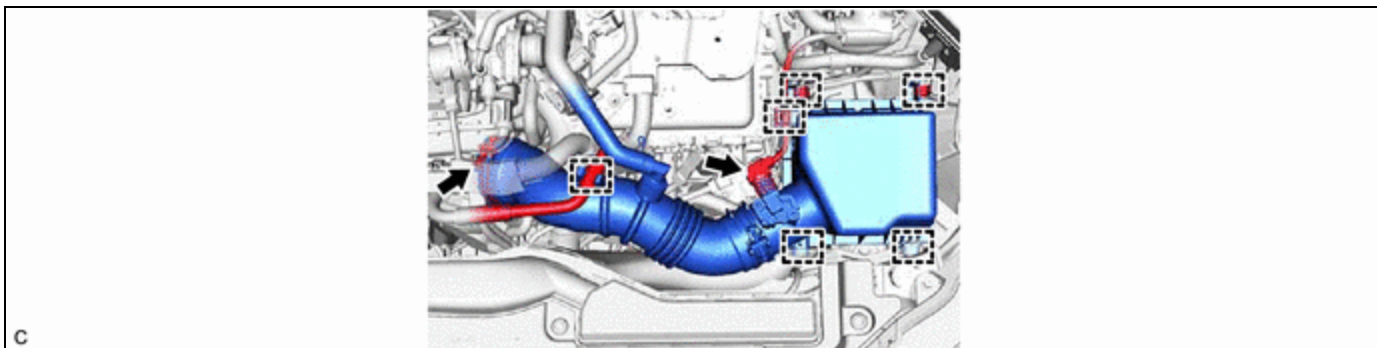
1. DRAIN ENGINE COOLANT (for Engine)

Click here [INFO](#)

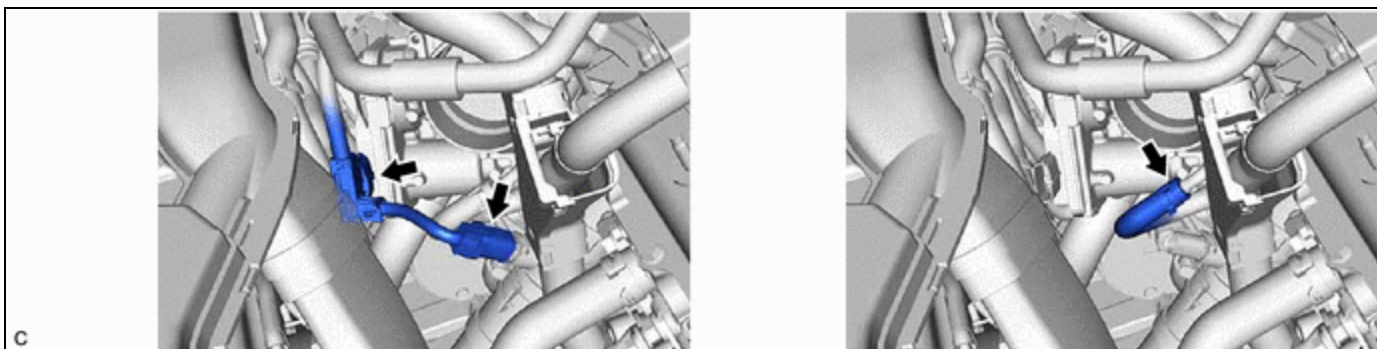
2. DISCONNECT NO. 2 VENTILATION HOSE



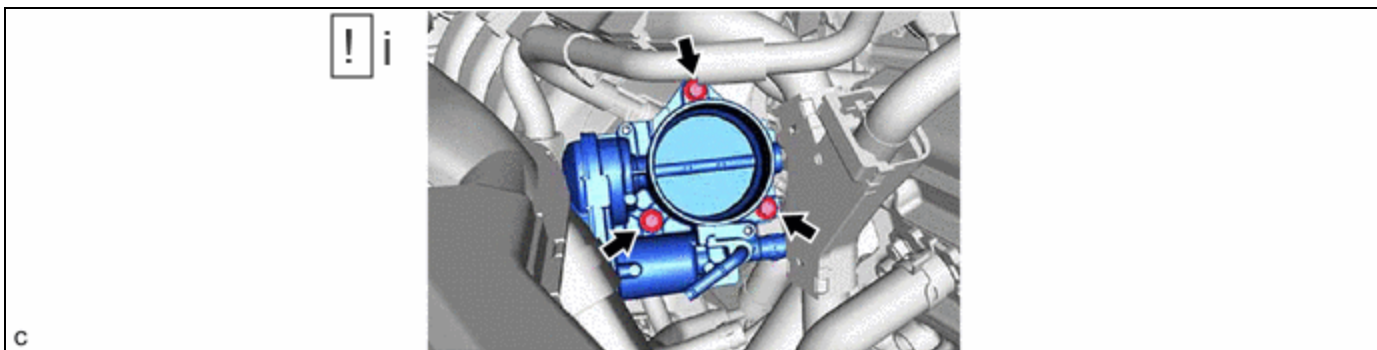
3. REMOVE AIR CLEANER CAP WITH AIR CLEANER HOSE



4. DISCONNECT NO. 5 WATER BY-PASS HOSE



5. SEPARATE THROTTLE BODY WITH MOTOR ASSEMBLY

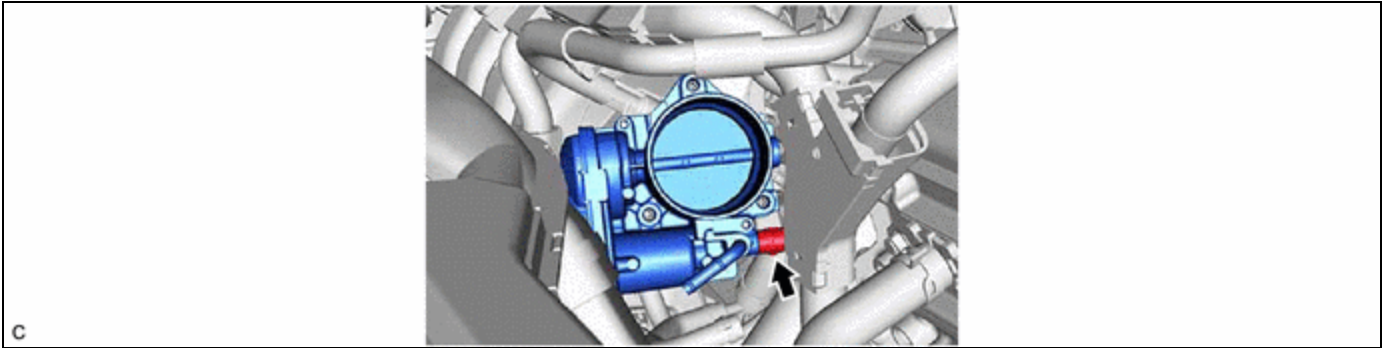


(1) Using an 8 mm socket wrench, remove the 3 bolts to separate the throttle body with motor assembly from the intake manifold.

6. DISCONNECT NO. 8 WATER BY-PASS HOSE

**NOTICE:**

If the throttle body with motor assembly has been struck or dropped, replace it.

**7. REMOVE THROTTLE BODY GASKET**