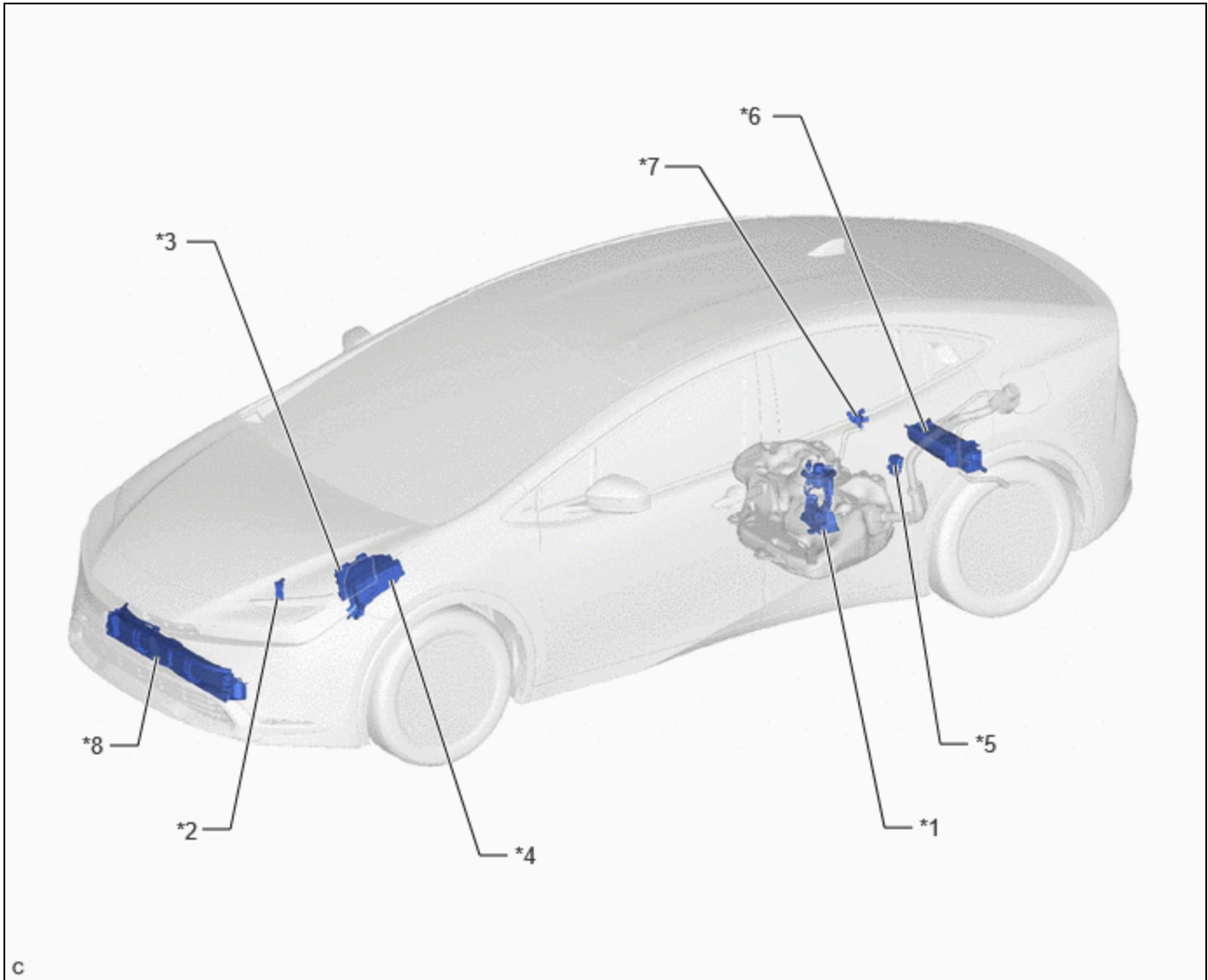


Last Modified: 12-04-2024	6.11:8.1.0	Doc ID: RM100000002BLOH
Model Year Start: 2023	Model: Prius Prime	Prod Date Range: [03/2023 -]
Title: M20A-FXS (ENGINE CONTROL): SFI SYSTEM: PARTS LOCATION; 2023 - 2024 MY Prius Prius Prime [03/2023 -]		

PARTS LOCATION

ILLUSTRATION

for HEV Model

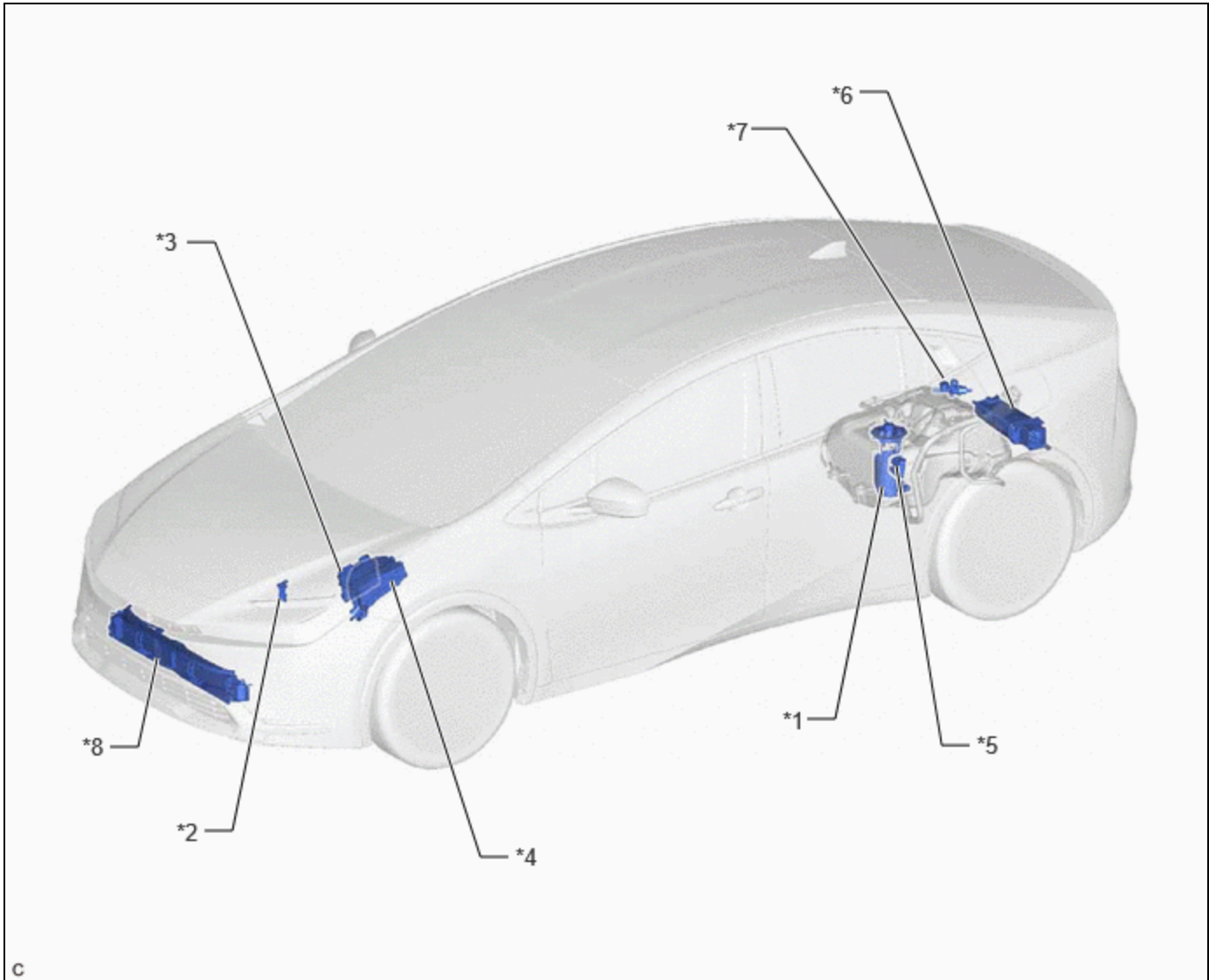


*1	FUEL PUMP (for Low Pressure Side)	*2	MASS AIR FLOW METER SUB-ASSEMBLY
*3	ECM	*4	NO. 1 ENGINE ROOM RELAY BLOCK AND NO. 1 JUNCTION BLOCK ASSEMBLY
*5	FUEL PUMP CONTROL ECU	*6	CANISTER
*7	FUEL VAPOR-CONTAINMENT VALVE	*8	RADIATOR SHUTTER ASSEMBLY

- RADIATOR SHUTTER SUB-ASSEMBLY
- SWING GRILLE ACTUATOR ASSEMBLY

ILLUSTRATION

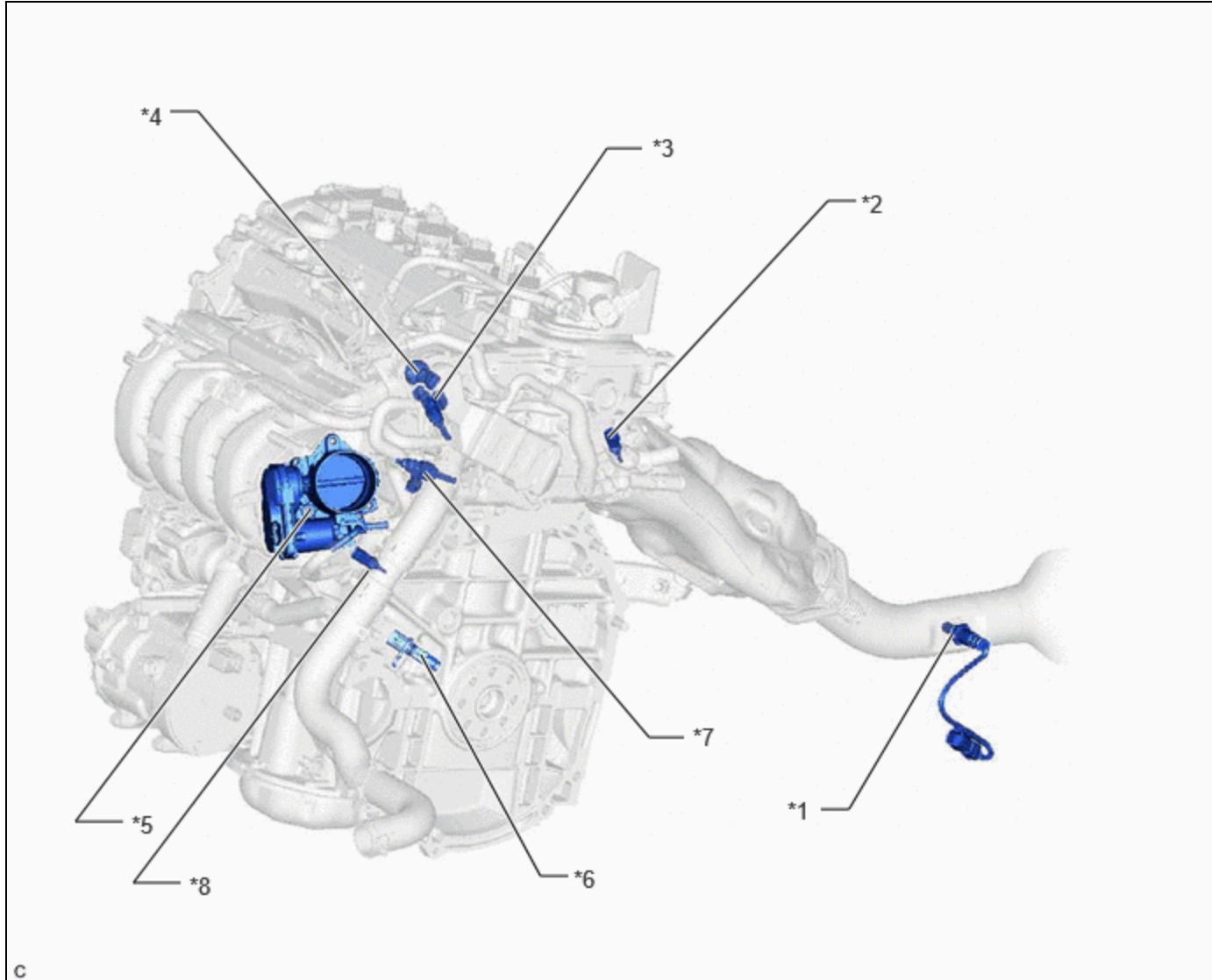
for PHEV Model



*1	FUEL PUMP (for Low Pressure Side)	*2	MASS AIR FLOW METER SUB-ASSEMBLY
*3	ECM	*4	NO. 1 ENGINE ROOM RELAY BLOCK AND NO. 1 JUNCTION BLOCK ASSEMBLY
*5	FUEL PUMP CONTROL ECU	*6	CANISTER
*7	FUEL VAPOR-CONTAINMENT VALVE	*8	RADIATOR SHUTTER ASSEMBLY <ul style="list-style-type: none"> • RADIATOR SHUTTER SUB-ASSEMBLY

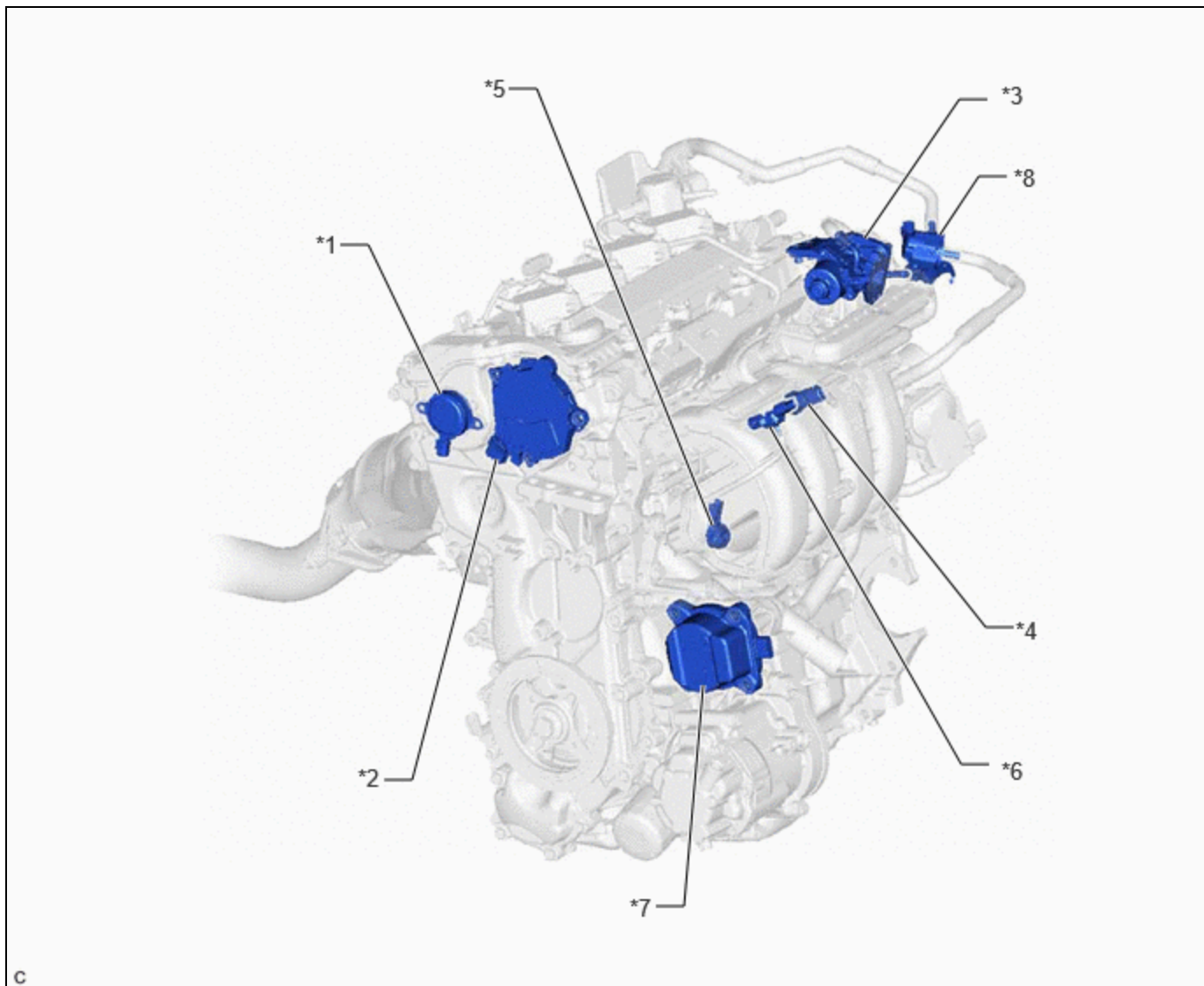
- SWING GRILLE ACTUATOR ASSEMBLY

ILLUSTRATION



*1	AIR FUEL RATIO SENSOR (Sensor 2)	*2	ENGINE COOLANT TEMPERATURE SENSOR
*3	PORT FUEL INJECTOR ASSEMBLY	*4	NO. 2 FUEL PRESSURE SENSOR (for Low Pressure Side)
*5	THROTTLE BODY WITH MOTOR ASSEMBLY	*6	CRANKSHAFT POSITION SENSOR
*7	DIRECT FUEL INJECTOR ASSEMBLY	*8	NO. 2 ENGINE COOLANT TEMPERATURE SENSOR

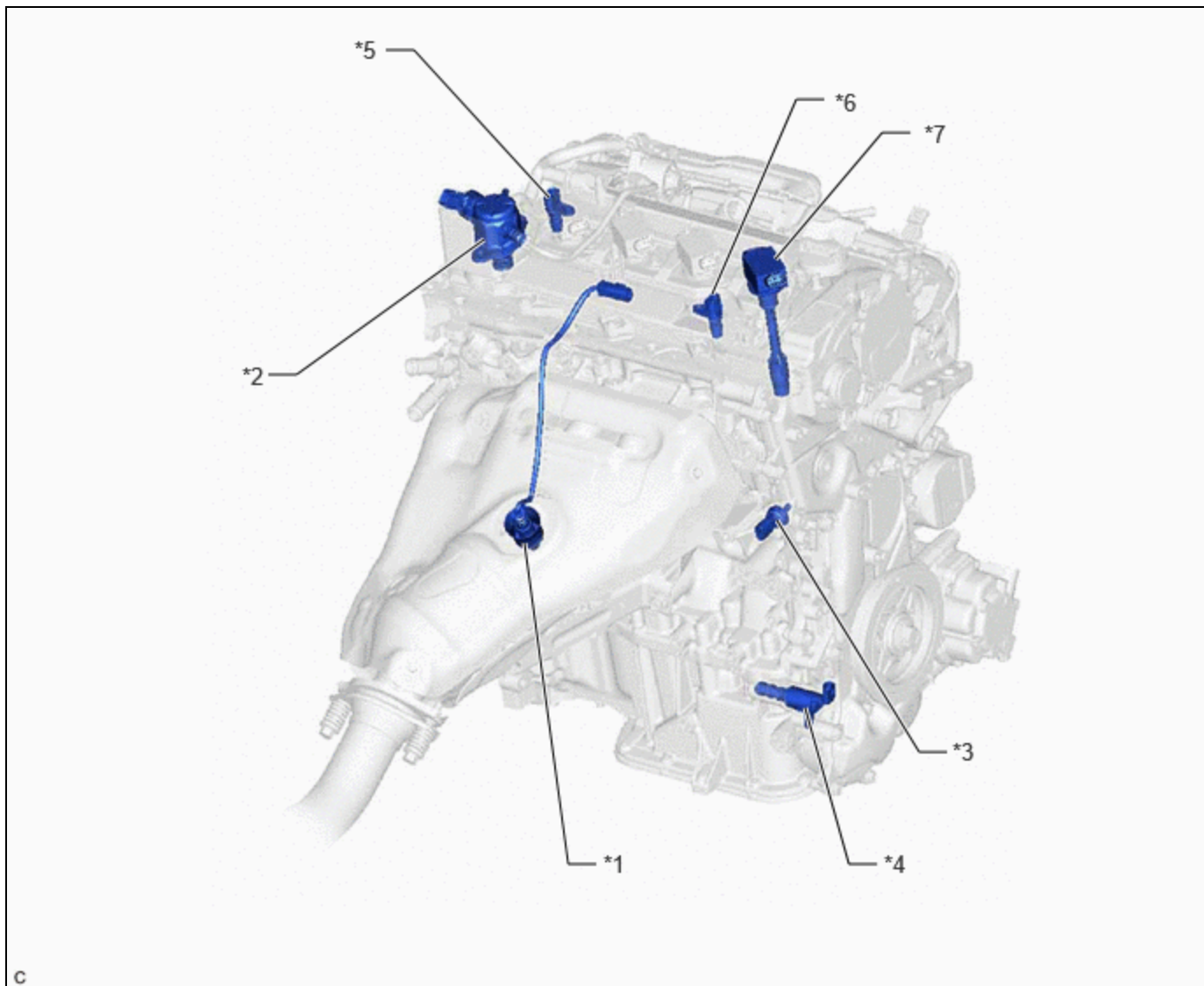
ILLUSTRATION



c

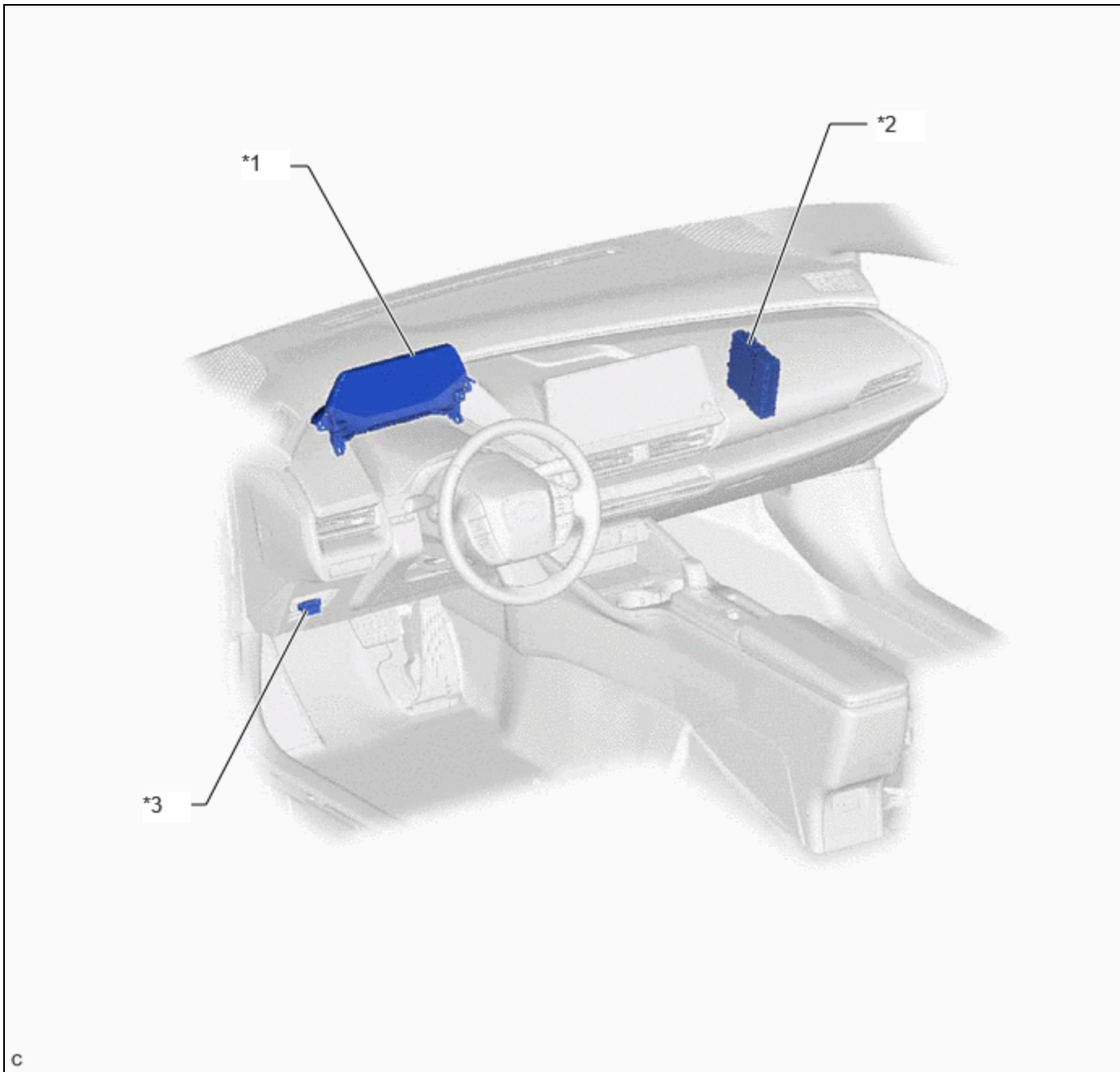
*1	CAM TIMING OIL CONTROL SOLENOID ASSEMBLY	*2	CAM TIMING CONTROL MOTOR WITH EDU ASSEMBLY
*3	EGR VALVE ASSEMBLY	*4	FUEL PRESSURE SENSOR (for High Pressure Side)
*5	KNOCK CONTROL SENSOR	*6	MANIFOLD ABSOLUTE PRESSURE SENSOR
*7	ENGINE WATER PUMP ASSEMBLY (WATER INLET HOUSING)	*8	PURGE VSV

ILLUSTRATION



*1	AIR FUEL RATIO SENSOR (Sensor 1)	*2	FUEL (ENGINE ROOM SIDE) PUMP ASSEMBLY (for High Pressure Side)
*3	OIL PRESSURE AND TEMPERATURE SENSOR	*4	OIL PRESSURE CONTROL VALVE ASSEMBLY
*5	CAMSHAFT POSITION SENSOR (for Intake Camshaft)	*6	CAMSHAFT POSITION SENSOR (for Exhaust Camshaft)
*7	IGNITION COIL ASSEMBLY	-	-

ILLUSTRATION



C

*1	COMBINATION METER ASSEMBLY	*2	HYBRID VEHICLE CONTROL ECU
*3	DLC3	-	-

