

<b>Last Modified:</b> 12-04-2024	6.11:8.1.0	<b>Doc ID:</b> RM1000000029ITG
<b>Model Year Start:</b> 2023	<b>Model:</b> Prius	<b>Prod Date Range:</b> [12/2022 - ]
<b>Title:</b> M20A-FXS (COOLING): COOLING FAN MOTOR (for HEV Model): REMOVAL; 2023 - 2024 MY Prius [12/2022 - ]		

## REMOVAL

### CAUTION / NOTICE / HINT

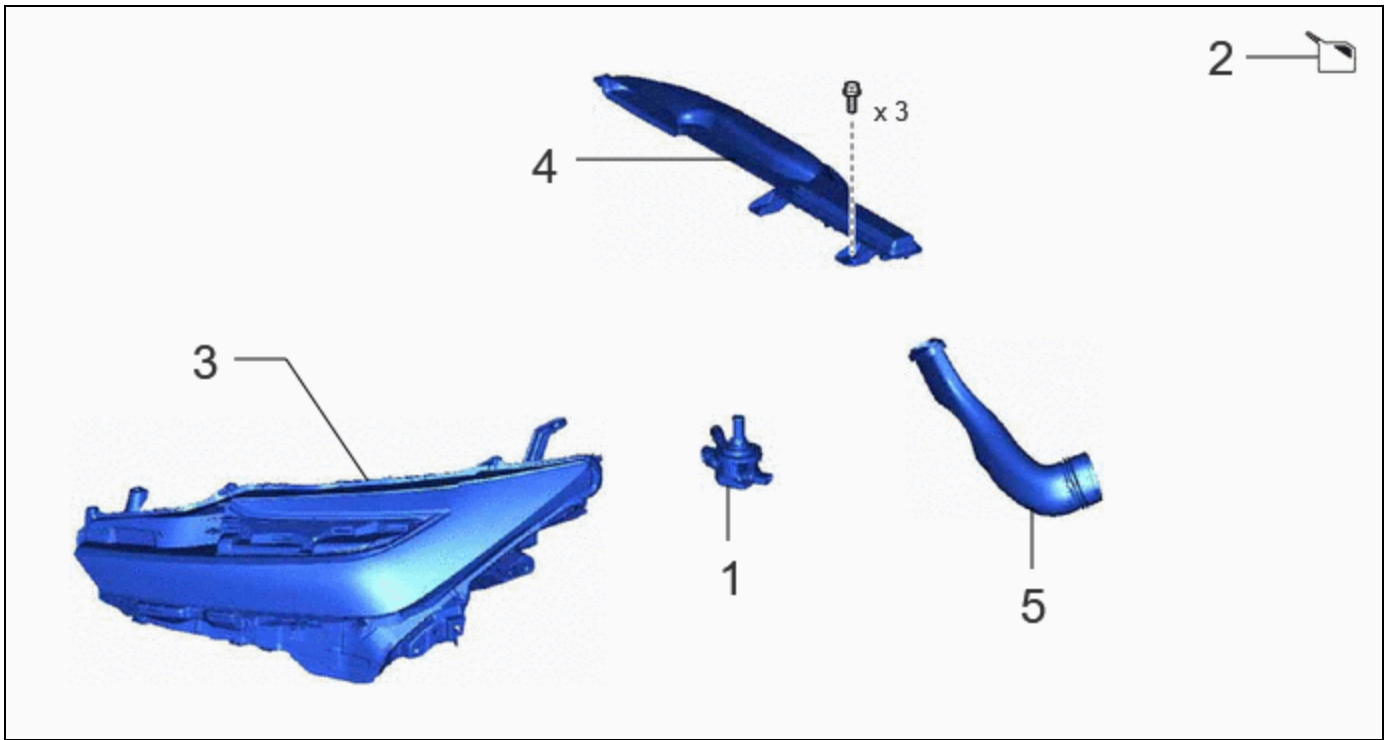
The necessary procedures (adjustment, calibration, initialization or registration) that must be performed after parts are removed and installed, or replaced during cooling fan motor LH and cooling fan motor RH removal/installation are shown below.




#### **Necessary Procedures After Parts Removed/Installed/Replaced**

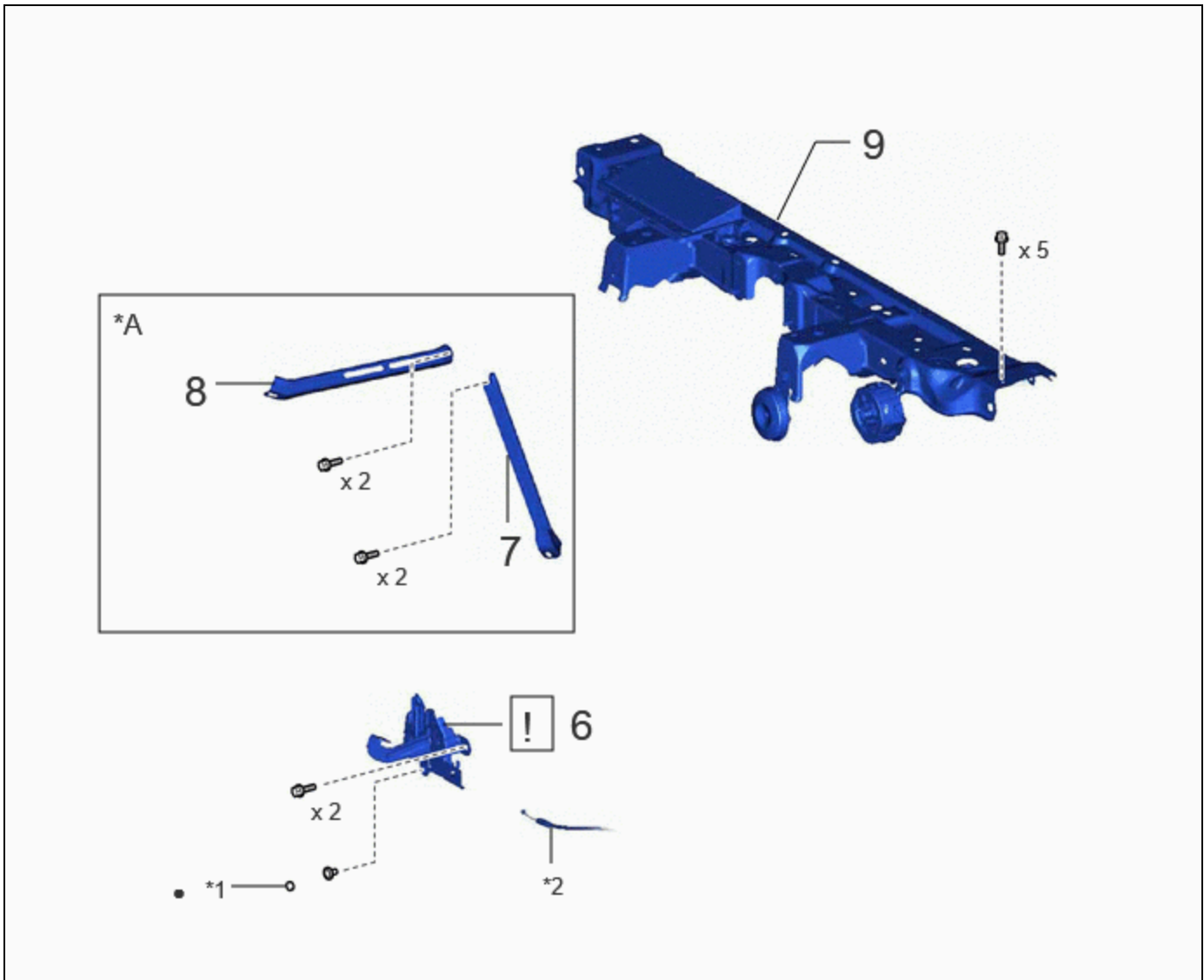
REPLACED PART OR PERFORMED PROCEDURE	NECESSARY PROCEDURES	EFFECT/INOPERATIVE FUNCTION WHEN NECESSARY PROCEDURES ARE NOT PERFORMED	LINK
Front bumper assembly*1	Front television camera view adjustment	Panoramic View Monitor System	<a href="#">INFO</a>
		Advanced Park	<a href="#">INFO</a>
<b>Replacement or removal and installation of 2 or more parts:</b> <ul style="list-style-type: none"> <li>• Front television camera assembly, Radiator grille or Front bumper assembly</li> <li>• Rear television camera assembly</li> <li>• Side television camera assembly LH, Parking assist light LH or Outer rear view mirror assembly LH</li> <li>• Side television camera assembly RH, Parking assist light RH or Outer rear view mirror assembly RH</li> </ul>	Television camera view adjustment	Panoramic View Monitor System	<a href="#">INFO</a>
*1: Even when not replacing the part, it is necessary to perform the specified necessary procedures after installation.			

### CAUTION / NOTICE / HINT

#### **COMPONENTS (REMOVAL)**

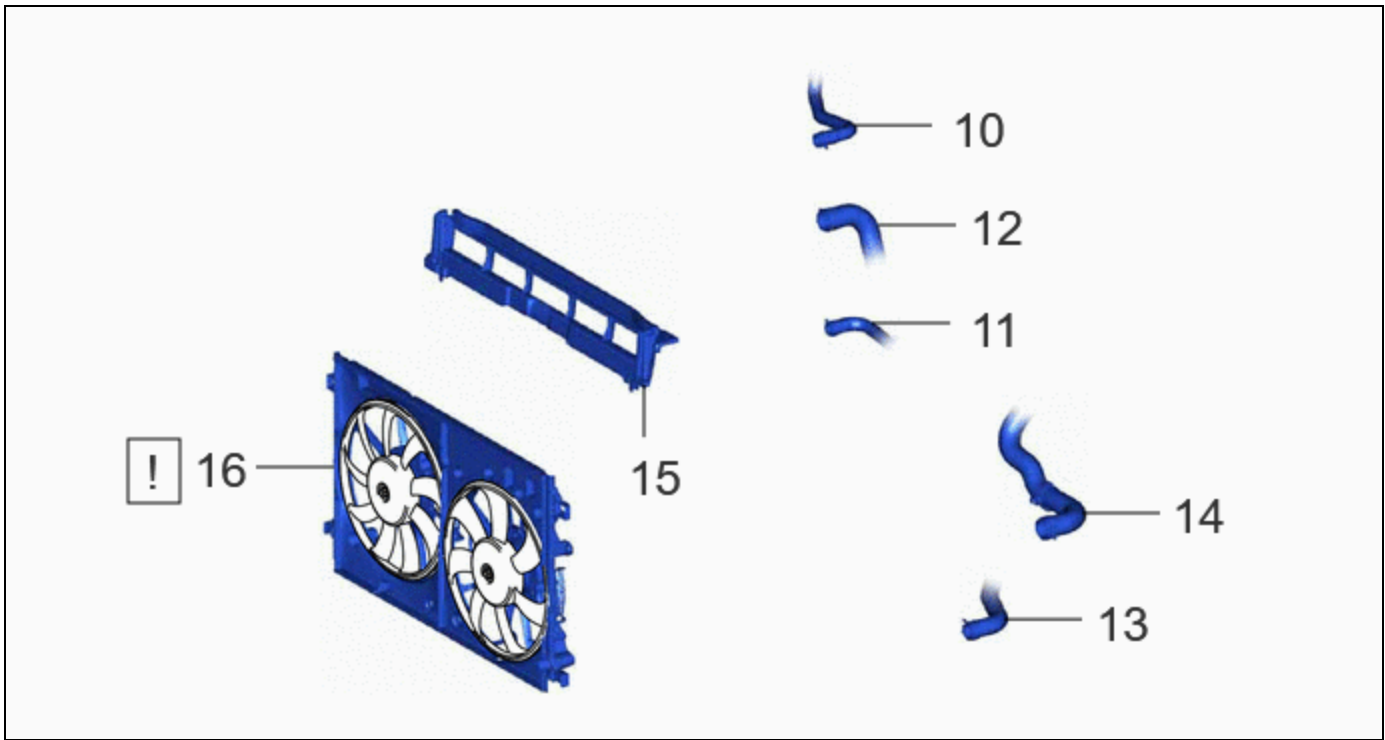






	PROCEDURE	PART NAME CODE			
1	INVERTER WATER PUMP WITH MOTOR ASSEMBLY	G9040	-	-	-
2	DRAIN ENGINE COOLANT (for Engine)	-	-	<a href="#">INFO</a>	-
3	HEADLIGHT ASSEMBLY	-	-	-	-
4	INLET NO. 1 AIR CLEANER	17751	-	-	-
5	INLET NO. 2 AIR CLEANER	17752	-	-	-

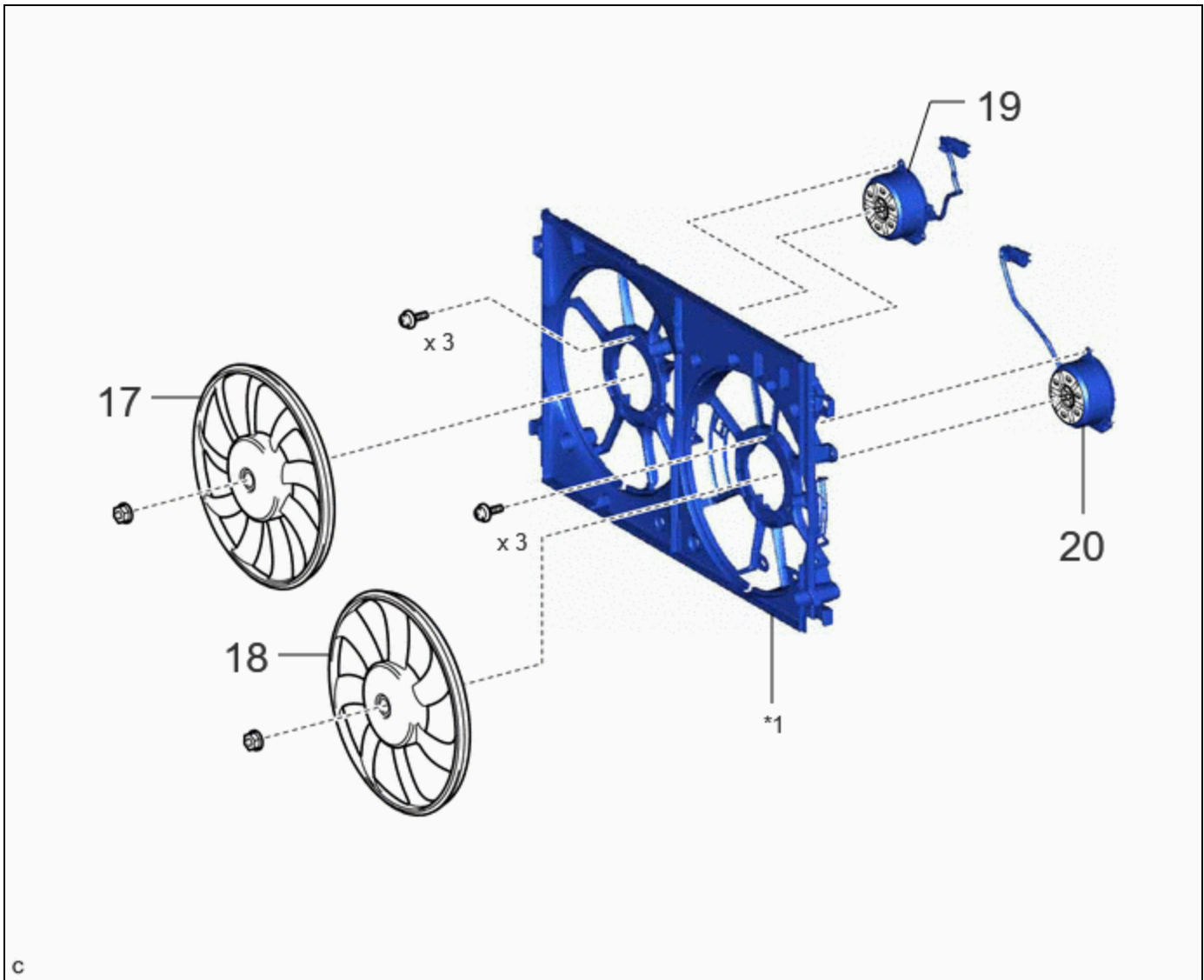





	PROCEDURE	PART NAME CODE			
6	HOOD LOCK ASSEMBLY	53510	<a href="#">INFO</a>	-	-
7	RADIATOR MOUNTING BRACKET UPPER LH	53254A	-	-	-
8	RADIATOR MOUNTING BRACKET UPPER RH	53253D	-	-	-
9	UPPER RADIATOR SUPPORT SUB-ASSEMBLY	53205	-	-	-

*A	w/ Bracket	-	-
*1	HOOD LOCK NUT CAP	*2	HOOD LOCK CONTROL CABLE ASSEMBLY
●	Non-reusable part	-	-



PROCEDURE		PART NAME CODE			
10	NO. 1 WATER BY-PASS HOSE	16261	-	-	-
11	INLET HYBRID RADIATOR HOSE	G922H	-	-	-
12	NO. 2 RADIATOR HOSE	16572D	-	-	-
13	INLET NO. 1 INVERTER COOLING HOSE	G922AA	-	-	-
14	NO. 1 RADIATOR HOSE	16571C	-	-	-
15	NO. 2 RADIATOR AIR GUIDE	16594A	-	-	-
16	FAN WITH MOTOR ASSEMBLY	-		-	-



PROCEDURE		PART NAME CODE			
17	FAN RH	16361J	-	-	-
18	FAN LH	16361K	-	-	-
19	COOLING FAN MOTOR RH	16363F	-	-	-
20	COOLING FAN MOTOR LH	16363G	-	-	-

*1	FAN SHROUD	-	-
----	------------	---	---

## PROCEDURE

### 1. REMOVE INVERTER WATER PUMP WITH MOTOR ASSEMBLY

Click here [INFO](#)

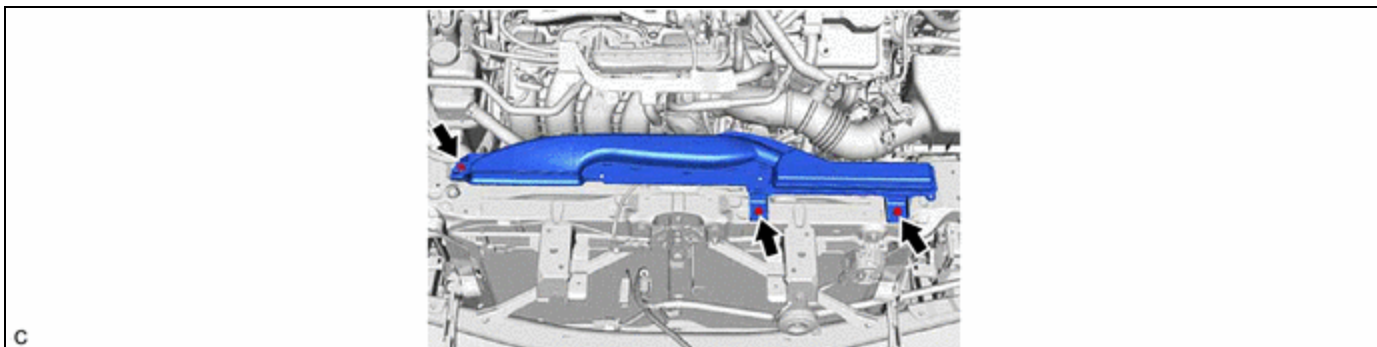
### 2. DRAIN ENGINE COOLANT (for Engine)

Click here [INFO](#)

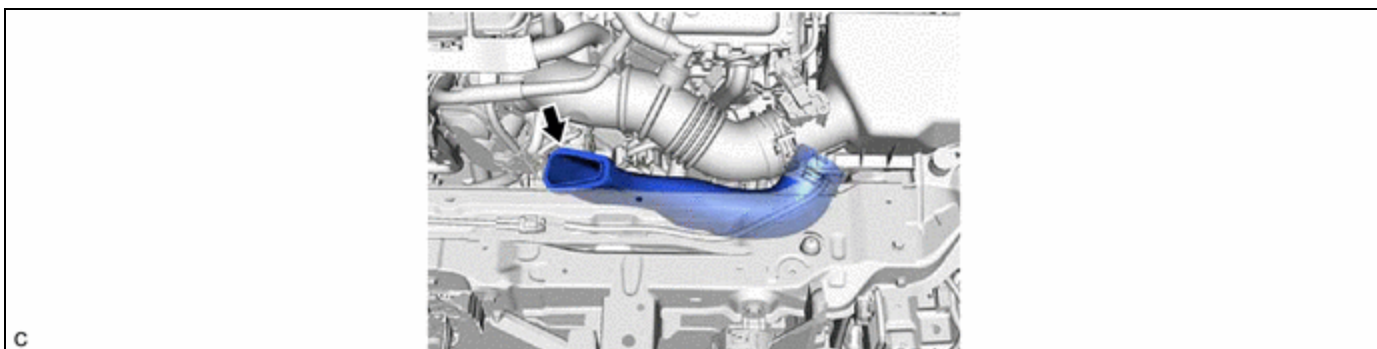
### 3. REMOVE HEADLIGHT ASSEMBLY

Click here [INFO](#)


### 4. REMOVE INLET NO. 1 AIR CLEANER



### 5. REMOVE INLET NO. 2 AIR CLEANER



### 6. REMOVE HOOD LOCK ASSEMBLY

	Click here <a href="#">INFO</a>
---	---------------------------------

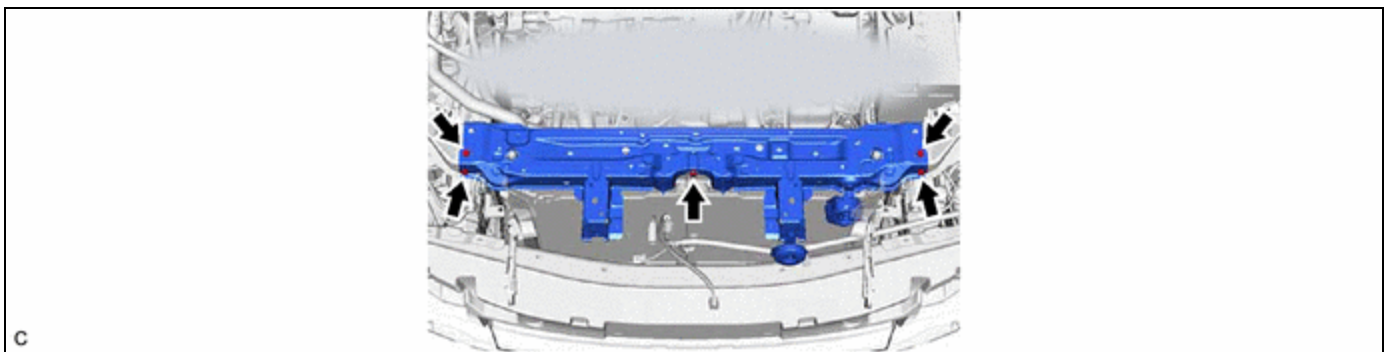
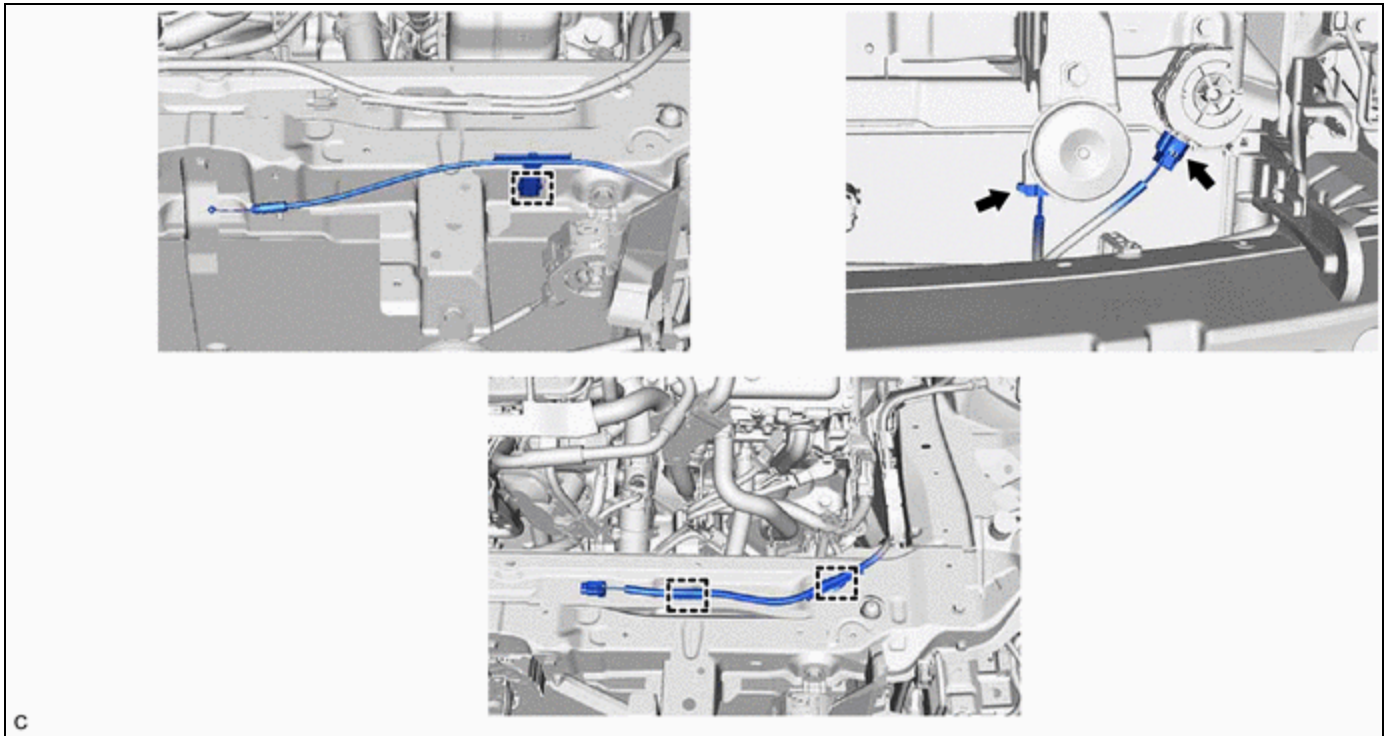
### 7. REMOVE RADIATOR MOUNTING BRACKET UPPER LH (w/ Bracket)

Click here [INFO](#)

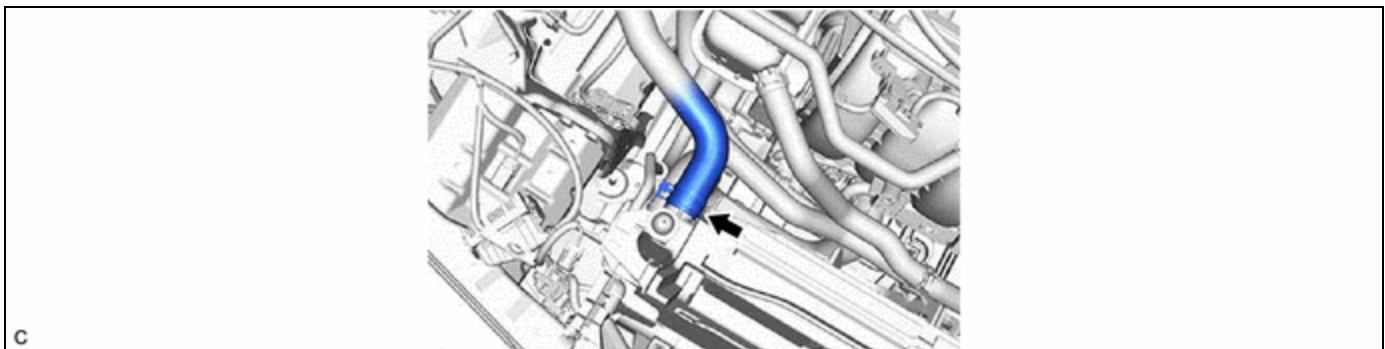
### 8. REMOVE RADIATOR MOUNTING BRACKET UPPER RH (w/ Bracket)

Click here [INFO](#)

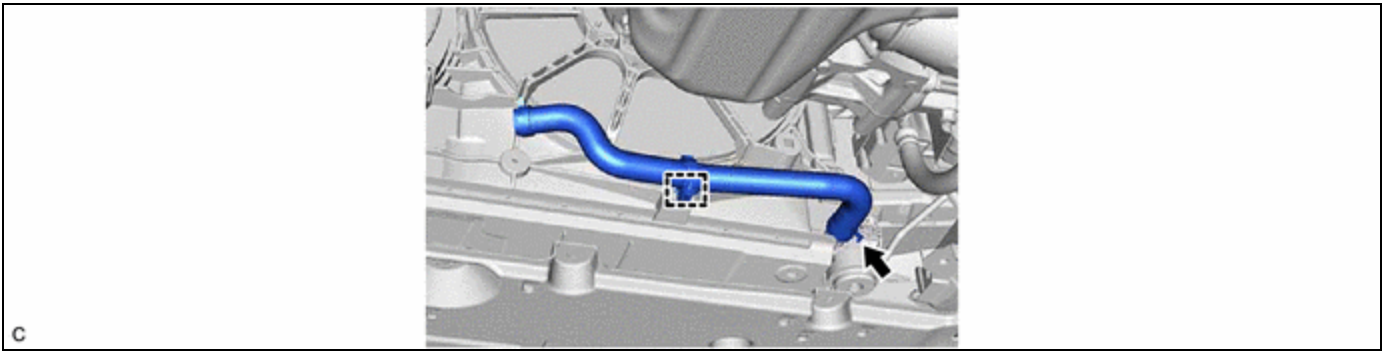
### 9. REMOVE UPPER RADIATOR SUPPORT SUB-ASSEMBLY



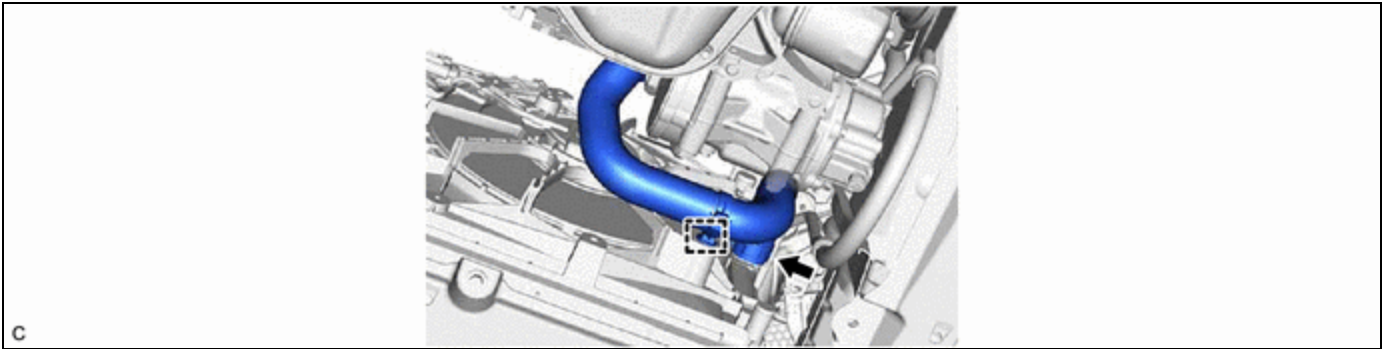
**10. DISCONNECT NO. 1 WATER BY-PASS HOSE**



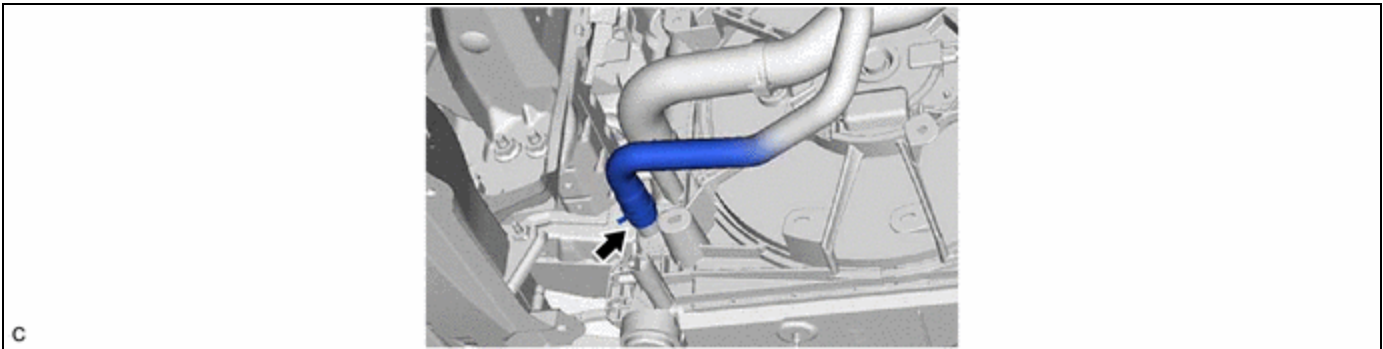
**11. DISCONNECT INLET HYBRID RADIATOR HOSE**



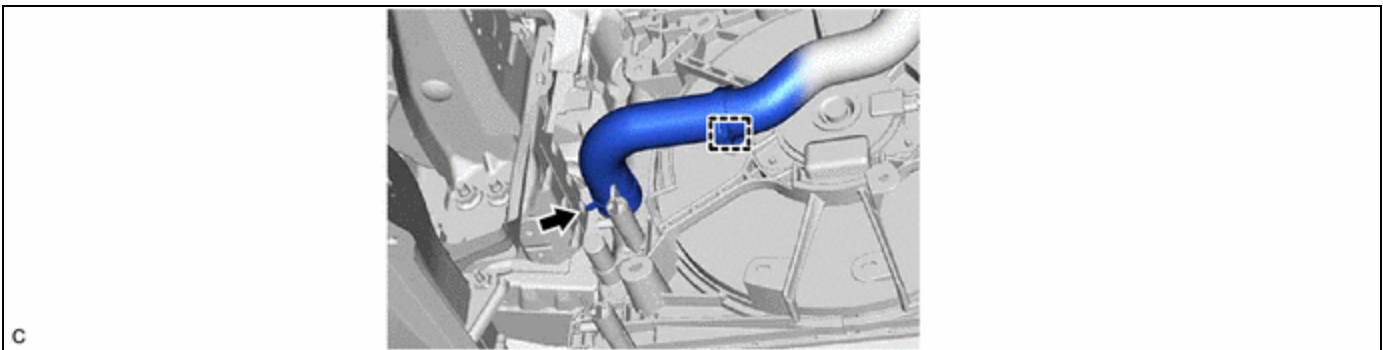
**12. DISCONNECT NO. 2 RADIATOR HOSE**



**13. DISCONNECT INLET NO. 1 INVERTER COOLING HOSE**

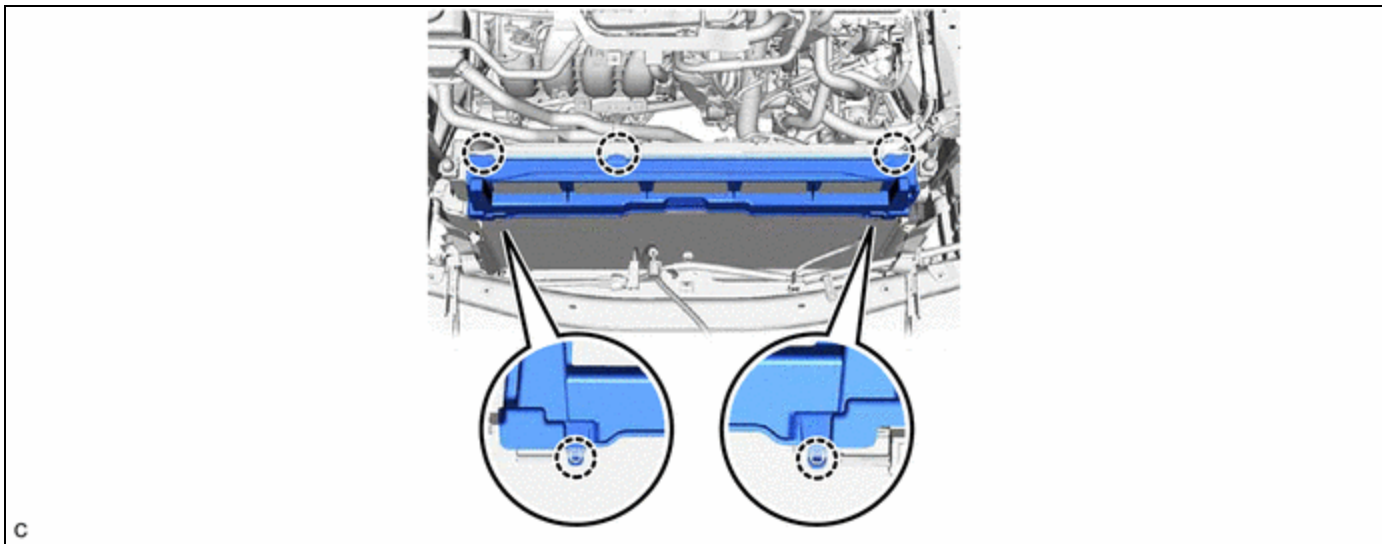


**14. DISCONNECT NO. 1 RADIATOR HOSE**

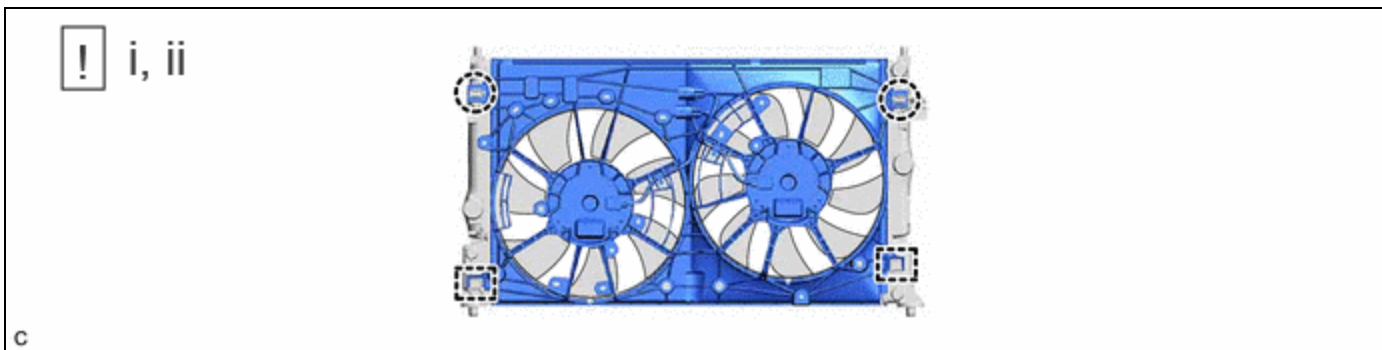
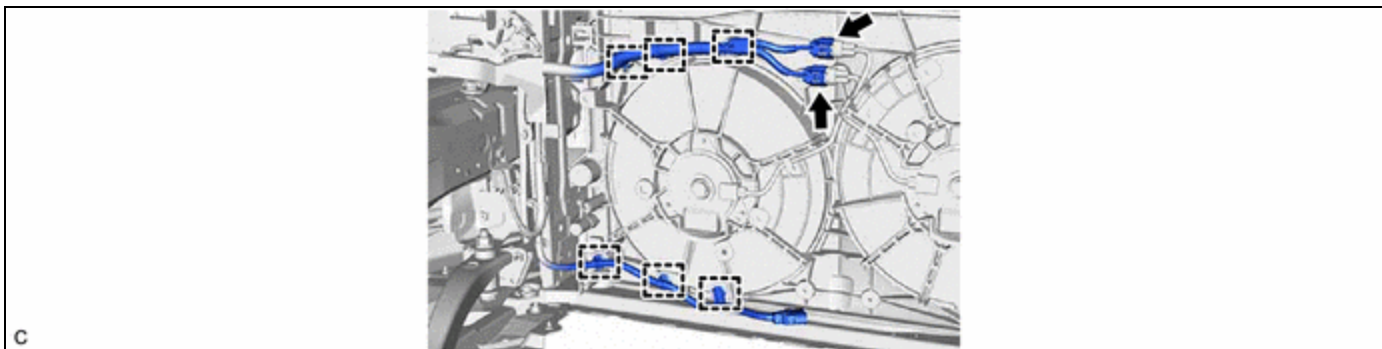


**15. REMOVE NO. 2 RADIATOR AIR GUIDE**





## 16. REMOVE FAN WITH MOTOR ASSEMBLY

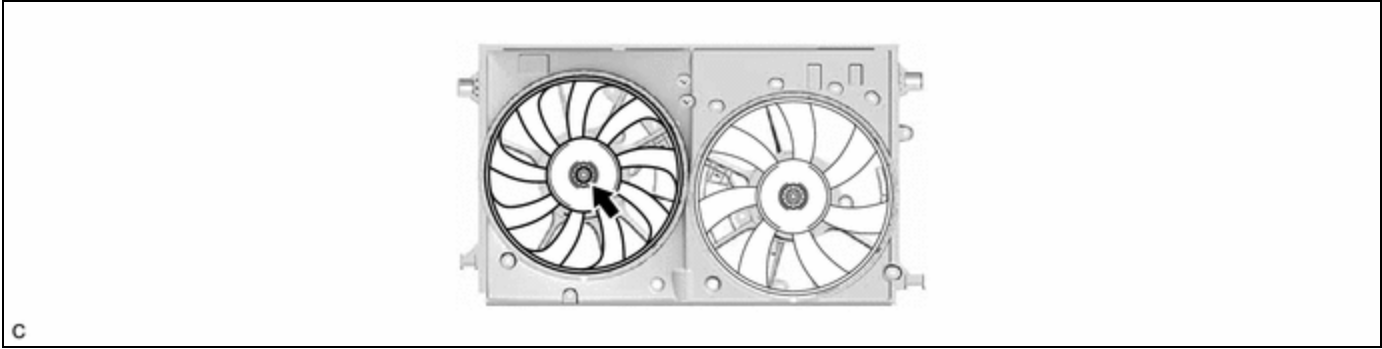


- (1) Disengage the 2 claws.
- (2) Disengage the 2 guides to remove the fan with motor assembly from the radiator assembly.

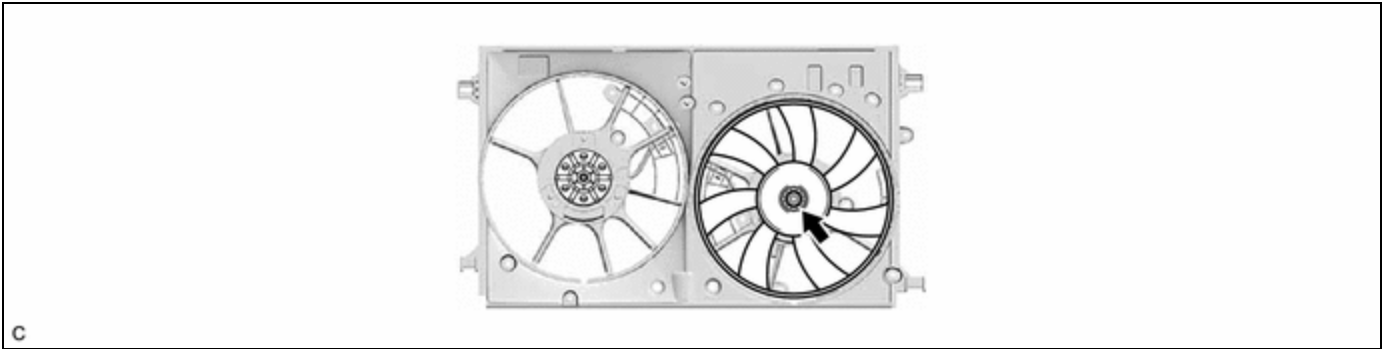
### NOTICE:

Do not damage the radiator assembly when removing the fan with motor assembly.

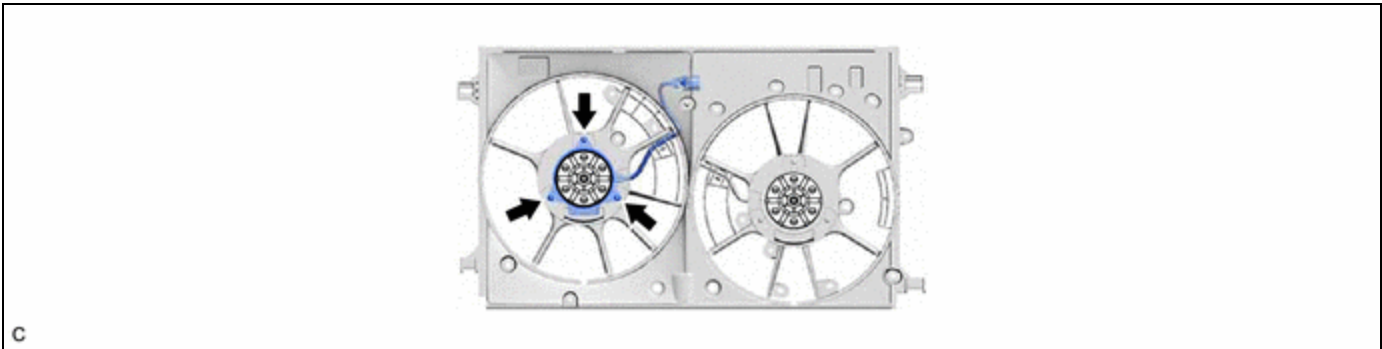
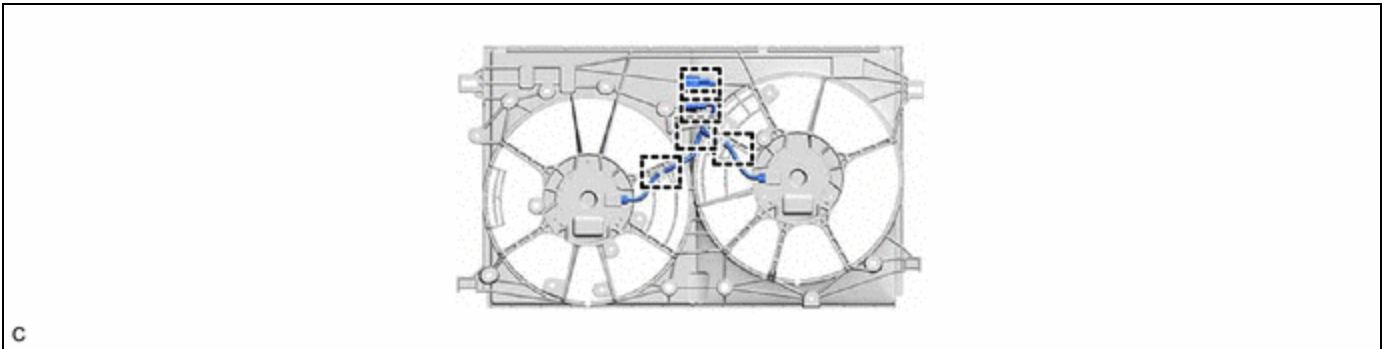
## 17. REMOVE FAN RH



**18. REMOVE FAN LH**



**19. REMOVE COOLING FAN MOTOR RH**



**20. REMOVE COOLING FAN MOTOR LH**

