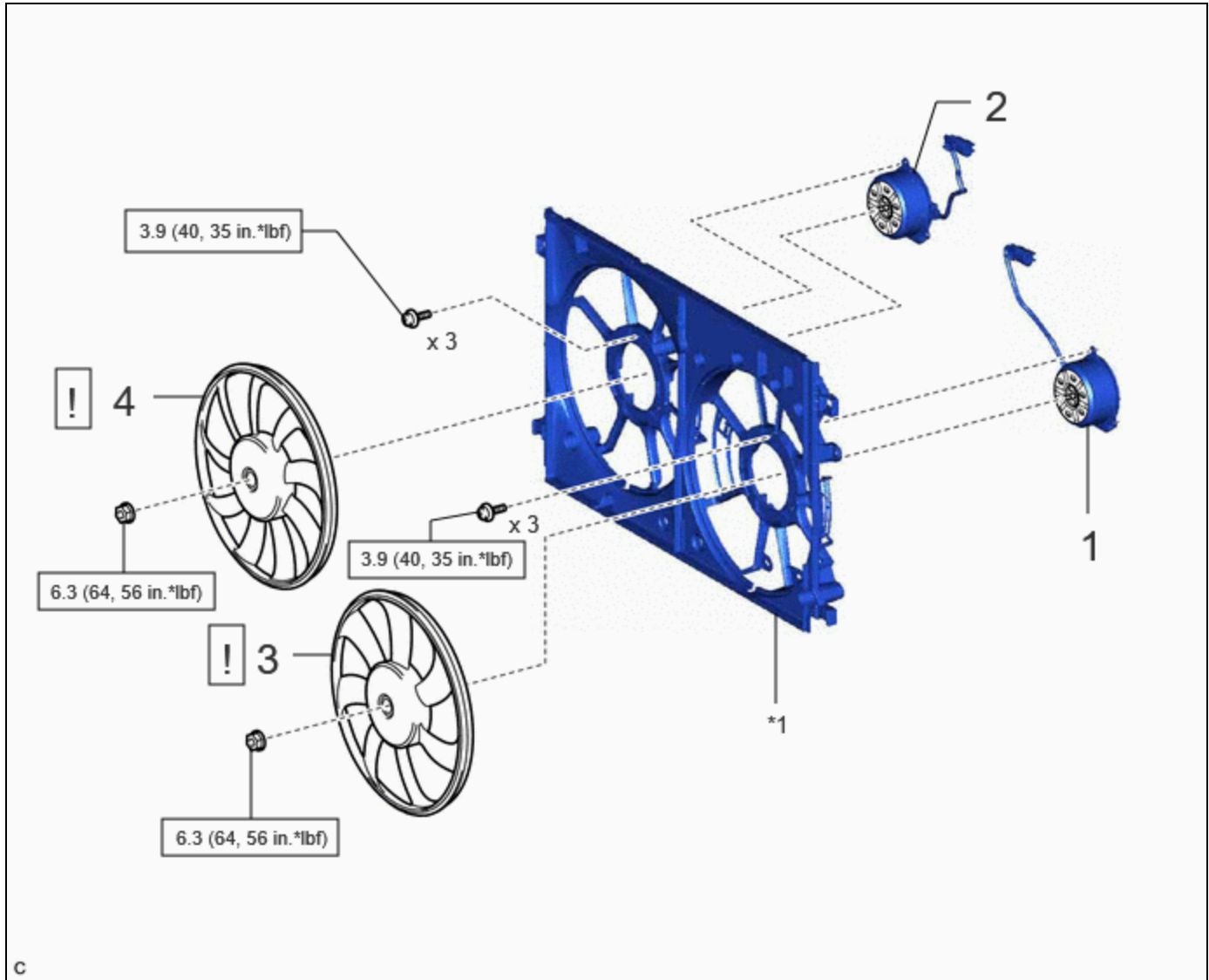


Last Modified: 12-04-2024	6.11:8.1.0	Doc ID: RM1000000029ITH
Model Year Start: 2023	Model: Prius	Prod Date Range: [12/2022 -]
Title: M20A-FXS (COOLING): COOLING FAN MOTOR (for HEV Model): INSTALLATION; 2023 - 2024 MY Prius [12/2022 -]		






INSTALLATION

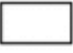
CAUTION / NOTICE / HINT

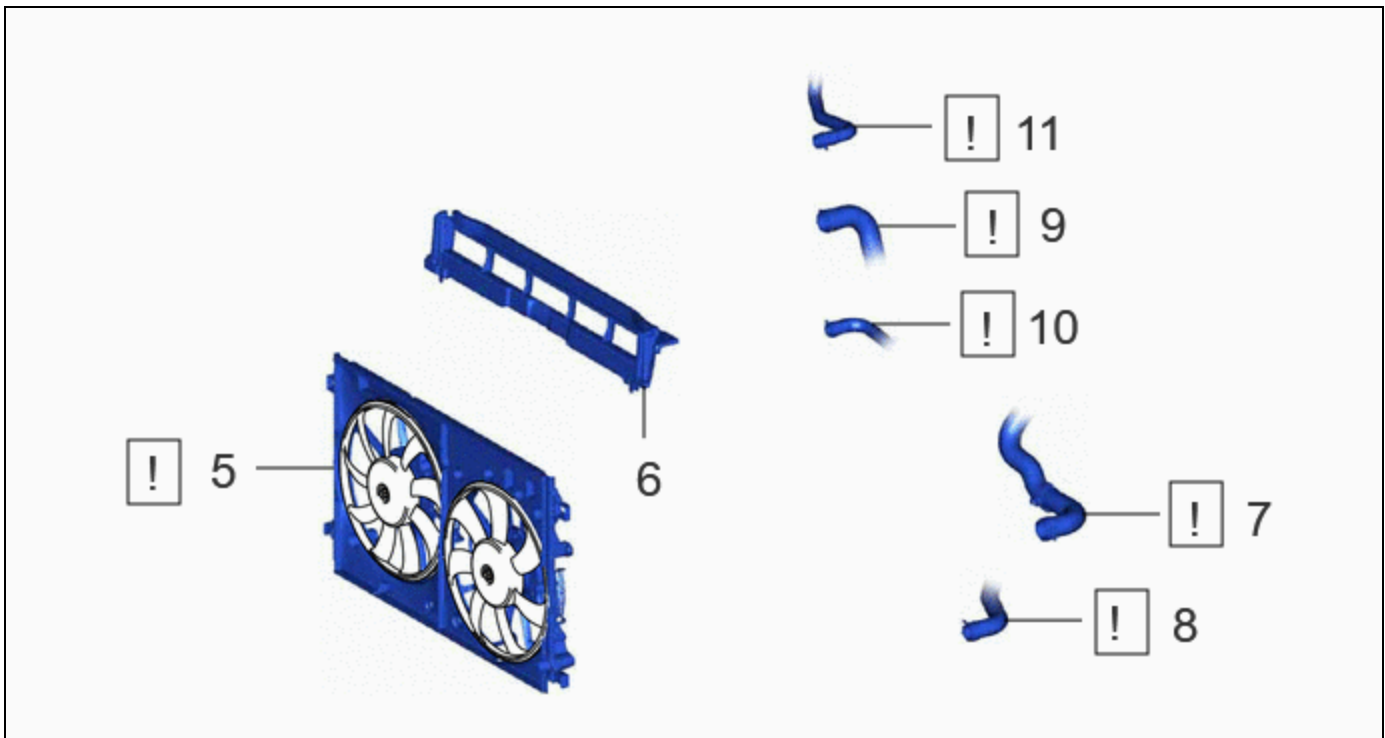
COMPONENTS (INSTALLATION)












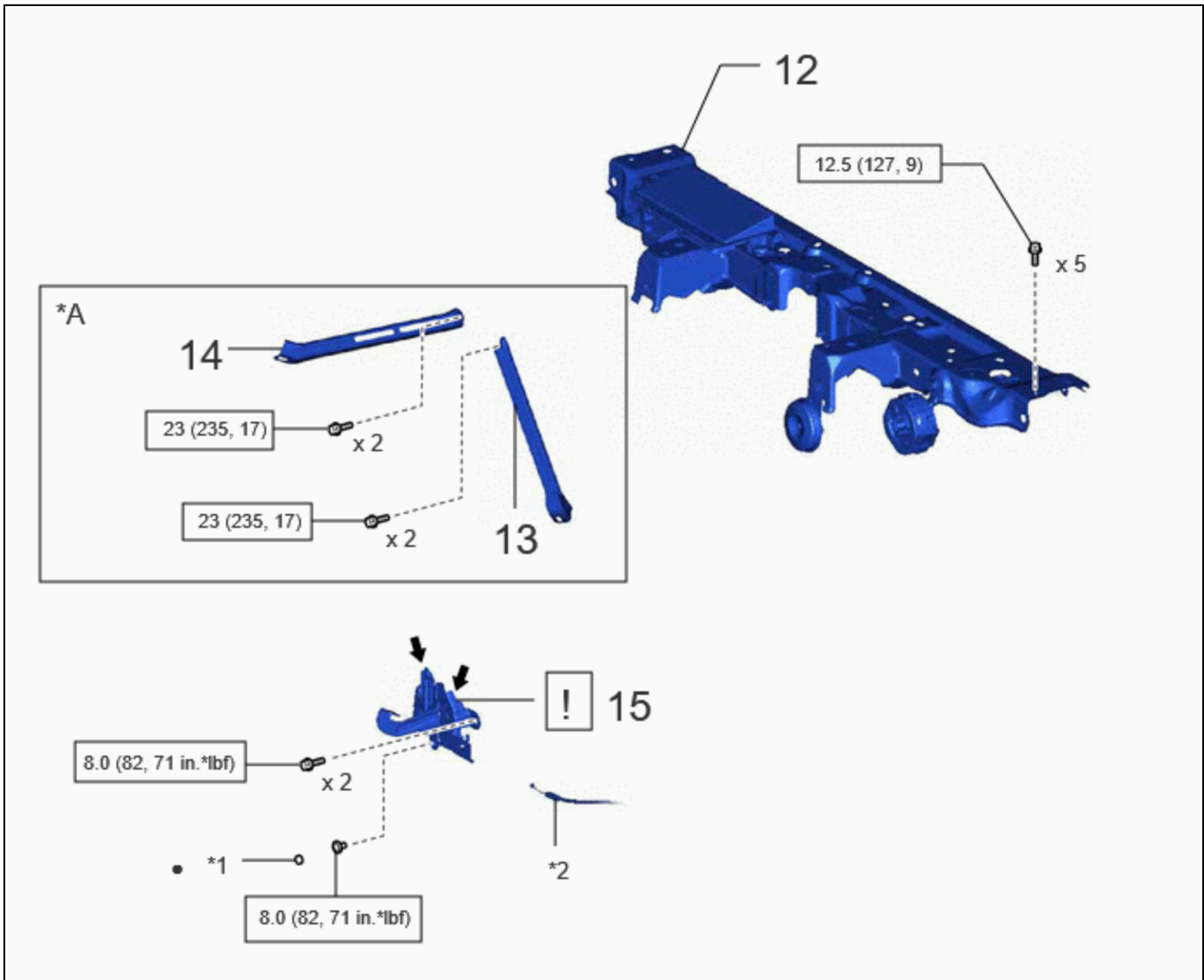
	PROCEDURE	PART NAME CODE			
1	COOLING FAN MOTOR LH	16363G	-	-	-
2	COOLING FAN MOTOR RH	16363F	-	-	-

PROCEDURE		PART NAME CODE			
3	FAN LH	16361K		-	-
4	FAN RH	16361J		-	-

*1	FAN SHROUD	-	-
	N*m (kgf*cm, ft.*lbf): Specified torque	-	-




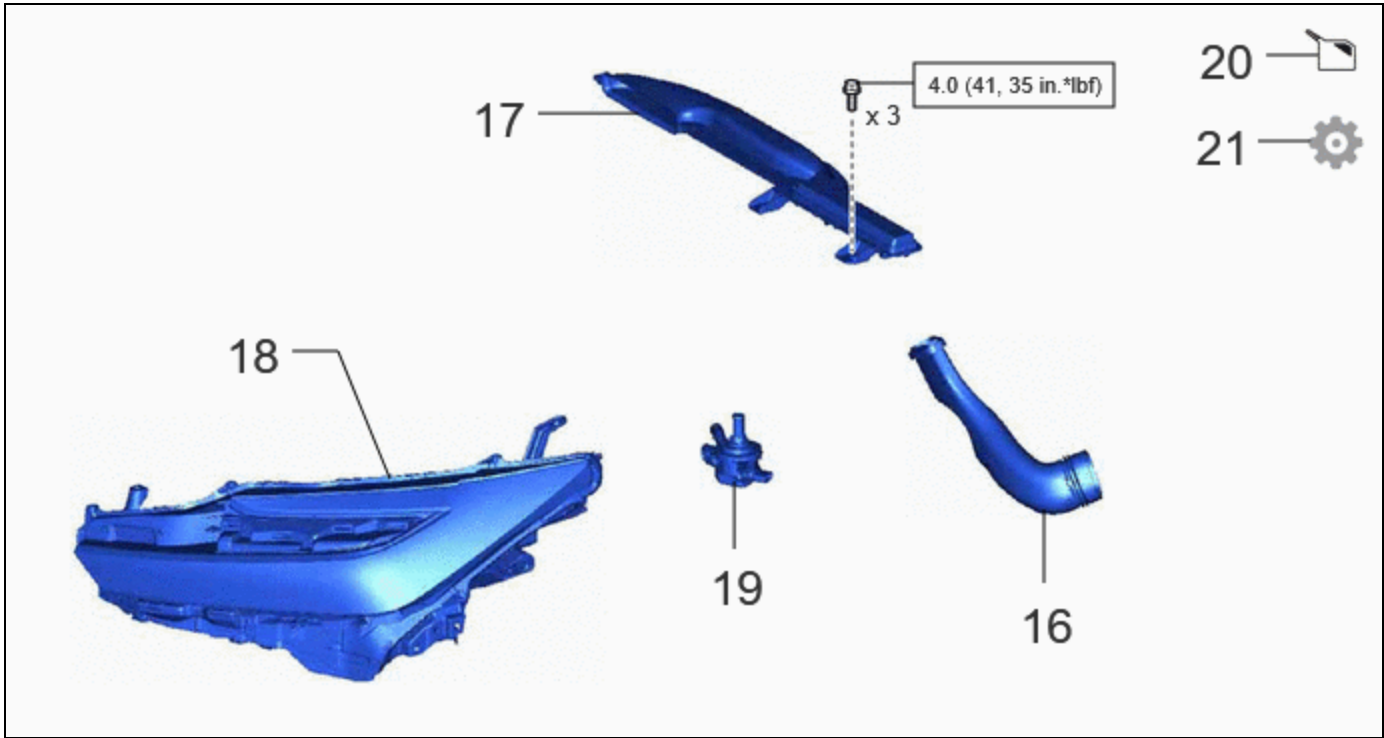
PROCEDURE		PART NAME CODE			
5	FAN WITH MOTOR ASSEMBLY	-		-	-
6	NO. 2 RADIATOR AIR GUIDE	16594A	-	-	-
7	NO. 1 RADIATOR HOSE	16571C		-	-
8	INLET NO. 1 INVERTER COOLING HOSE	G922AA		-	-
9	NO. 2 RADIATOR HOSE	16572D		-	-
10	INLET HYBRID RADIATOR HOSE	G922H		-	-
11	NO. 1 WATER BY-PASS HOSE	16261		-	-







PROCEDURE		PART NAME CODE			
12	UPPER RADIATOR SUPPORT SUB-ASSEMBLY	53205	-	-	-
13	RADIATOR MOUNTING BRACKET UPPER LH	53254A	-	-	-
14	RADIATOR MOUNTING BRACKET UPPER RH	53253D	-	-	-
15	HOOD LOCK ASSEMBLY	53510	INFO	-	-

*A	w/ Bracket	-	-
*1	HOOD LOCK NUT CAP	*2	HOOD LOCK CONTROL CABLE ASSEMBLY
	N*m (kgf*cm, ft.*lbf): Specified torque	•	Non-reusable part

	MP grease	-	-
---	-----------	---	---



PROCEDURE		PART NAME CODE			
16	INLET NO. 2 AIR CLEANER	17752	-	-	-
17	INLET NO. 1 AIR CLEANER	17751	-	-	-
18	HEADLIGHT ASSEMBLY	-	-	-	-
19	INVERTER WATER PUMP WITH MOTOR ASSEMBLY	G9040	-	-	-
20	ADD ENGINE COOLANT (for Engine)	-	-	INFO	-
21	INSPECT FOR COOLANT LEAK (for Engine)	-	-	-	INFO

	N*m (kgf*cm, ft.*lbf): Specified torque	-	-
---	---	---	---

PROCEDURE

1. INSTALL COOLING FAN MOTOR LH

Torque:

3.9 N·m {40 kgf·cm, 35 in·lbf}

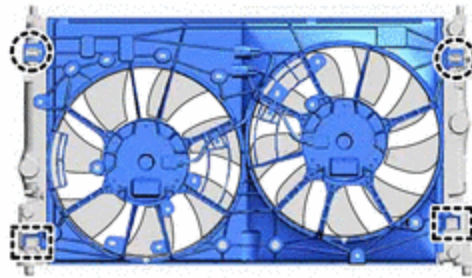
2. INSTALL COOLING FAN MOTOR RH

Torque:**3.9 N·m {40 kgf·cm, 35 in·lbf}****3. INSTALL FAN LH****NOTICE:**

Do not reverse the position of the fan LH and fan RH when installing them. Doing so may damage the parts.

Torque:**6.3 N·m {64 kgf·cm, 56 in·lbf}****4. INSTALL FAN RH****NOTICE:**

Do not reverse the position of the fan LH and fan RH when installing them. Doing so may damage the parts.

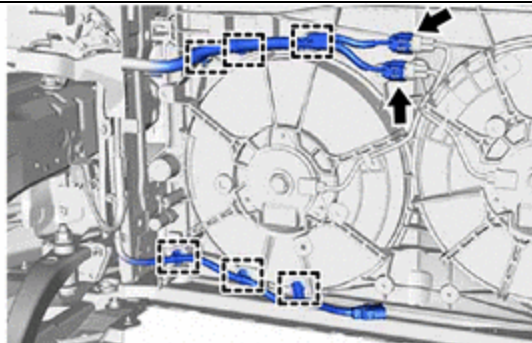
Torque:**6.3 N·m {64 kgf·cm, 56 in·lbf}****5. INSTALL FAN WITH MOTOR ASSEMBLY**

c

- (1) Engage the 2 guides.
- (2) Engage the 2 claws to install the fan with motor assembly to the radiator assembly.

NOTICE:

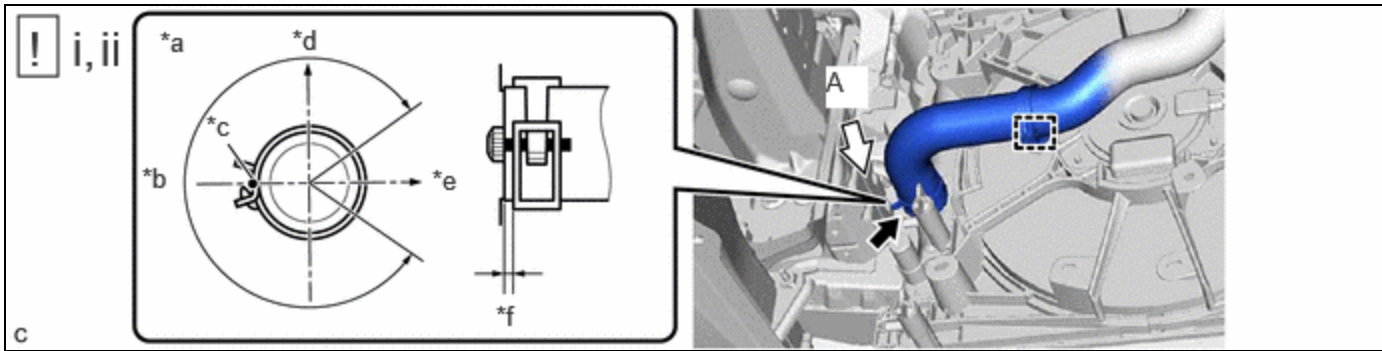
Do not damage the radiator assembly when installing the fan with motor assembly.



c

6. INSTALL NO. 2 RADIATOR AIR GUIDE

7. CONNECT NO. 1 RADIATOR HOSE



*a	View A	*b	290° (Tabs of Clip Installation Area)
*c	Paint Mark	*d	Upper Side of Vehicle
*e	Right Side of Vehicle	*f	2 to 6 mm (0.0787 to 0.236 in.)

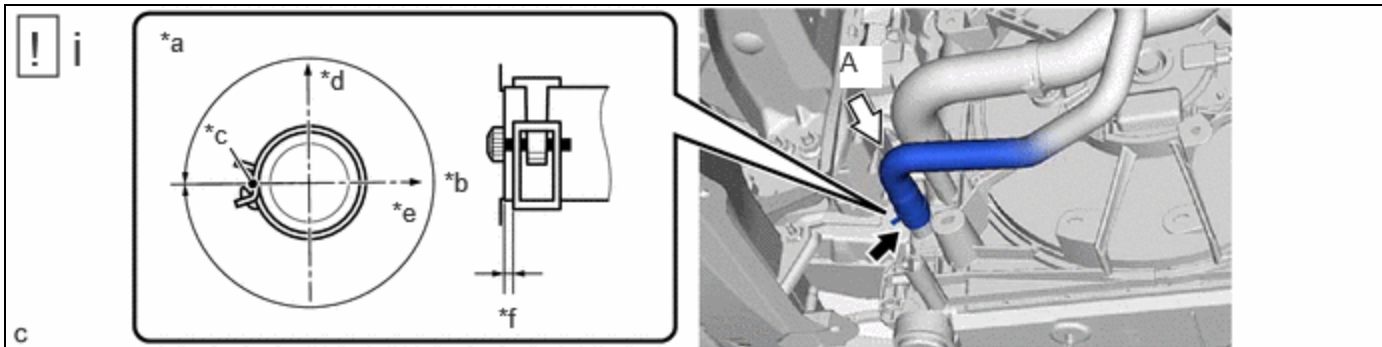
(1) Connect the No. 1 radiator hose to the radiator assembly and slide the clip to secure it.

NOTICE:

- Make sure to slide the No. 1 radiator hose until it contacts the hose stopper of the radiator assembly.
- Make sure that the tabs of the clip are within the area shown in the illustration.

(2) Engage the clamp to connect the No. 1 radiator hose to the fan with motor assembly.

8. CONNECT INLET NO. 1 INVERTER COOLING HOSE



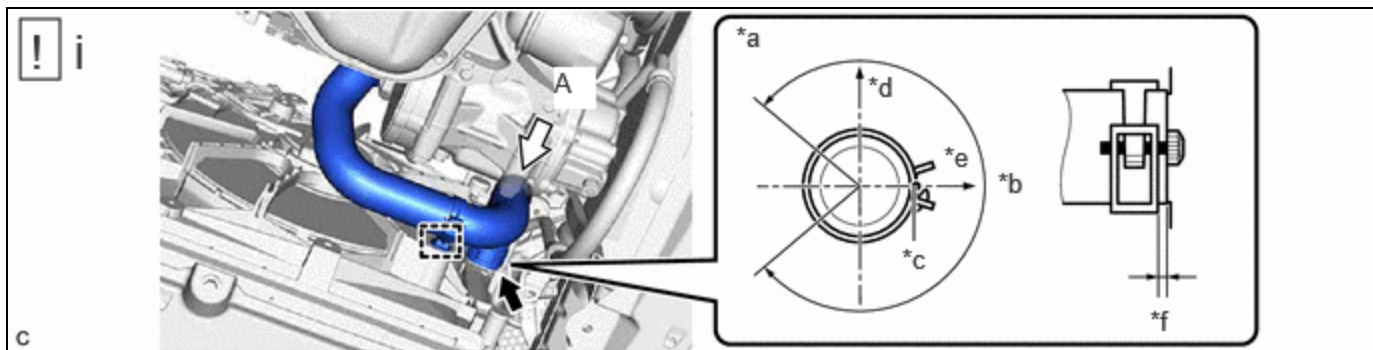
*a	View A	*b	360° (Tabs of Clip Installation Area)
*c	Paint Mark	*d	Upper Side of Vehicle
*e	Right Side of Vehicle	*f	2 to 6 mm (0.0787 to 0.236 in.)

(1) Connect the inlet No. 1 inverter cooling hose to the radiator assembly and slide the clip to secure it.

NOTICE:

- Make sure to slide the inlet No. 1 inverter cooling hose until it contacts the hose stopper of the radiator assembly.
- Make sure that the tabs of the clip are within the area shown in the illustration.

9. CONNECT NO. 2 RADIATOR HOSE



*a	View A	*b	280° (Tabs of Clip Installation Area)
*c	Paint Mark	*d	Upper Side of Vehicle
*e	Right Side of Vehicle	*f	2 to 6 mm (0.0787 to 0.236 in.)

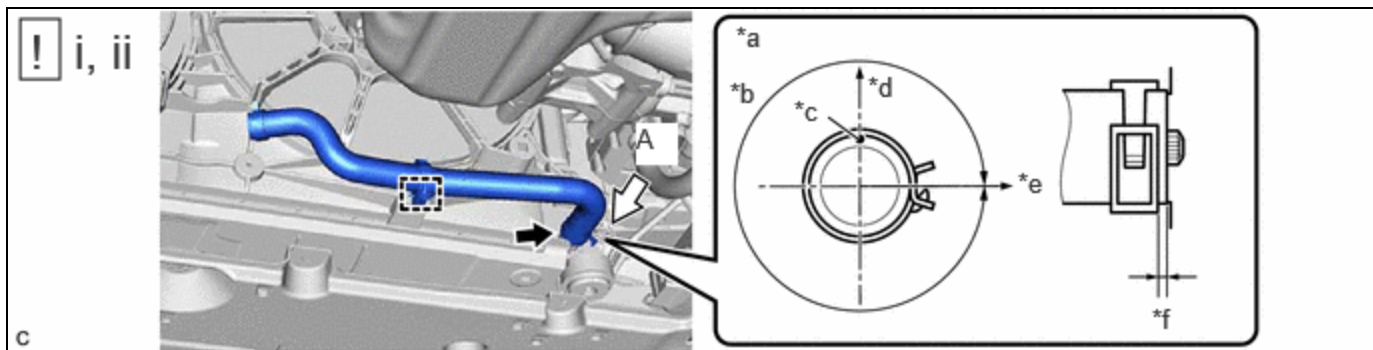
(1) Connect the No. 2 radiator hose to the radiator assembly and slide the clip to secure it.

NOTICE:

- Make sure to slide the No. 2 radiator hose until it contacts the hose stopper of the radiator assembly.
- Make sure that the tabs of the clip are within the area shown in the illustration.

(2) Engage the clamp to connect the No. 2 radiator hose to the fan with motor assembly.

10. CONNECT INLET HYBRID RADIATOR HOSE



*a	View A	*b	360° (Tabs of Clip Installation Area)
*c	Paint Mark	*d	Upper Side of Vehicle
*e	Right Side of Vehicle	*f	2 to 6 mm (0.0787 to 0.236 in.)

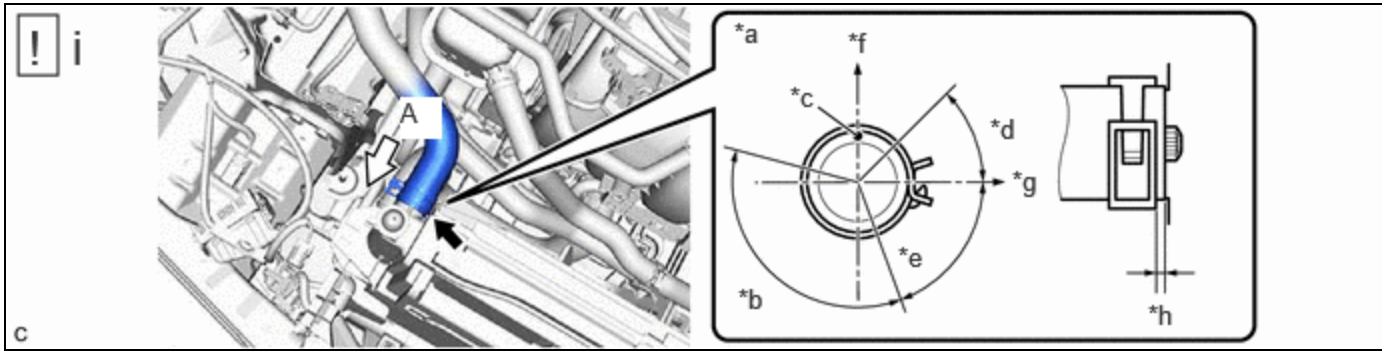
(1) Connect the inlet hybrid radiator hose to the radiator assembly and slide the clip to secure it.

NOTICE:

- Make sure to slide the inlet hybrid radiator hose until it contacts the hose stopper of the radiator assembly.
- Make sure that the tabs of the clip are within the area shown in the illustration.

(2) Engage the clamp to connect the inlet hybrid radiator hose to the fan shroud.

11. CONNECT NO. 1 WATER BY-PASS HOSE



*a	View A	*b	125° (Tabs of Clip Installation Area)
*c	70° (Tabs of Clip Installation Area)	*d	45° (Tabs of Clip Installation Area)
*e	Paint Mark	*f	Upper Side of Vehicle
*g	Right Side of Vehicle	*h	2 to 6 mm (0.0787 to 0.236 in.)

(1) Connect the No. 1 water by-pass hose to the radiator assembly and slide the clip to secure it.

NOTICE:

- Make sure to slide the No. 1 water by-pass hose until it contacts the hose stopper of the radiator assembly.
- Make sure that the tabs of the clip are within the area shown in the illustration.

12. INSTALL UPPER RADIATOR SUPPORT SUB-ASSEMBLY

Torque:

12.5 N·m {127 kgf·cm, 9 ft·lbf}

13. INSTALL RADIATOR MOUNTING BRACKET UPPER LH (w/ Bracket)

Click here [INFO](#)

14. INSTALL RADIATOR MOUNTING BRACKET UPPER RH (w/ Bracket)

Click here [INFO](#)

15. INSTALL HOOD LOCK ASSEMBLY

Click here [INFO](#)

16. INSTALL INLET NO. 2 AIR CLEANER

17. INSTALL INLET NO. 1 AIR CLEANER

Torque:

4.0 N·m {41 kgf·cm, 35 in·lbf}


18. INSTALL HEADLIGHT ASSEMBLY

Click here [INFO](#)

19. INSTALL INVERTER WATER PUMP WITH MOTOR ASSEMBLY

Click here [INFO](#)

20. ADD ENGINE COOLANT (for Engine)

Click here 

21. INSPECT FOR COOLANT LEAK (for Engine)

Click here 

