

Last Modified: 12-04-2024	6.11:8.1.0	Doc ID: RM1000000029UWD
Model Year Start: 2023	Model: Prius Prime	Prod Date Range: [12/2022 -]
Title: M20A-FXS (EMISSION CONTROL): PCV VALVE: INSPECTION; 2023 - 2024 MY Prius Prius Prime [12/2022 -]		

INSPECTION

PROCEDURE

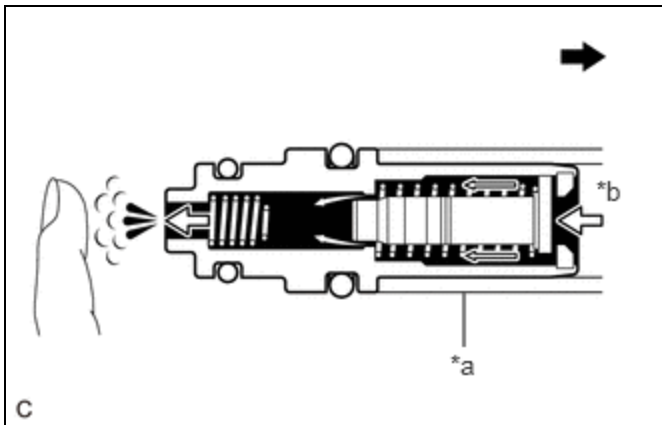
1. INSPECT PCV VALVE (VENTILATION VALVE SUB-ASSEMBLY)

Pre-procedure1

- (a) Install a hose to the PCV valve (ventilation valve sub-assembly).

Procedure1

- (b) Check PCV valve (ventilation valve sub-assembly) operation.
 - (1) Blow air into the cylinder head sub-assembly side, and check that air passes through easily.



*a	Hose
*b	Air
	Cylinder Head Sub-assembly Side

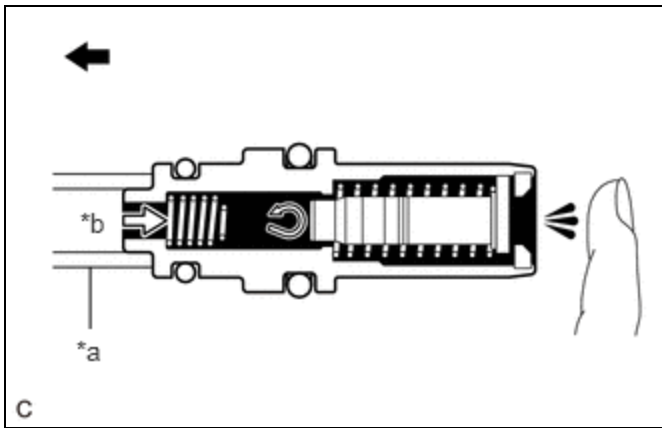
CAUTION:


Do not suck air through the valve.

Petroleum substances inside the valve are hazardous to your health.

If the result is not as specified, replace the PCV valve (ventilation valve sub-assembly).

- (2) Blow air into the intake manifold side, and check that air passes through with difficulty.



*a	Hose
*b	Air
	Intake Manifold Side

CAUTION:

Do not suck air through the valve.

Petroleum substances inside the valve are hazardous to your health.

If the result is not as specified, replace the PCV valve (ventilation valve sub-assembly).

Post-procedure1

(c) Remove the hose from the PCV valve (ventilation valve sub-assembly).

