

Last Modified: 12-04-2024	6.11:8.1.0	Doc ID: RM100000002BO25
Model Year Start: 2023	Model: Prius Prime	Prod Date Range: [03/2023 -]
Title: M20A-FXS (EMISSION CONTROL): EGR COOLER: REMOVAL; 2023 - 2024 MY Prius Prius Prime [03/2023 -]		

REMOVAL

CAUTION / NOTICE / HINT

The necessary procedures (adjustment, calibration, initialization or registration) that must be performed after parts are removed and installed, or replaced during EGR cooler assembly removal/installation are shown below.

Necessary Procedures After Parts Removed/Installed/Replaced

REPLACED PART OR PERFORMED PROCEDURE	NECESSARY PROCEDURE	EFFECT/INOPERATIVE FUNCTION WHEN NECESSARY PROCEDURE NOT PERFORMED	LINK
Replacement of inverter with converter assembly	ECU configuration	-	INFO
	Resolver learning	<ul style="list-style-type: none"> DTCs are stored Slight vibration at a vehicle speed of 5 km/h (3 mph) or less Shock or vibration during acceleration 	INFO
Gas leaks from exhaust system is repaired	Inspection after repair	<ul style="list-style-type: none"> Poor idle, etc. Engine start function, etc. 	INFO

NOTICE:

- After turning the power switch off, waiting time may be required before disconnecting the cable from the negative (-) auxiliary battery terminal.

[Click here](#) [INFO](#)

- This procedure includes the installation of small-head bolts. Refer to Small-Head Bolts of Basic Repair Hint to identify the small-head bolts.

[Click here](#) [INFO](#)

HINT:

When the cable is disconnected/reconnected to the auxiliary battery terminal, systems temporarily stop operating. However, each system has a function that completes learning the first time the system is used.

Learning completes when vehicle is driven

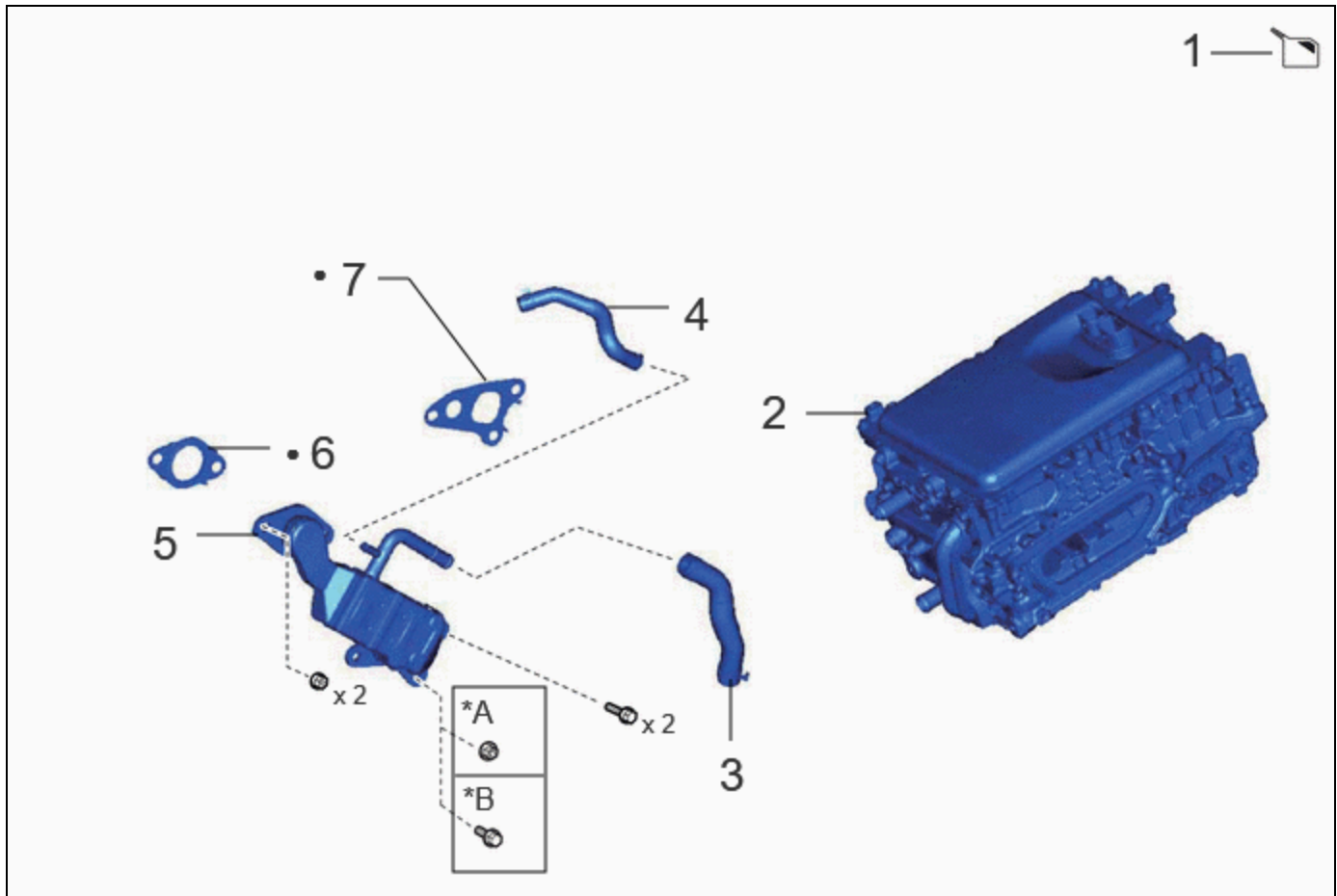
EFFECT/INOPERATIVE FUNCTION WHEN NECESSARY PROCEDURES ARE NOT PERFORMED	EFFECT/INOPERATIVE FUNCTION WHEN NECESSARY PROCEDURES ARE NOT PERFORMED	LINK
Front Camera System	Drive the vehicle straight ahead at 35 km/h (22 mph) or more for 5 seconds or more.	INFO




Learning completes when vehicle is operated normally

EFFECT/INOPERATIVE FUNCTION WHEN NECESSARY PROCEDURES ARE NOT PERFORMED	EFFECT/INOPERATIVE FUNCTION WHEN NECESSARY PROCEDURES ARE NOT PERFORMED	LINK
Power Door Lock Control System*1 ◦ Back door opener	Perform door unlock operation with door control switch or electrical key transmitter sub-assembly switch.	INFO
Power Back Door System*2	Reset back door close position	INFO
Air Conditioning System	<p>for HEV Model:</p> <p>After the ignition switch is turned to ON, the servo motor standard position is recognized.</p> <p>for PHEV Model:</p> <p>After the ignition switch is turned to ON, the servo motor and expansion valve standard position is recognized.</p>	-
<p>*1: w/o Power Back Door System</p> <p>*2: w/ Power Back Door System</p>		

CAUTION / NOTICE / HINT

COMPONENTS (REMOVAL)



	PROCEDURE	PART NAME CODE			
1	DRAIN ENGINE COOLANT	-	-	INFO	-
2	INVERTER WITH CONVERTER ASSEMBLY	G9200	-	-	-
3	NO. 3 WATER BY-PASS HOSE	16267	-	-	-
4	NO. 4 WATER BY-PASS HOSE	16281	-	-	-
5	EGR COOLER ASSEMBLY	25680	-	-	-
6	EGR VALVE GASKET	25627	-	-	-
7	NO. 1 EGR COOLER GASKET	25685	-	-	-

*A	for Type A	*B	for Type B
•	Non-reusable part	-	-

PROCEDURE

1. DRAIN ENGINE COOLANT (for Engine)

Click here [INFO](#)

2. REMOVE INVERTER WITH CONVERTER ASSEMBLY

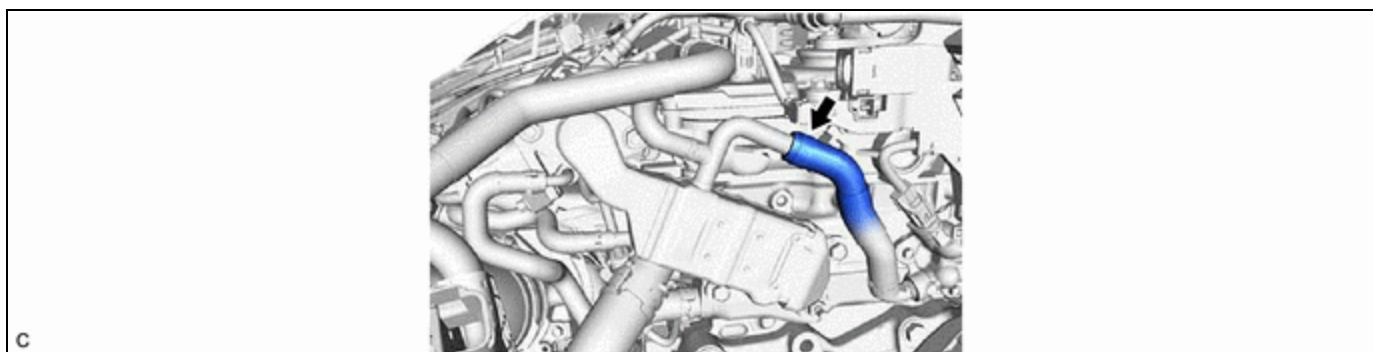
- for HEV Model:

Click here [INFO](#)

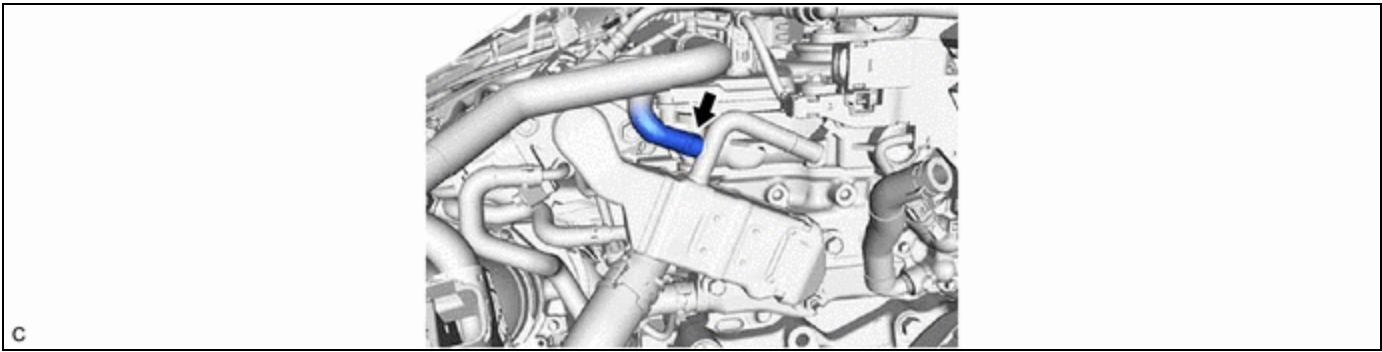
- for PHEV Model:

Click here [INFO](#)

3. DISCONNECT NO. 3 WATER BY-PASS HOSE

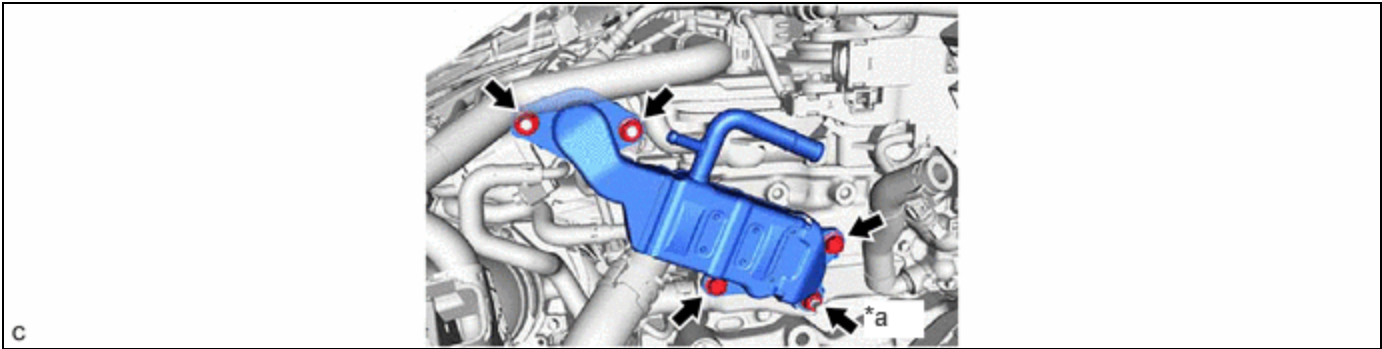


4. DISCONNECT NO. 4 WATER BY-PASS HOSE



c

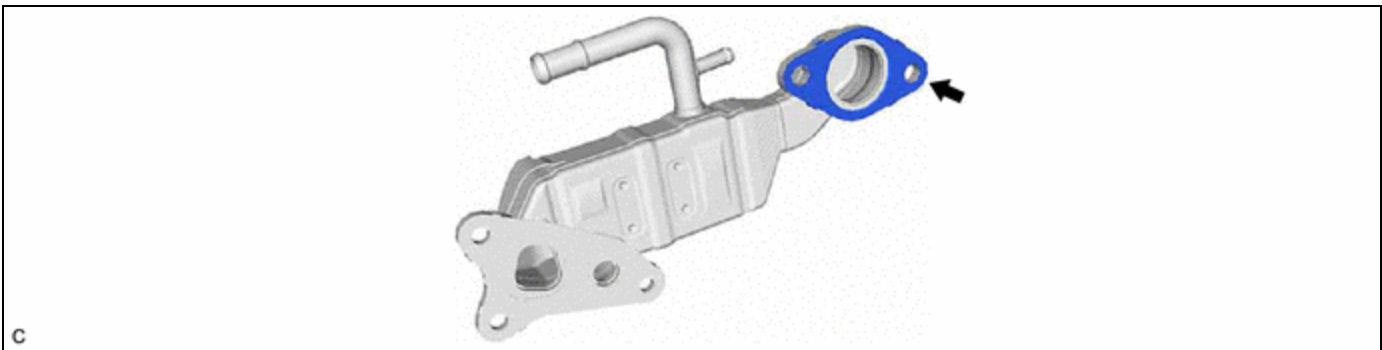
5. REMOVE EGR COOLER ASSEMBLY



c

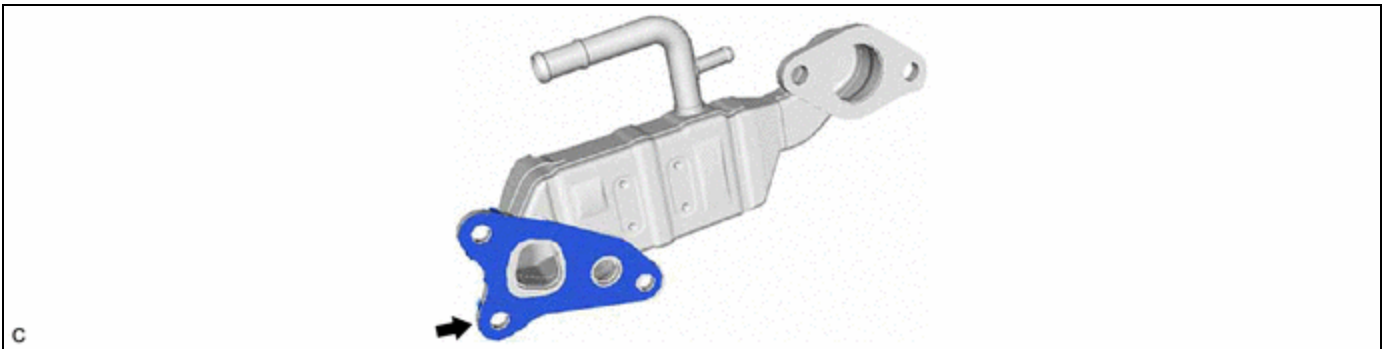
*a	Bolt or Nut	-	-
----	-------------	---	---

6. REMOVE EGR VALVE GASKET



c

7. REMOVE NO. 1 EGR COOLER GASKET



c

