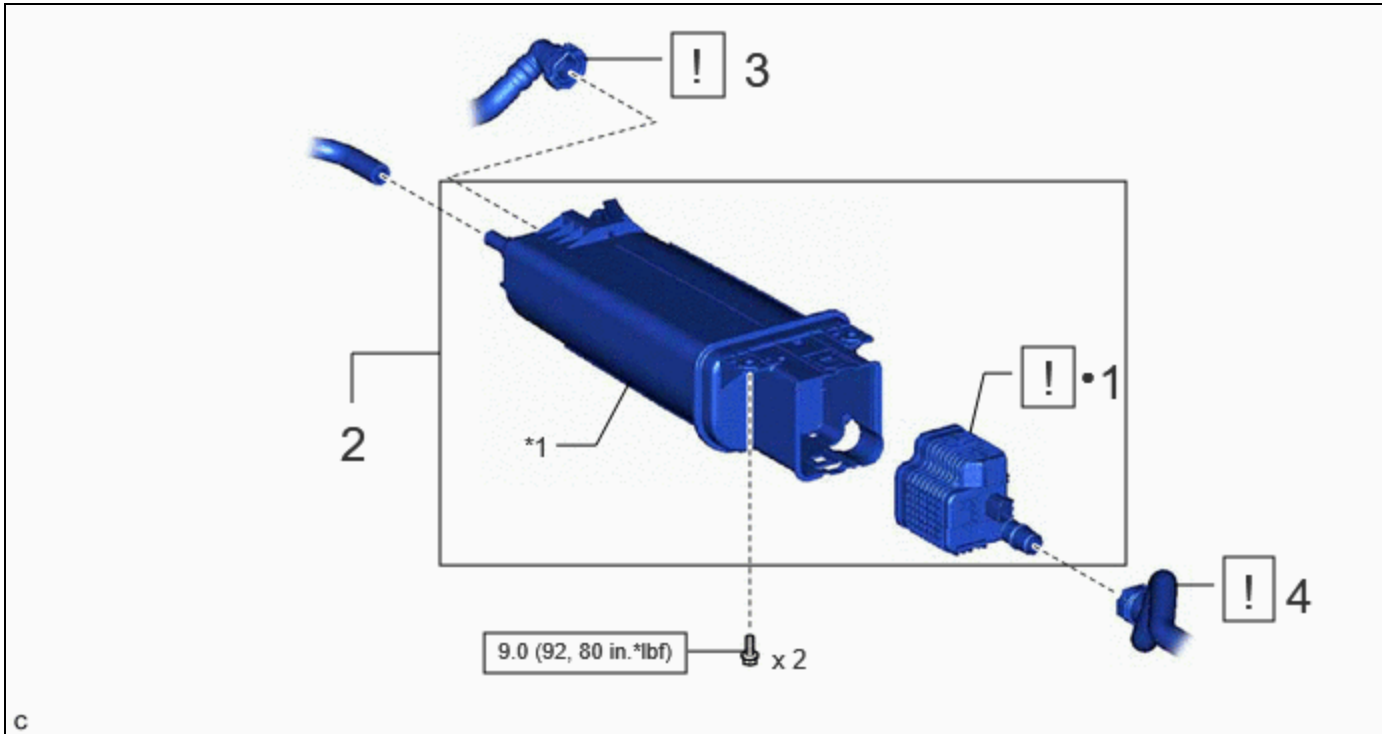


<b>Last Modified:</b> 12-04-2024	6.11:8.1.0	<b>Doc ID:</b> RM100000002AZYZ
<b>Model Year Start:</b> 2023	<b>Model:</b> Prius Prime	<b>Prod Date Range:</b> [03/2023 - ]
<b>Title:</b> M20A-FXS (EMISSION CONTROL): CANISTER (for PHEV Model): INSTALLATION; 2023 - 2024 MY Prius Prime [03/2023 - ]		

## INSTALLATION

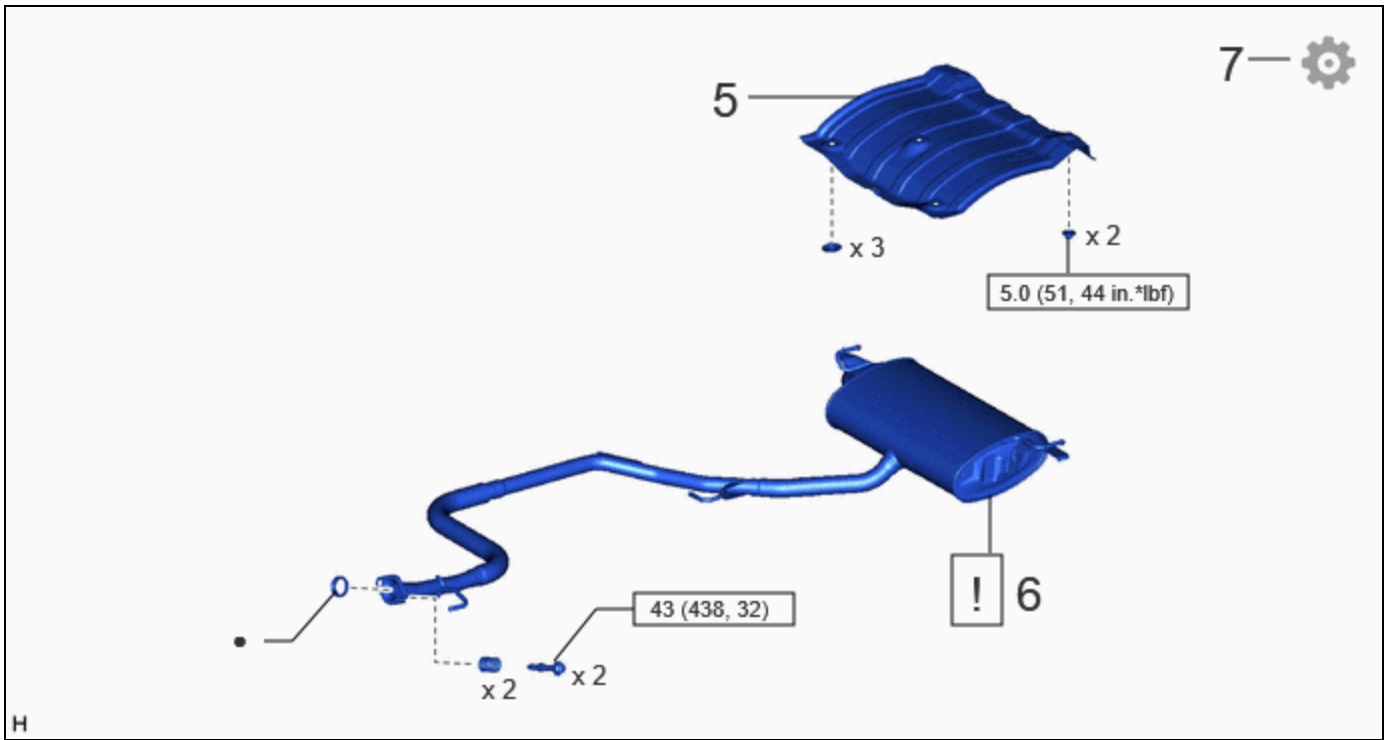
### CAUTION / NOTICE / HINT

#### COMPONENTS (INSTALLATION)



PROCEDURE		PART NAME CODE	!	📄	⚙️
1	LEAK DETECTION PUMP SUB-ASSEMBLY	77740R	INFO	-	-
2	CANISTER (CHARCOAL CANISTER ASSEMBLY)	77740	-	-	-
3	FUEL TANK VENT HOSE SUB-ASSEMBLY	77404	INFO	-	-
4	NO. 6 FUEL TANK BREATHER TUBE	-	INFO	-	-

*1	CHARCOAL CANISTER SUB-ASSEMBLY	-	-
	N*m (kgf*cm, ft.*lbf): Specified torque	-	-
•	Non-reusable part	-	-



PROCEDURE	PART NAME CODE			
5 UPPER MAIN MUFFLER HEAT INSULATOR	58327D	-	-	-
6 TAIL EXHAUST PIPE ASSEMBLY	17430	<a href="#">INFO</a>	-	-
7 INSPECT FOR EXHAUST GAS LEAK	-	-	-	<a href="#">INFO</a>

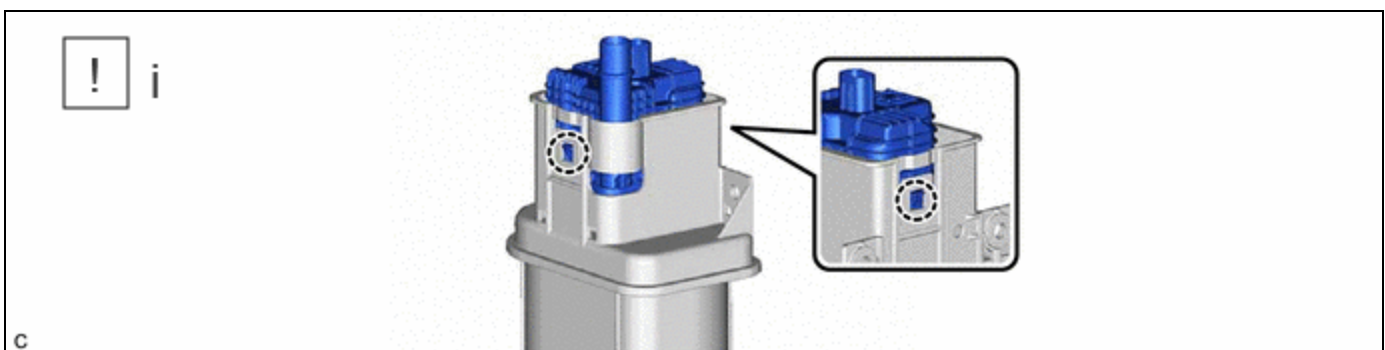
	N*m (kgf*cm, ft.*lbf): Specified torque	<ul style="list-style-type: none"><li>Non-reusable part</li></ul>
--	---	---

## PROCEDURE

### 1. INSTALL LEAK DETECTION PUMP SUB-ASSEMBLY

**HINT:**

Only perform this procedure when replacement of the leak detection pump sub-assembly is necessary.



- (1) Engage the 2 claws to install a new leak detection pump sub-assembly to the charcoal canister sub-assembly.

**NOTICE:**


- Do not allow foreign matter such as grease, oil or water to adhere to the O-ring.
- Ensure that the claws are engaged properly.

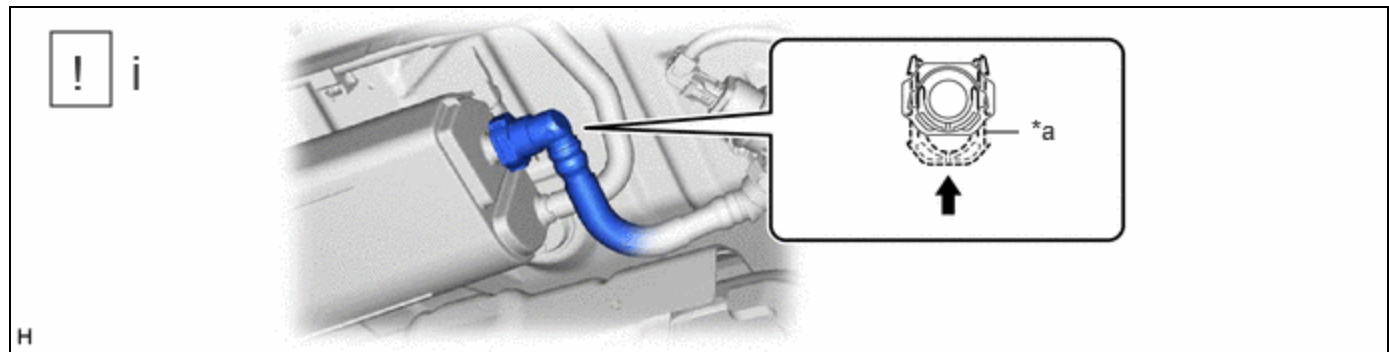
**2. INSTALL CANISTER (CHARCOAL CANISTER ASSEMBLY)**


**Torque:**

**9.0 N·m {92 kgf·cm, 80 in·lbf}**

**3. CONNECT FUEL TANK VENT HOSE SUB-ASSEMBLY**


	<p><b>NOTICE:</b></p> <ul style="list-style-type: none"> <li>• Check that there are no scratches or foreign matter around the connecting parts of the tube connector and pipe (canister (charcoal canister assembly)) before performing this work.</li> <li>• After connecting the fuel tank vent hose sub-assembly, check that the fuel tank vent hose sub-assembly is securely connected by pulling on the tube connector.</li> </ul>
---	---

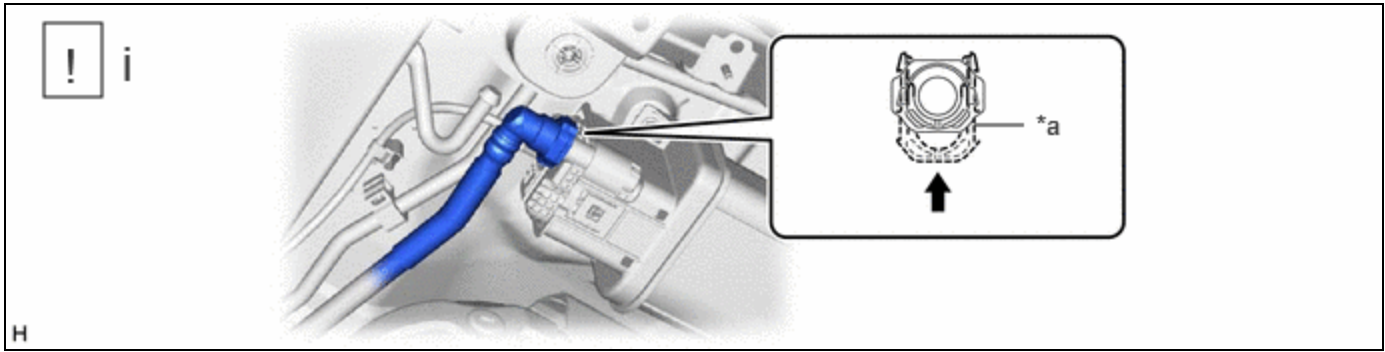


*a	Retainer	-	-
	Push in	-	-

- (1) Push the fuel tank vent hose sub-assembly onto the canister (charcoal canister assembly) and push in the retainer to engage the lock claws.

**4. CONNECT NO. 6 FUEL TANK BREATHER TUBE**

	<p><b>NOTICE:</b></p> <ul style="list-style-type: none"> <li>• Check that there are no scratches or foreign matter around the connecting parts of the tube connector and pipe (leak detection pump sub-assembly) before performing this work.</li> <li>• After connecting the No. 6 fuel tank breather tube, check that the No. 6 fuel tank breather tube is securely connected by pulling on the tube connector.</li> </ul>
---	--



*a	Retainer	-	-
	Push in	-	-

(1) Push in the No. 6 fuel tank breather tube to the pipe (leak detection pump sub-assembly) until the No. 6 fuel tank breather tube sub-assembly makes a "click" sound.

**5. INSTALL UPPER MAIN MUFFLER HEAT INSULATOR**

**Torque:**

**5.0 N·m {51 kgf·cm, 44 in·lbf}**

**6. INSTALL TAIL EXHAUST PIPE ASSEMBLY**

Click here [INFO](#)

**7. INSPECT FOR EXHAUST GAS LEAK**

(a) If gas is leaking, tighten the areas necessary to stop the leak. Replace damaged parts as necessary.

**HINT:**

Perform "Inspection After Repairs" after repairing or replacing the exhaust system.

Click here [INFO](#)

