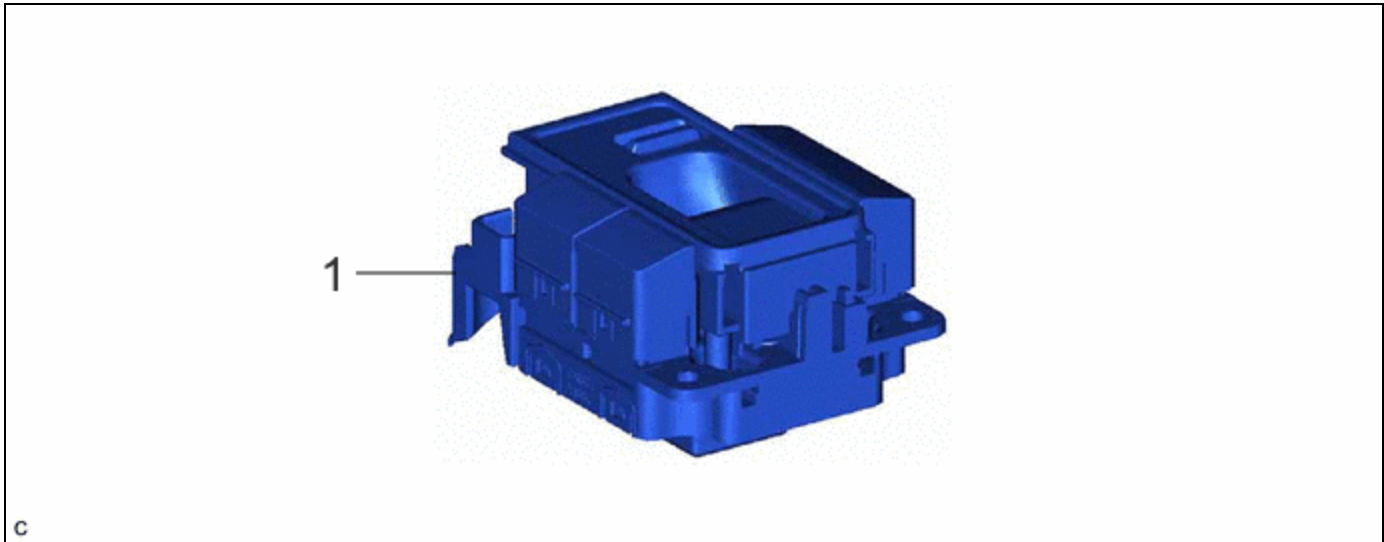


Last Modified: 12-04-2024	6.11:8.1.0	Doc ID: RM10000002A07K
Model Year Start: 2023	Model: Prius Prime	Prod Date Range: [12/2022 -]
Title: PA10/PB10/PB12 (HYBRID TRANSMISSION / TRANSAXLE): COMBINATION SWITCH: REMOVAL; 2023 - 2024 MY Prius Prius Prime [12/2022 -]		

REMOVAL

CAUTION / NOTICE / HINT

COMPONENTS (REMOVAL)



PROCEDURE		PART NAME CODE			
1	ELECTRIC PARKING BRAKE SWITCH ASSEMBLY	84390B	-	-	-

PROCEDURE

1. REMOVE ELECTRIC PARKING BRAKE SWITCH ASSEMBLY

Click here [INFO](#)

