

Last Modified: 12-04-2024	6.11:8.1.0	Doc ID: RM100000029TKC
Model Year Start: 2023	Model: Prius Prime	Prod Date Range: [12/2022 -]
Title: DRIVE SHAFT / PROPELLER SHAFT: REAR DRIVE SHAFT ASSEMBLY: REASSEMBLY; 2023 - 2024 MY Prius Prius Prime [12/2022 -]		

REASSEMBLY

CAUTION / NOTICE / HINT

NOTICE:

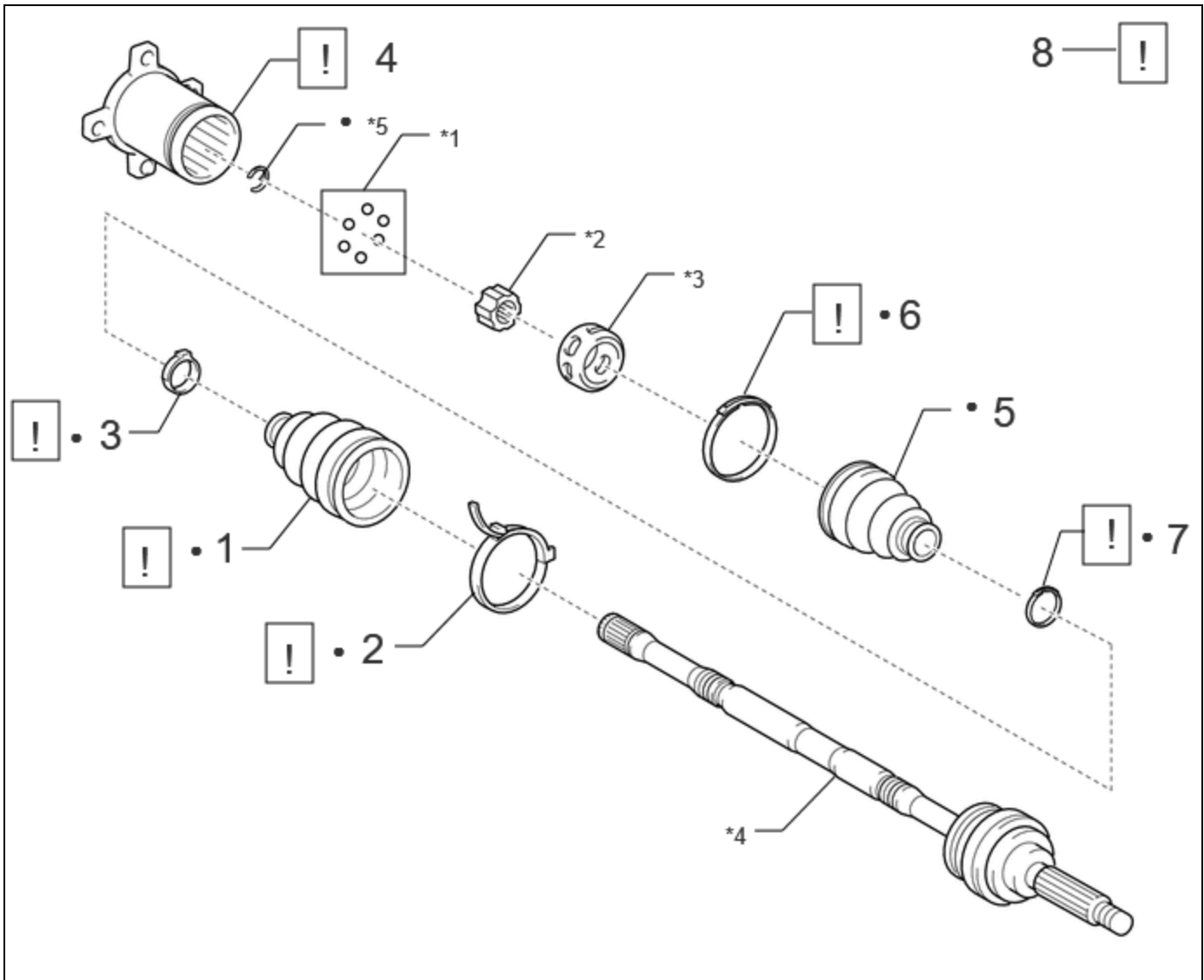
- When using a vise, place aluminum plates between the part and vise.
- When using a vise, do not overtighten it.

HINT:

- Use the same procedure for the RH side and LH side.
- The following procedure is for the LH side.

CAUTION / NOTICE / HINT

COMPONENTS (REASSEMBLY)



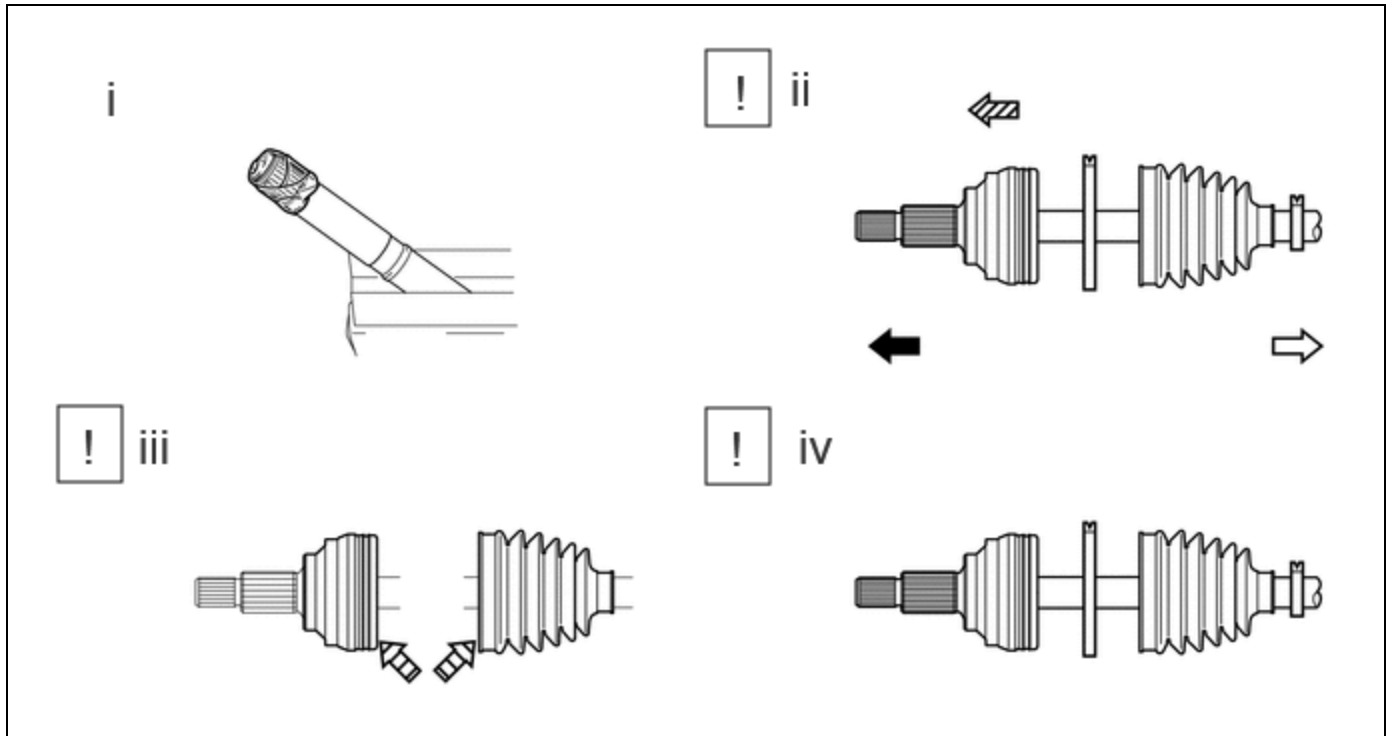
PROCEDURE		PART NAME CODE			
1	REAR DRIVE SHAFT OUTBOARD JOINT BOOT	-	INFO	-	-
2	REAR NO. 2 DRIVE SHAFT OUTBOARD JOINT BOOT CLAMP	42346F	INFO	-	-
3	REAR DRIVE SHAFT OUTBOARD JOINT BOOT CLAMP	42346D	INFO	-	-
4	REAR DRIVE SHAFT INBOARD JOINT ASSEMBLY	42360D	INFO	-	-
5	REAR DRIVE SHAFT INBOARD JOINT BOOT	-	-	-	-
6	REAR NO. 2 DRIVE SHAFT INBOARD JOINT BOOT CLAMP	42347F	INFO	-	-
7	REAR DRIVE SHAFT INBOARD JOINT BOOT CLAMP	42347D	INFO	-	-
8	REAR DRIVE SHAFT ASSEMBLY	42340B	INFO	-	-





*1	BALL	*2	INNER RACE
----	------	----	------------

*3	BALL CAGE	*4	REAR DRIVE SHAFT OUTBOARD JOINT SHAFT ASSEMBLY
*5	SHAFT SNAP RING	-	-
•	Non-reusable part	-	-

PROCEDURE

1. INSTALL REAR DRIVE SHAFT OUTBOARD JOINT BOOT



	Outboard Joint Side		Inboard Joint Side
	Parts insertion direction		Grease

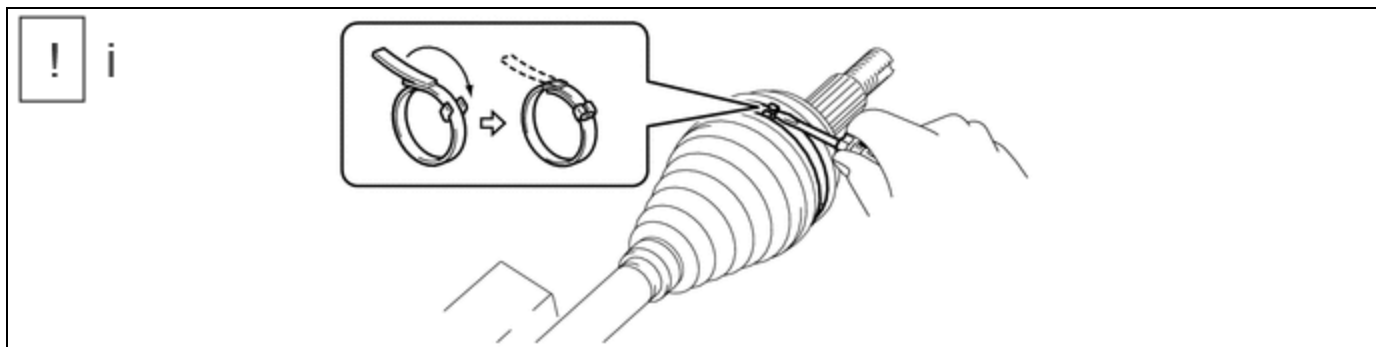
- (1) Wrap the splines of the rear drive shaft outboard joint shaft assembly with protective tape to prevent the boot from being damaged.
- (2) Install new parts to the rear drive shaft outboard joint shaft assembly in the following order:
 1. Rear No. 2 drive shaft outboard joint boot clamp
 2. Rear drive shaft outboard joint boot
 3. Rear drive shaft outboard joint boot clamp
- (3) Pack the joint portion of the rear drive shaft outboard joint shaft assembly and rear drive shaft outboard joint boot with grease.

Standard Grease Capacity:
37 to 47 g (1.31 to 1.66 oz.)

- (4) Install the rear drive shaft outboard joint boot to the rear drive shaft outboard joint shaft assembly groove.

NOTICE:

- Do not allow grease to adhere to the boot clamp track of the outboard joint boot.
- Keep the inside of the outboard joint boot free of foreign matter.

2. INSTALL REAR NO. 2 DRIVE SHAFT OUTBOARD JOINT BOOT CLAMP

- (1) Using a screwdriver, install the rear No. 2 drive shaft outboard joint boot clamp as shown in the illustration.

NOTICE:

Be careful not to damage the rear drive shaft outboard joint boot.

3. INSTALL REAR DRIVE SHAFT OUTBOARD JOINT BOOT CLAMP

- (1) Install the rear drive shaft outboard joint boot clamp to the rear drive shaft outboard joint boot.
- (2) Place SST onto the rear drive shaft outboard joint boot clamp, press it against the boot and slightly tighten SST.

SST: 09521-24010

- (3) Tighten SST so that the rear drive shaft outboard joint boot clamp is pinched.

NOTICE:

Do not overtighten SST.

- (4) Remove SST.
- (5) Using SST, measure the clearance of the rear drive shaft outboard joint boot clamp.

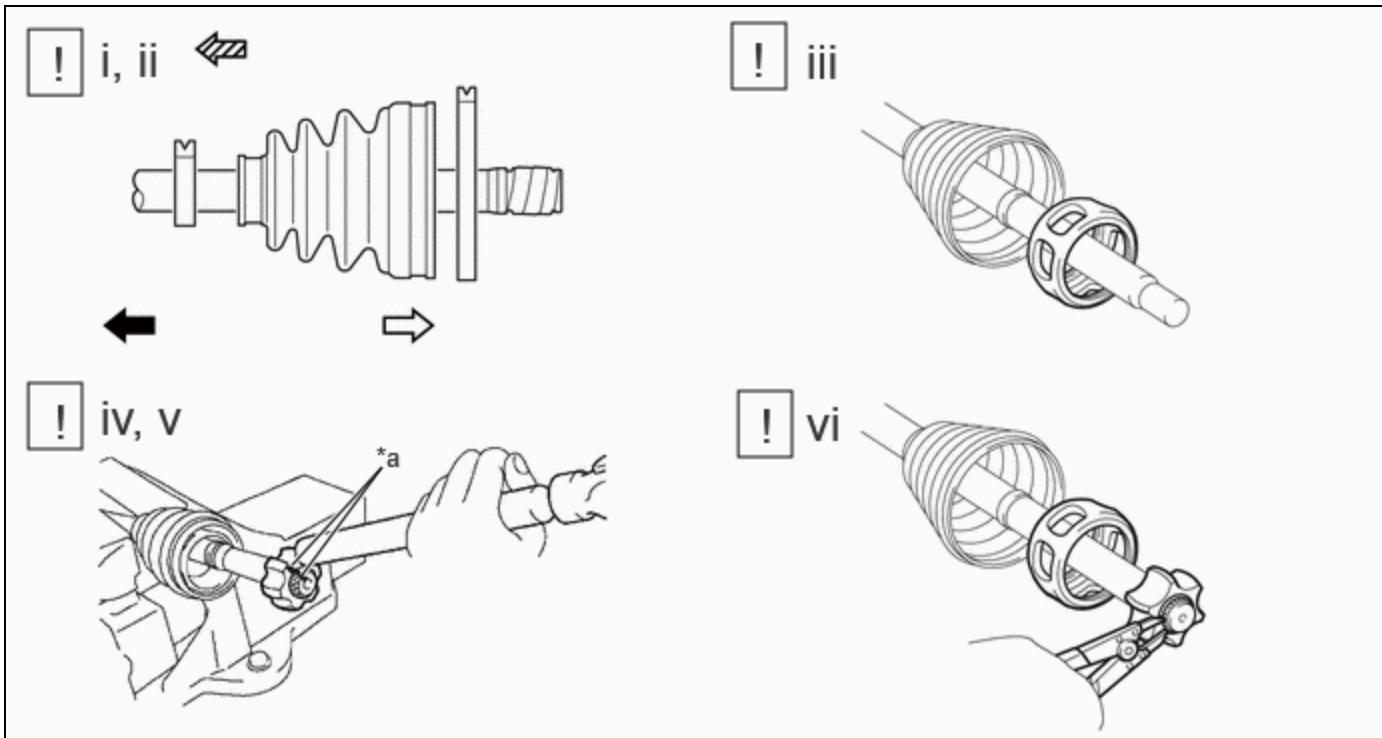
SST: 09240-00021

Clearance:

1.2 mm (0.0472 in.) or less

If the clearance is not as specified, retighten SST.

4. INSTALL REAR DRIVE SHAFT INBOARD JOINT ASSEMBLY



*a	Matchmark	-	-
	Outboard Joint Side		Inboard Joint Side
	Parts insertion direction	-	-

(1) Install new parts to the rear drive shaft outboard joint shaft assembly in the following order:

1. Rear drive shaft inboard joint boot clamp
2. Rear drive shaft inboard joint boot
3. Rear No. 2 drive shaft inboard joint boot clamp

(2) Remove the protective tape.

(3) Install the ball cage to the rear drive shaft outboard joint shaft assembly.

NOTICE:

Face the smaller inside diameter side to the rear drive shaft outboard joint shaft assembly.

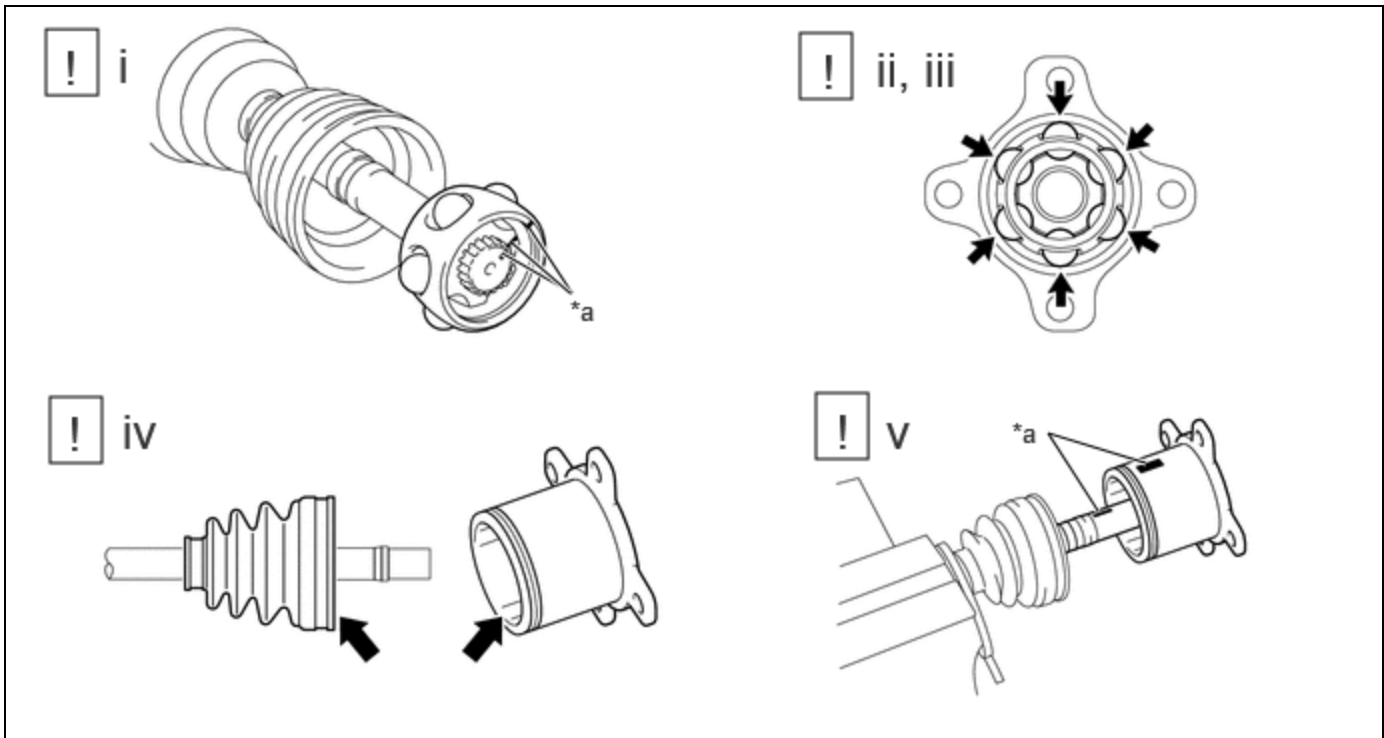
(4) Align the matchmarks placed before removal.

(5) Using a brass bar and a hammer, install the inner race to the rear drive shaft outboard joint shaft assembly.

NOTICE:

Be careful not to damage the inner race.

(6) Using a snap ring expander, install a new shaft snap ring to the rear drive shaft outboard joint shaft assembly.



*a	Matchmark	-	-
	Grease	-	-

- (1) Align the matchmarks and install the ball cage to the inner race.
- (2) Apply grease to the balls to keep them from falling.
- (3) Install the 6 balls with grease to the inner race.

NOTICE:

Be careful not to drop the balls.

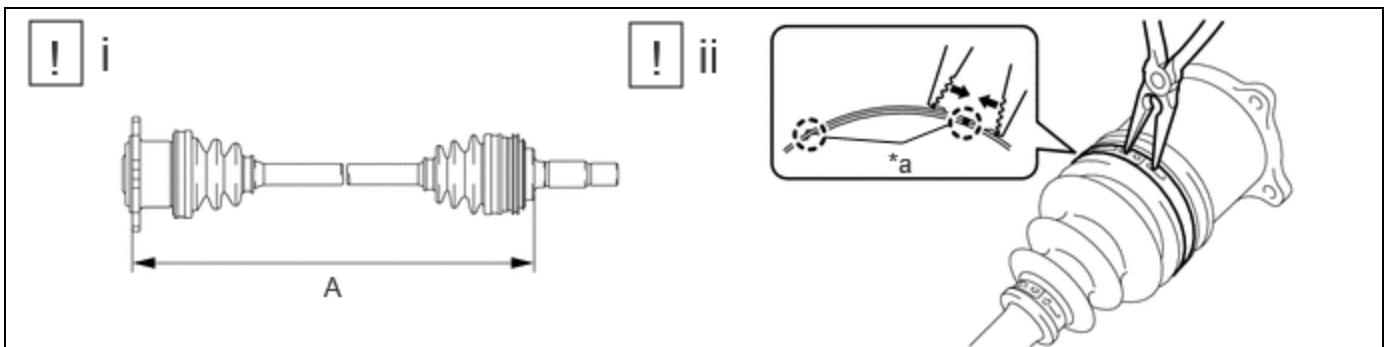
- (4) Pack the rear drive shaft inboard joint assembly and rear drive shaft inboard joint boot with grease.

Standard Grease Capacity:
102 to 112 g (3.60 to 3.95 oz.)

- (5) Align the matchmarks and install the rear drive shaft inboard joint assembly to the rear drive shaft outboard joint shaft assembly.

5. INSTALL REAR DRIVE SHAFT INBOARD JOINT BOOT

6. INSTALL REAR NO. 2 DRIVE SHAFT INBOARD JOINT BOOT CLAMP



*a	Claw	-	-
----	------	---	---

(1) Check whether the dimension (A) of each drive shaft is within specification.

Dimension (A):

502.1 to 512.1 mm (1.65 to 1.68 ft.)

(2) Using needle-nose pliers, engage the 2 claws to install the rear No. 2 drive shaft inboard joint boot clamp as shown in the illustration.

NOTICE:

Be careful not to damage the rear drive shaft inboard joint boot.

7. INSTALL REAR DRIVE SHAFT INBOARD JOINT BOOT CLAMP

(a) Perform the same procedure as for the rear No. 2 drive shaft inboard joint boot clamp.

8. INSPECT REAR DRIVE SHAFT ASSEMBLY

Click here [INFO](#)

