

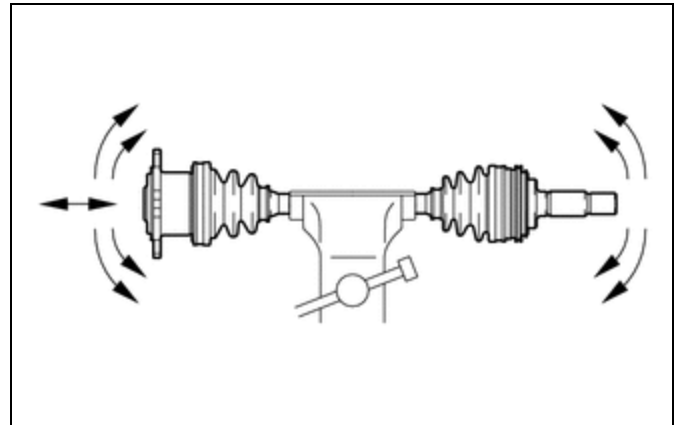
Last Modified: 12-04-2024	6.11:8.1.0	Doc ID: RM100000029TKB
Model Year Start: 2023	Model: Prius Prime	Prod Date Range: [12/2022 -]
Title: DRIVE SHAFT / PROPELLER SHAFT: REAR DRIVE SHAFT ASSEMBLY: INSPECTION; 2023 - 2024 MY Prius Prius Prime [12/2022 -]		

INSPECTION

PROCEDURE

1. INSPECT REAR DRIVE SHAFT ASSEMBLY

(a) Check that there is no excessive play in the radial direction of the outboard joint.



- (b) Check that the inboard joint slides smoothly in the thrust direction.
- (c) Check that there is no excessive play in the radial direction of the inboard joint.
- (d) Check the boots for damage.

(e) Check whether each drive shaft dimension (A) is within specification.

NOTICE:

Keep the drive shaft assembly level during inspection.

Dimension (A)

SPECIFIED CONDITION	RESULT
502.1 to 512.1 mm 1.65 to 1.68 ft.	mm ft.

