

Last Modified: 12-04-2024	6.11:8.1.0	Doc ID: RM100000029YM2
Model Year Start: 2023	Model: Prius Prime	Prod Date Range: [12/2022 -]
Title: Q810 (HYBRID TRANSMISSION / TRANSAXLE): REAR TRACTION MOTOR: REMOVAL; 2023 - 2024 MY Prius Prius Prime [12/2022 -]		

REMOVAL

CAUTION / NOTICE / HINT

The necessary procedures (adjustment, calibration, initialization or registration) that must be performed after parts are removed and installed, or replaced during rear traction motor with transaxle assembly removal/installation are shown below.

Necessary Procedures after parts removed/installed/replaced

REPLACED PART OR PERFORMED PROCEDURE	NECESSARY PROCEDURE	EFFECT/INOPERATIVE FUNCTION WHEN NECESSARY PROCEDURE NOT PERFORMED	LINK
Gas leak from exhaust system is repaired	Inspection after repair	<ul style="list-style-type: none"> Poor idle, etc. Engine start function, etc. 	INFO
Replacement of rear traction motor with transaxle assembly	<ul style="list-style-type: none"> Resolver learning Initialize resolver 	<ul style="list-style-type: none"> DTCs are stored Slight vibration at a vehicle speed of 5 km/h (3 mph) or less Shock or vibration during acceleration 	INFO
Suspension parts	Rear television camera assembly optical axis (Back camera position setting)	Parking Assist Monitor System	INFO
	Parking assist ECU initialization	Panoramic View Monitor System	INFO
		Advanced Park	INFO
Tires	<ul style="list-style-type: none"> Initialization*1*2 Tire Position Identification*1*2 	Tire Pressure Warning System	Refer to Procedures Necessary When Replacing Parts (for Tire Pressure Warning System) table below INFO
	Rear television camera assembly optical axis (Back camera position setting)	Parking Assist Monitor System	INFO
	Parking assist ECU initialization	Panoramic View Monitor System	INFO

*1: Also necessary after performing a tire rotation.

*2: It is not necessary to perform this procedure if the tire pressure warning valve and transmitters are installed to the same location.

REPLACED PART OR PERFORMED PROCEDURE	NECESSARY PROCEDURE	EFFECT/INOPERATIVE FUNCTION WHEN NECESSARY PROCEDURE NOT PERFORMED	LINK
		Advanced Park	INFO
Rear wheel alignment adjustment	Perform "Calibration"	<ul style="list-style-type: none"> • DTCs are stored • ABS warning light illuminates • Brake system warning light (yellow indicator) illuminates • Slip indicator light illuminates • Electronically controlled brake system disabled or malfunctions 	INFO
<p>*1: Also necessary after performing a tire rotation.</p> <p>*2: It is not necessary to perform this procedure if the tire pressure warning valve and transmitters are installed to the same location.</p>			

CAUTION:

- Orange wire harnesses and connectors indicate high-voltage circuits. To prevent electric shock, always follow the



procedure described in the repair manual.

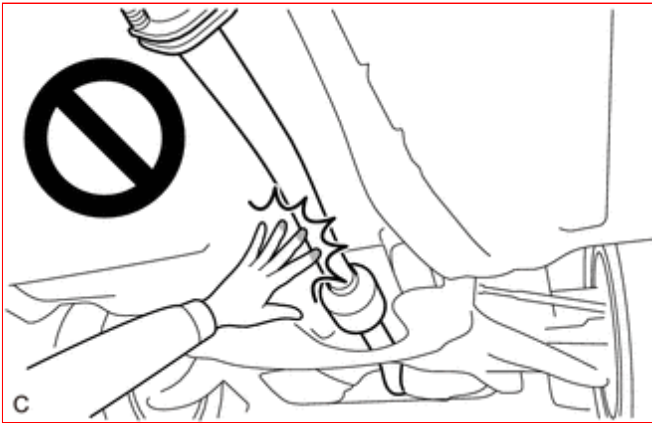
[Click here](#) [INFO](#)

- To prevent electric shock, wear insulated gloves when working on wire harnesses and components of the high



voltage system.

- To prevent burns, do not touch the engine, exhaust pipe or other high temperature components while the engine is



hot.

HINT:

When the cable is disconnected / reconnected to the auxiliary battery terminal, systems temporarily stop operating. However, each system has a function that completes learning the first time the system is used.

Learning completes when vehicle is driven

EFFECT/INOPERATIVE FUNCTION WHEN NECESSARY PROCEDURE NOT PERFORMED	NECESSARY PROCEDURE	LINK
Front Camera System	Drive the vehicle straight ahead at 35 km/h (22 mph) or more for 5 seconds or more.	INFO

Learning completes when vehicle is operated normally

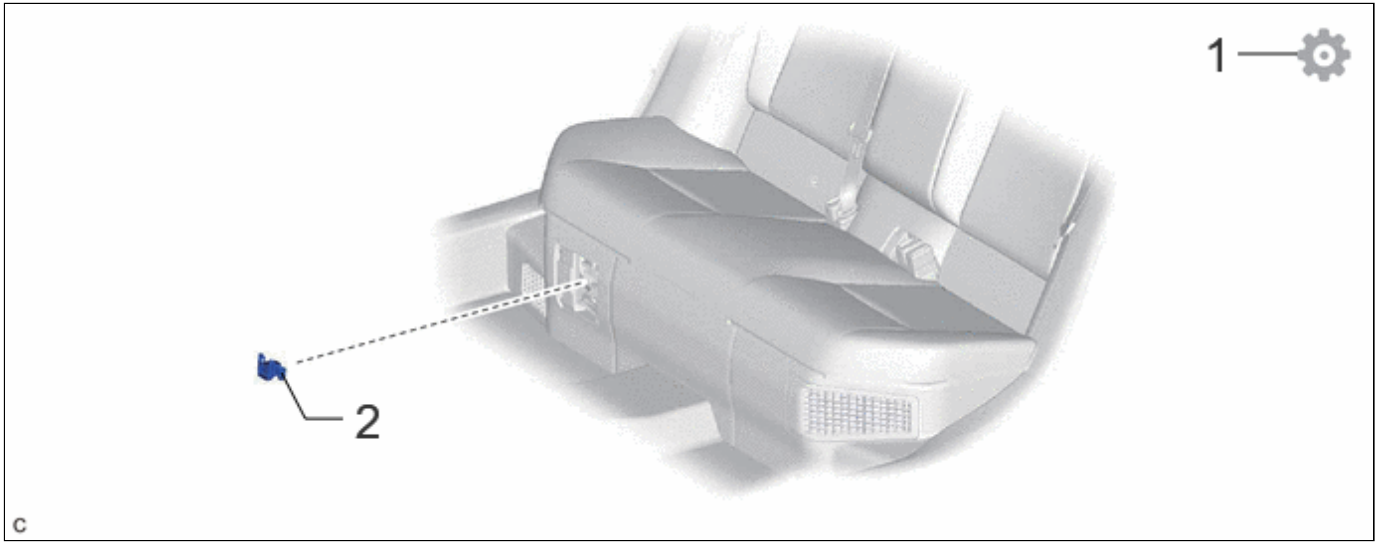
EFFECT/INOPERATIVE FUNCTION WHEN NECESSARY PROCEDURE NOT PERFORMED	NECESSARY PROCEDURE	LINK
Power Door Lock Control System*1 • Back door opener	Perform door unlock operation with door control switch or electrical key transmitter sub-assembly switch.	INFO
Power Back Door System*2	Reset back door close position	INFO
Air Conditioning System	After the ignition switch is turned to ON, the servo motor standard position is recognized.	-

*1: w/o Power Back Door System

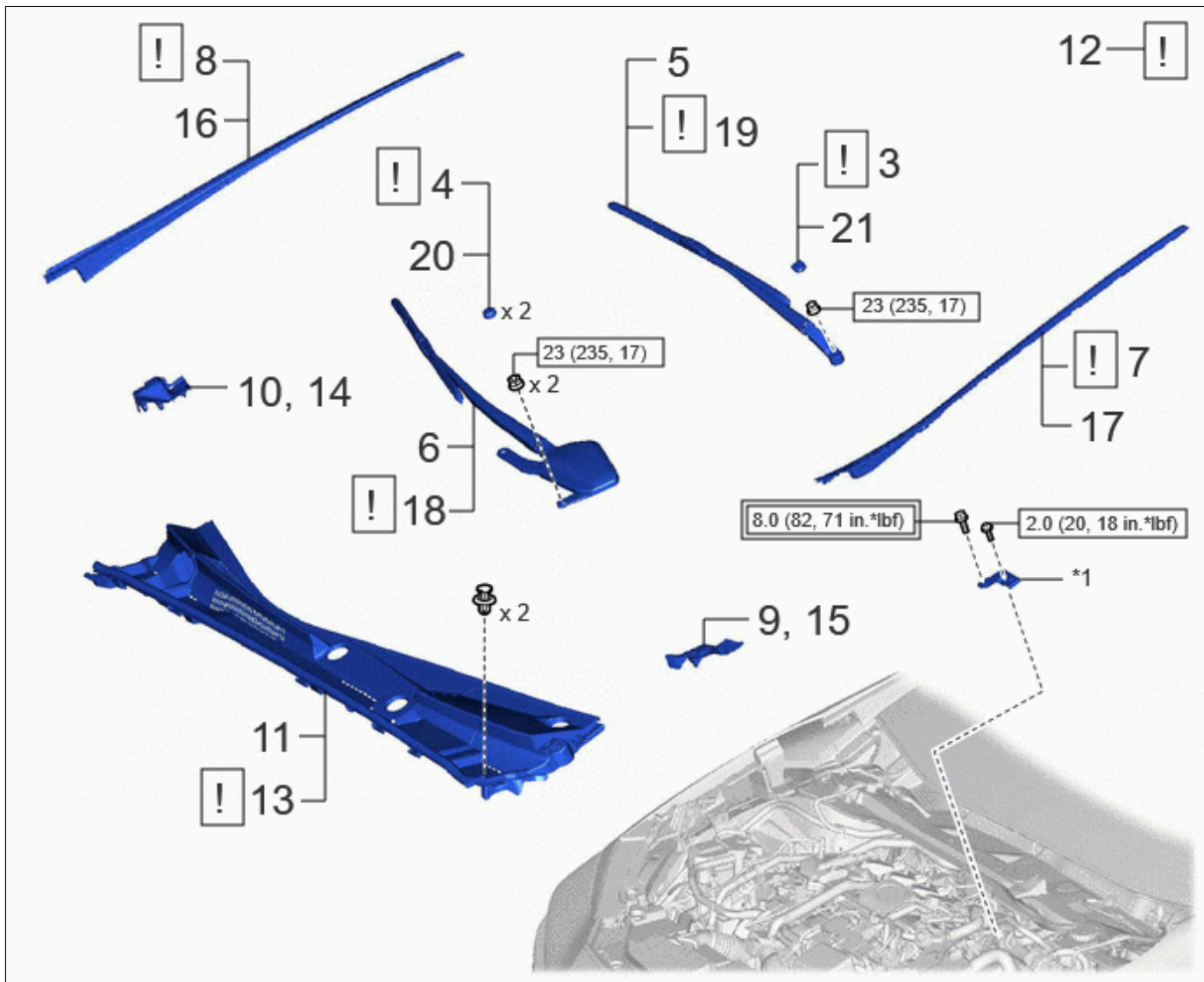
*2: w/ Power Back Door System




CAUTION / NOTICE / HINT






COMPONENTS (REMOVAL)





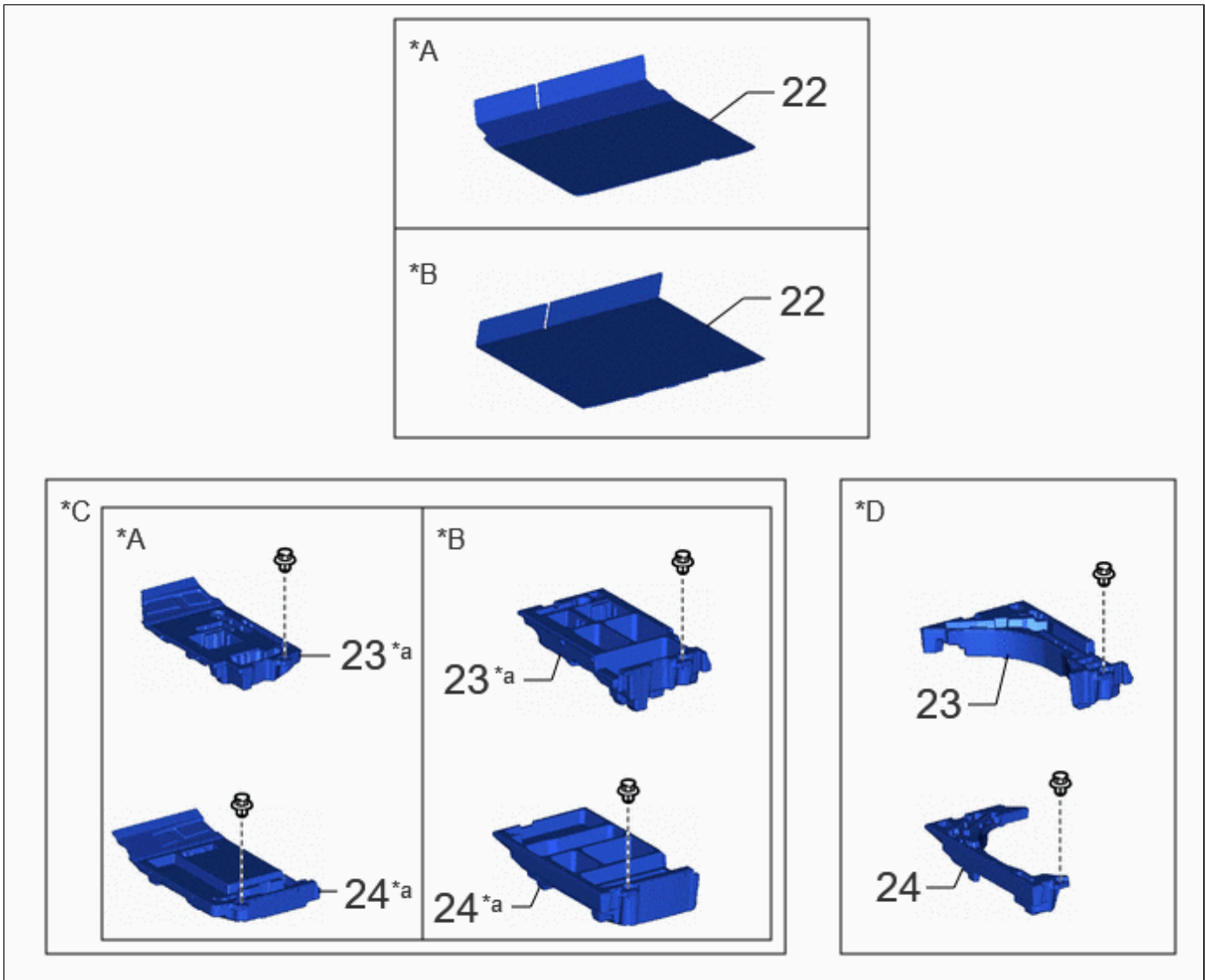
PROCEDURE		PART NAME CODE			
1	PERFORM RESOLVER INITIALIZATION	-	-	-	
2	SERVICE PLUG GRIP	G3834	-	-	-



PROCEDURE		PART NAME CODE			
3	REMOVE FRONT WIPER ARM HEAD CAP	85292B	INFO	-	-
4	REMOVE SHIELD CAP	85247	INFO	-	-
5	REMOVE FRONT WIPER ARM AND BLADE ASSEMBLY LH	-	-	-	-
6	REMOVE FRONT WIPER ARM AND BLADE ASSEMBLY RH	-	-	-	-
7	REMOVE WINDSHIELD LOWER OUTSIDE MOULDING LH	75536D	INFO	-	-
8	REMOVE WINDSHIELD LOWER OUTSIDE MOULDING RH	75535F	INFO	-	-
9	REMOVE COWL WATER EXTRACT SHIELD LH	55754F	-	-	-
10	REMOVE COWL WATER EXTRACT SHIELD RH	55753D	-	-	-
11	REMOVE COWL TOP VENTILATOR LOUVER SUB-ASSEMBLY	55708	-	-	-
12	CHECK TERMINAL VOLTAGE	-	INFO	-	-
13	INSTALL COWL TOP VENTILATOR LOUVER SUB-ASSEMBLY	55708	INFO	-	-

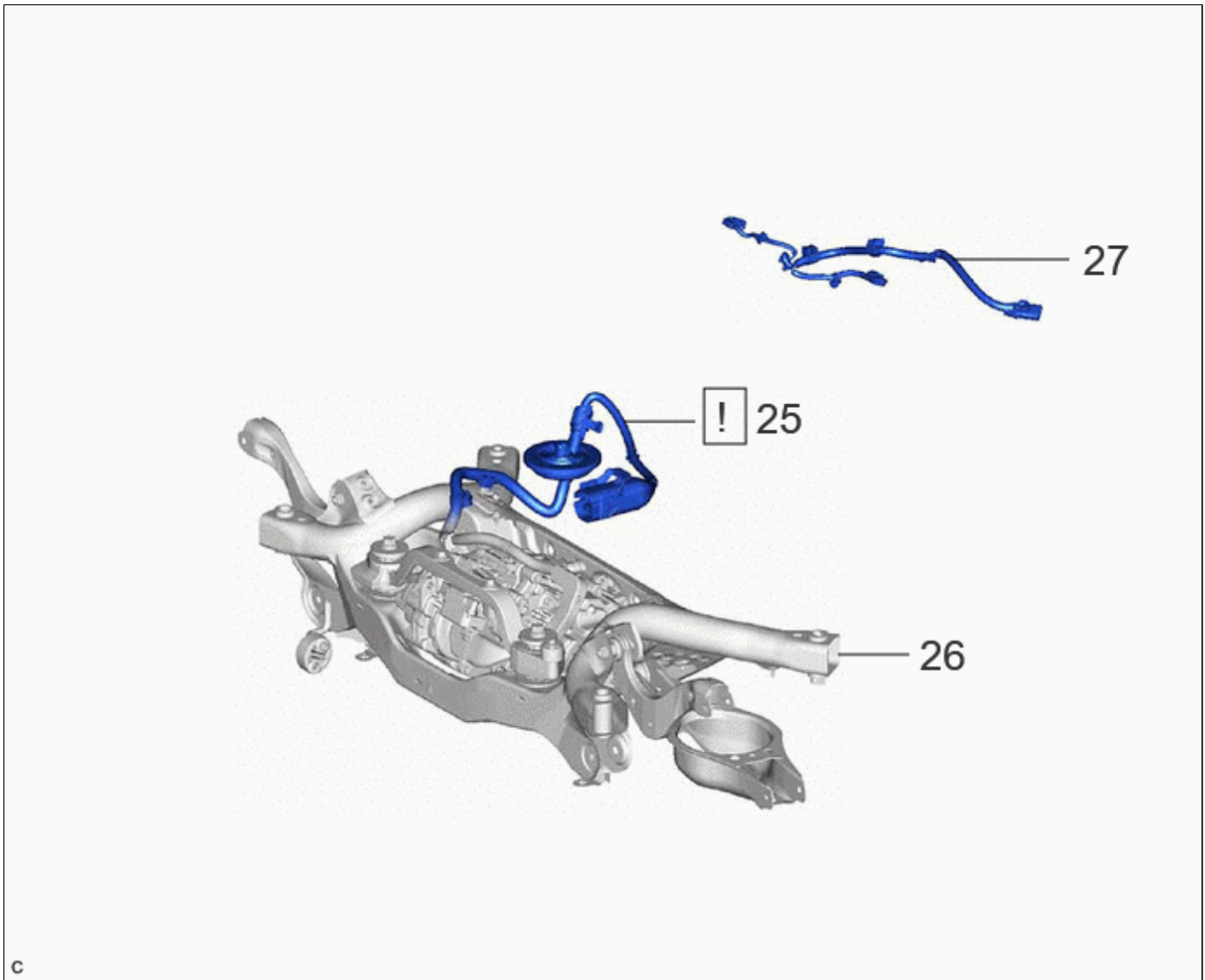
PROCEDURE		PART NAME CODE			
14	INSTALL COWL WATER EXTRACT SHIELD RH	55753D	-	-	-
15	INSTALL COWL WATER EXTRACT SHIELD LH	55754F	-	-	-
16	INSTALL WINDSHIELD LOWER OUTSIDE MOULDING RH	75535F	-	-	-
17	INSTALL WINDSHIELD LOWER OUTSIDE MOULDING LH	75536D	-	-	-
18	INSTALL FRONT WIPER ARM AND BLADE ASSEMBLY RH	-		-	-
19	INSTALL FRONT WIPER ARM AND BLADE ASSEMBLY LH	-		-	-
20	INSTALL SHIELD CAP	85247	-	-	-
21	INSTALL FRONT WIPER ARM HEAD CAP	85292B	-	-	-




*1	Connector Cover Assembly	-	-
	Tightening torque for "Major areas involving basic vehicle performance such as moving/turning/stopping": N*m (kgf*cm, ft.*lbf)		N*m (kgf*cm, ft.*lbf): Specified torque

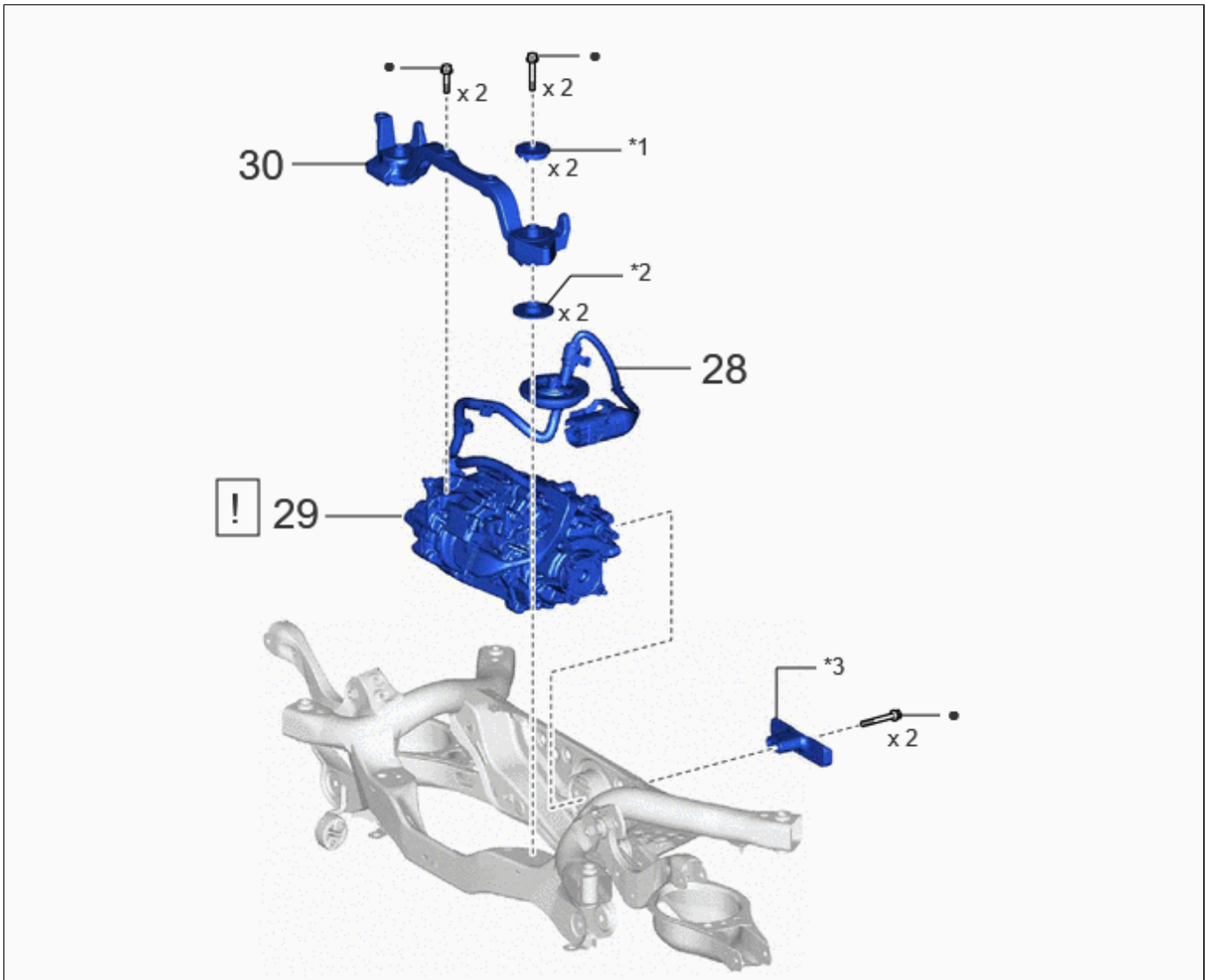


PROCEDURE		PART NAME CODE			
22	DECK BOARD ASSEMBLY	58410B	-	-	-
23	DECK FLOOR BOX RH	64995	-	-	-
24	DECK FLOOR BOX LH	64997	-	-	-

*A	for Type A	*B	for Type B
*C	w/o Spare Tire	*D	w/ Spare Tire
*a	HINT: As the illustration shown is an example, the actual details may differ.	-	-

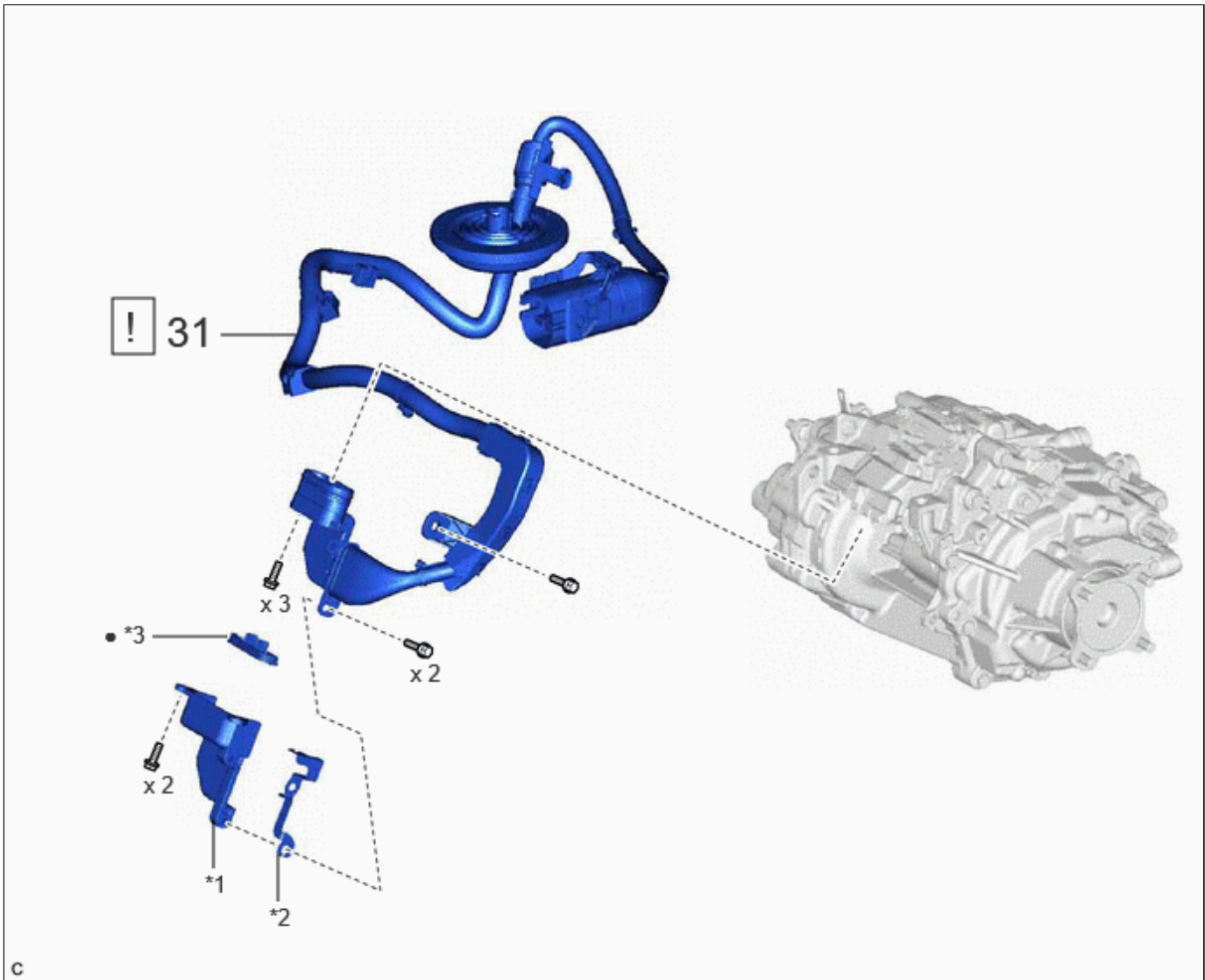


PROCEDURE		PART NAME CODE			
25	DISCONNECT REAR TRACTION MOTOR CABLE	G1149	INFO	-	-
26	REAR SUSPENSION MEMBER SUB-ASSEMBLY	51206A	-	-	-
27	NO. 6 FLOOR WIRE	82169A	-	-	-



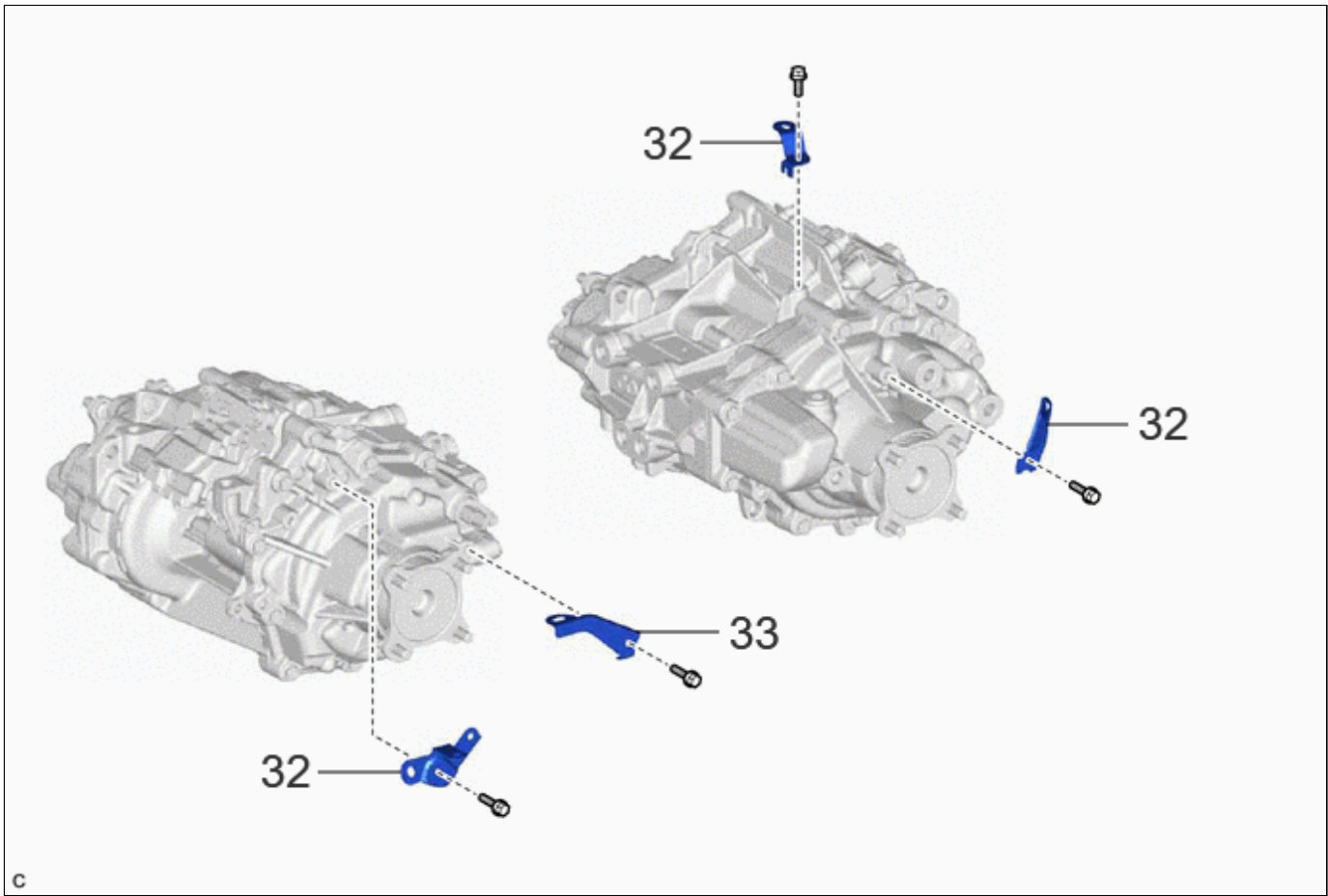
PROCEDURE		PART NAME CODE			
28	DISCONNECT REAR TRACTION MOTOR CABLE	G1149	-	-	-
29	REAR TRACTION MOTOR WITH TRANSAXLE ASSEMBLY	G1050	INFO	-	-
30	FRONT DIFFERENTIAL SUPPORT ASSEMBLY	52380F	-	-	-

*1	UPPER DIFFERENTIAL MOUNT STOPPER	*2	LOWER DIFFERENTIAL MOUNT STOPPER
*3	DIFFERENTIAL MASS DAMPER	-	-
•	Non-reusable part	-	-






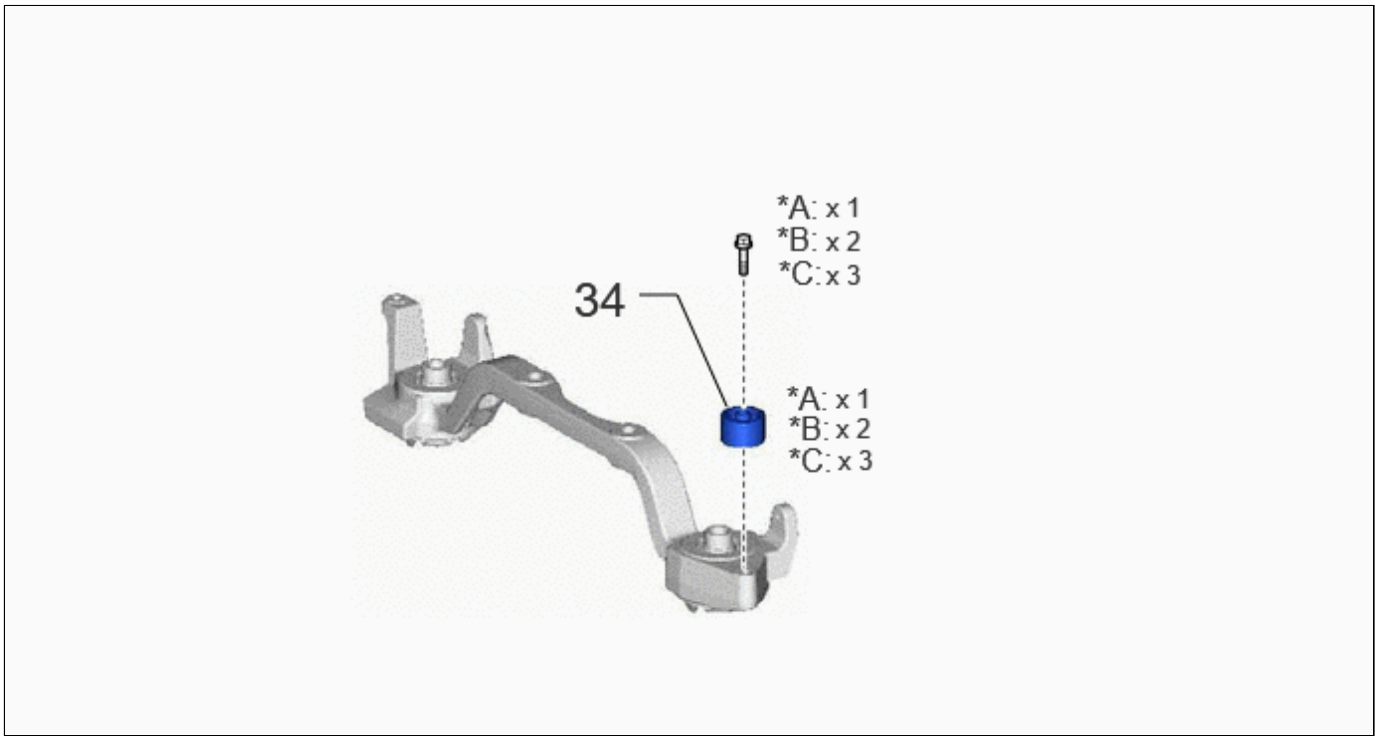
PROCEDURE		PART NAME CODE			
31	REMOVE REAR TRACTION MOTOR CABLE	G1149	INFO	-	-

*1	CONNECTOR COVER	*2	CONNECTOR COVER BRACKET
*3	MOTOR CABLE TERMINAL CAP	-	-
•	Non-reusable part	-	-



c

PROCEDURE		PART NAME CODE			
32	MOTOR CABLE BRACKET	-	-	-	-
33	WIRE HARNESS CLAMP BRACKET	-	-	-	-



PROCEDURE		PART NAME CODE			
34	DIFFERENTIAL DYNAMIC DAMPER	41196B	-	-	-

*A	for Type A	*B	for Type B
*C	for Type C	-	-

PROCEDURE

1. PERFORM RESOLVER INITIALIZATION

	<p>NOTICE:</p> <p>If it is necessary to replace the rear traction motor with transaxle assembly, make sure to perform resolver initialization before starting work.</p> <p>Click here INFO</p>
--	---

2. REMOVE SERVICE PLUG GRIP

Click here [INFO](#)

3. REMOVE FRONT WIPER ARM HEAD CAP

	Click here INFO
--	---------------------------------

4. REMOVE SHIELD CAP



Click here [INFO](#)

5. REMOVE FRONT WIPER ARM AND BLADE ASSEMBLY LH

Click here [INFO](#)

6. REMOVE FRONT WIPER ARM AND BLADE ASSEMBLY RH

Click here [INFO](#)

7. REMOVE WINDSHIELD LOWER OUTSIDE MOULDING LH



Click here [INFO](#)

8. REMOVE WINDSHIELD LOWER OUTSIDE MOULDING RH

(a) Use the same procedure as for the LH side.

9. REMOVE COWL WATER EXTRACT SHIELD LH

Click here [INFO](#)

10. REMOVE COWL WATER EXTRACT SHIELD RH

Click here [INFO](#)

11. REMOVE COWL TOP VENTILATOR LOUVER SUB-ASSEMBLY

Click here [INFO](#)

12. CHECK TERMINAL VOLTAGE



Click here [INFO](#)

13. INSTALL COWL TOP VENTILATOR LOUVER SUB-ASSEMBLY



Click here [INFO](#)

14. INSTALL COWL WATER EXTRACT SHIELD RH

15. INSTALL COWL WATER EXTRACT SHIELD LH

16. INSTALL WINDSHIELD LOWER OUTSIDE MOULDING RH

17. INSTALL WINDSHIELD LOWER OUTSIDE MOULDING LH

18. INSTALL FRONT WIPER ARM AND BLADE ASSEMBLY RH



Click here [INFO](#)

19. INSTALL FRONT WIPER ARM AND BLADE ASSEMBLY LH



Click here [INFO](#)

20. INSTALL SHIELD CAP

21. INSTALL FRONT WIPER ARM HEAD CAP

22. REMOVE DECK BOARD ASSEMBLY

Click here [INFO](#)

23. REMOVE DECK FLOOR BOX RH

Click here [INFO](#)

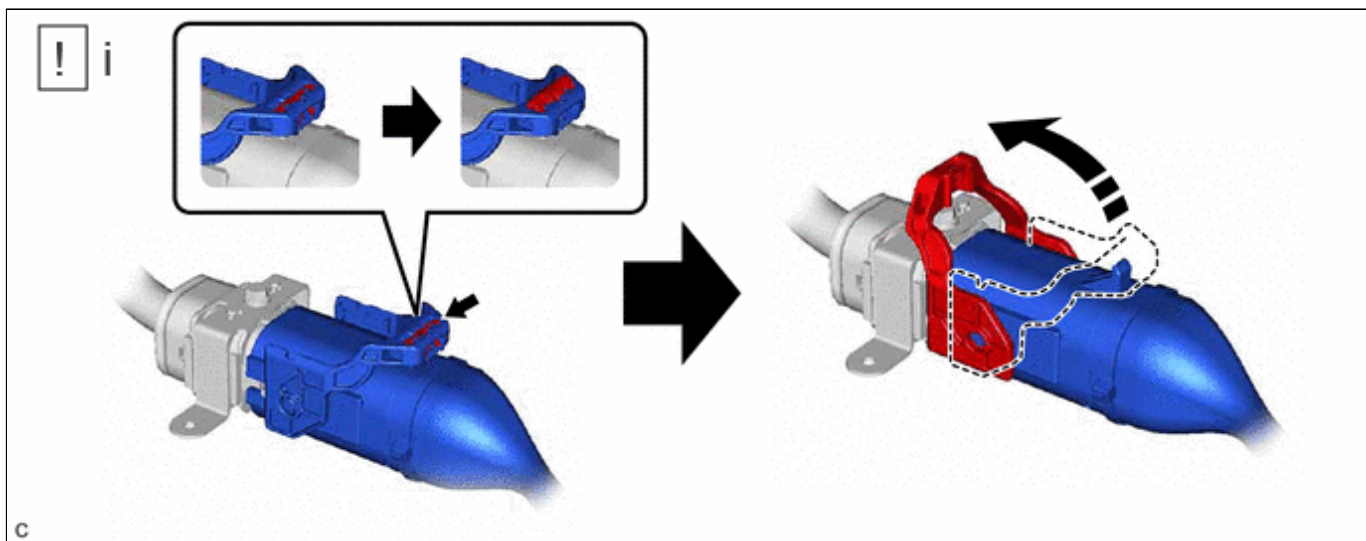
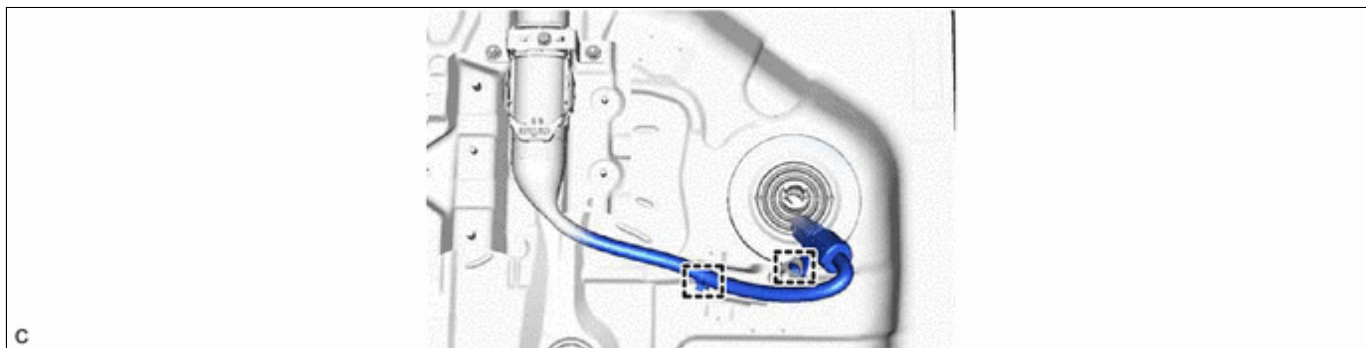
24. REMOVE DECK FLOOR BOX LH

Click here [INFO](#)

25. DISCONNECT REAR TRACTION MOTOR CABLE



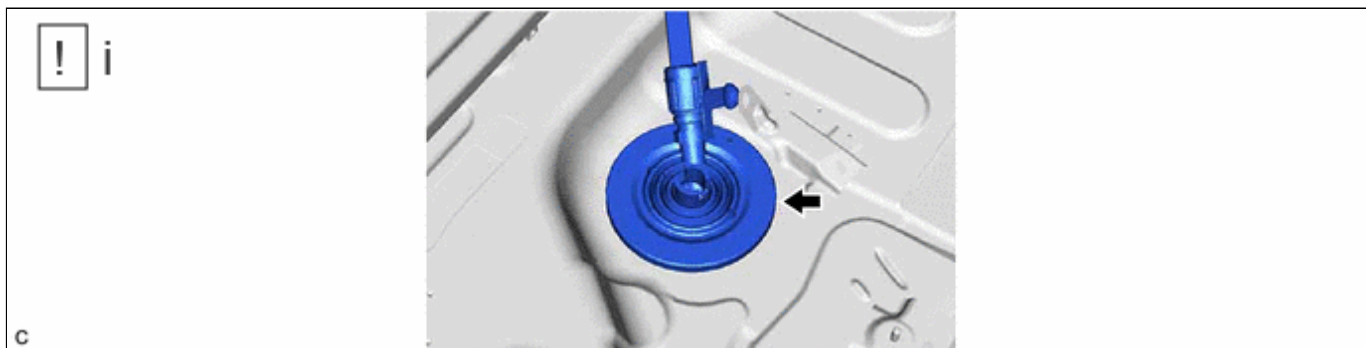
CAUTION:
Be sure to wear insulated gloves.



(1) Disconnect the rear traction motor cable connector.

HINT:

Release the lock before rotating the lock lever.

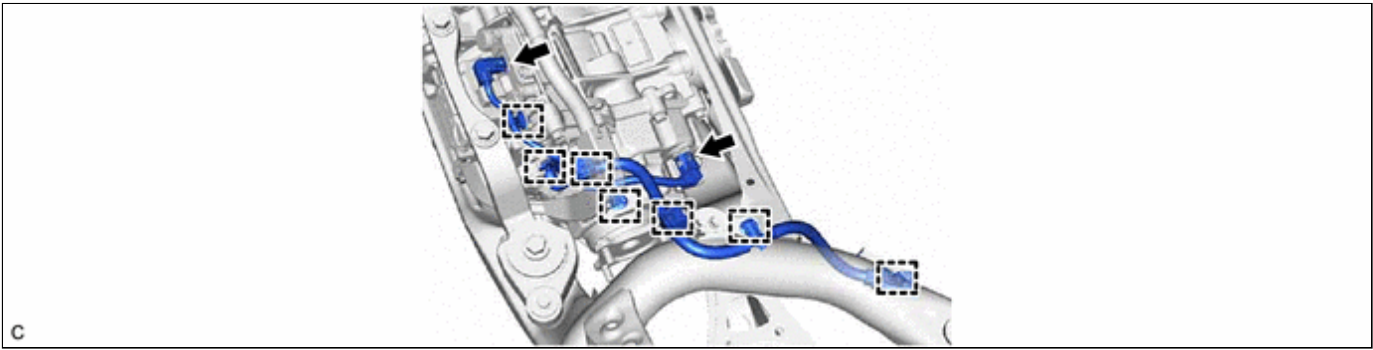


(1) Separate the grommet of the rear traction motor cable from the vehicle body and push out the rear traction motor cable from the cabin.

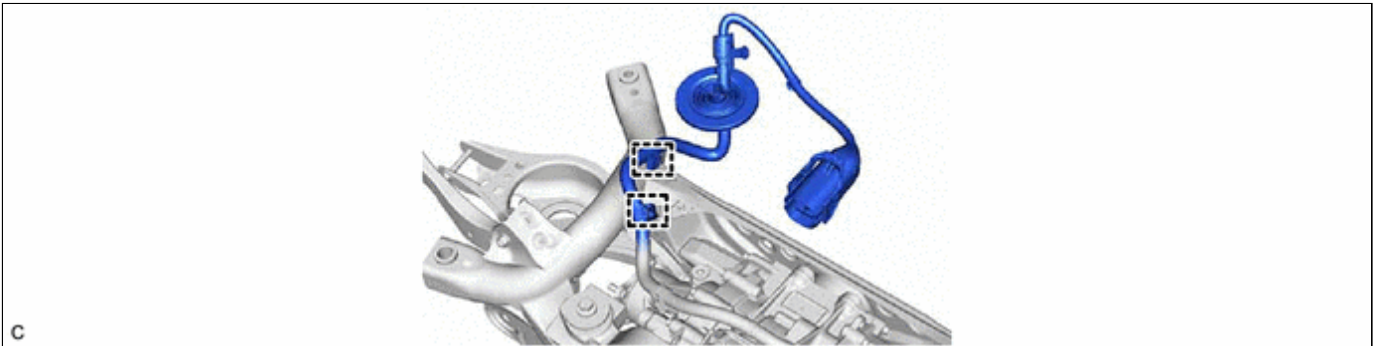
26. REMOVE REAR SUSPENSION MEMBER SUB-ASSEMBLY

Click here [INFO](#)

27. REMOVE NO. 6 FLOOR WIRE



28. DISCONNECT REAR TRACTION MOTOR CABLE



29. REMOVE REAR TRACTION MOTOR WITH TRANSAXLE ASSEMBLY

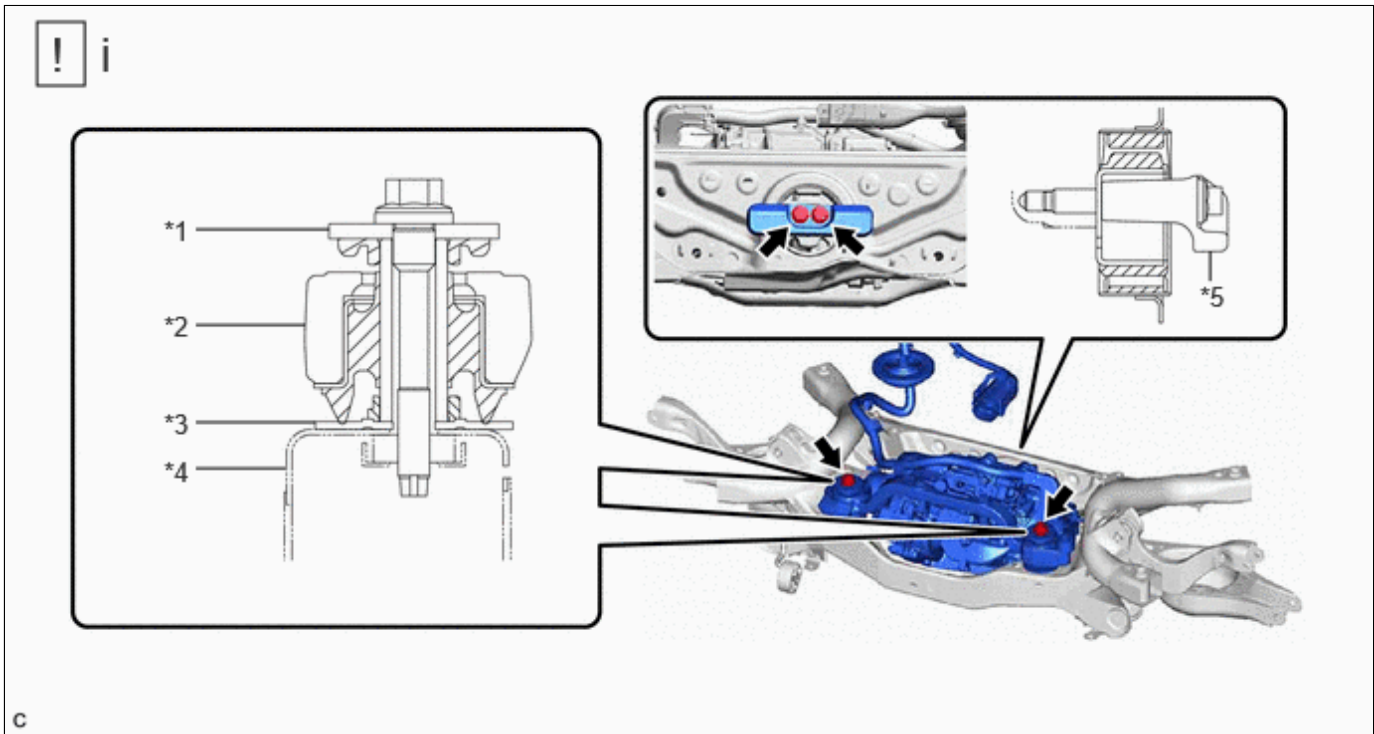
(a) Using a mini crane and 2 belt slings, hold the rear traction motor with transaxle assembly.

CAUTION:

- Do not lift the rear traction motor with transaxle assembly more than necessary.
- When lifting the rear traction motor with transaxle assembly, make sure it is well balanced.

NOTICE:

- Lightly shake the rear traction motor with transaxle assembly by hand to make sure it is securely held while performing work.
- Do not shake the rear traction motor with transaxle assembly excessively while holding it.



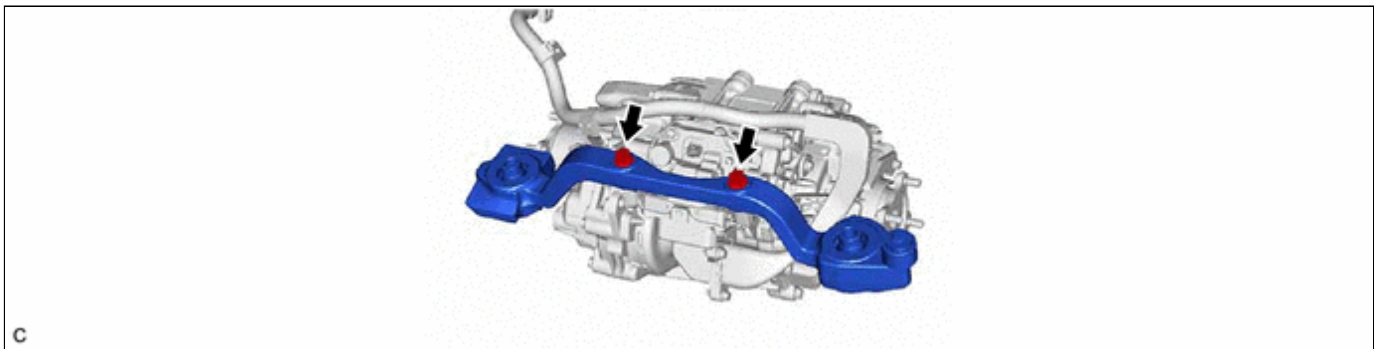
*1	Upper Differential Mount Stopper	*2	Front Differential Support Assembly
*3	Lower Differential Mount Stopper	*4	Rear Suspension Member Sub-assembly
*5	Differential Mass Damper	-	-

(1) Remove the 4 bolts, 2 upper differential mount stoppers, 2 lower differential mount stoppers, differential mass damper and rear traction motor with transaxle assembly from the rear suspension member sub-assembly.

NOTICE:

- Be careful not to drop the rear traction motor with transaxle assembly.
- Be careful not to damage the installation surfaces of the rear traction motor with transaxle assembly when removing it.

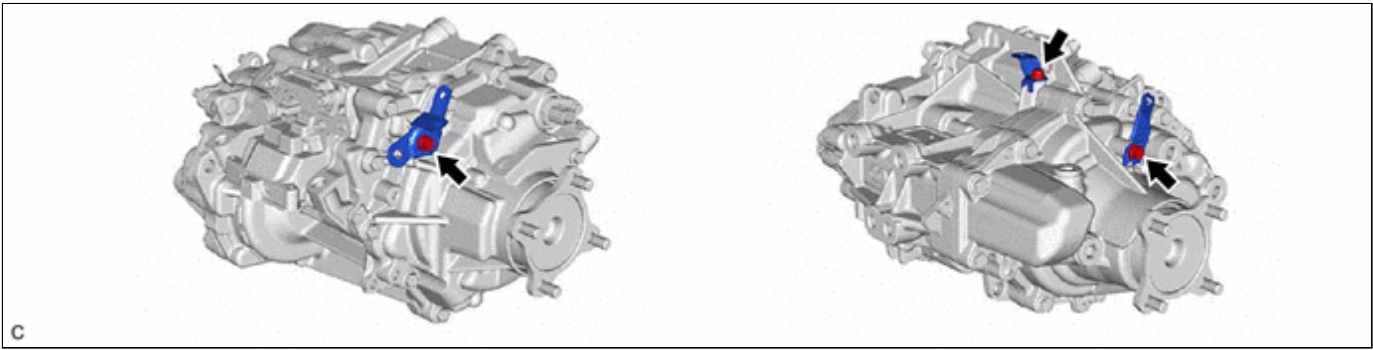
30. REMOVE FRONT DIFFERENTIAL SUPPORT ASSEMBLY



31. REMOVE REAR TRACTION MOTOR CABLE

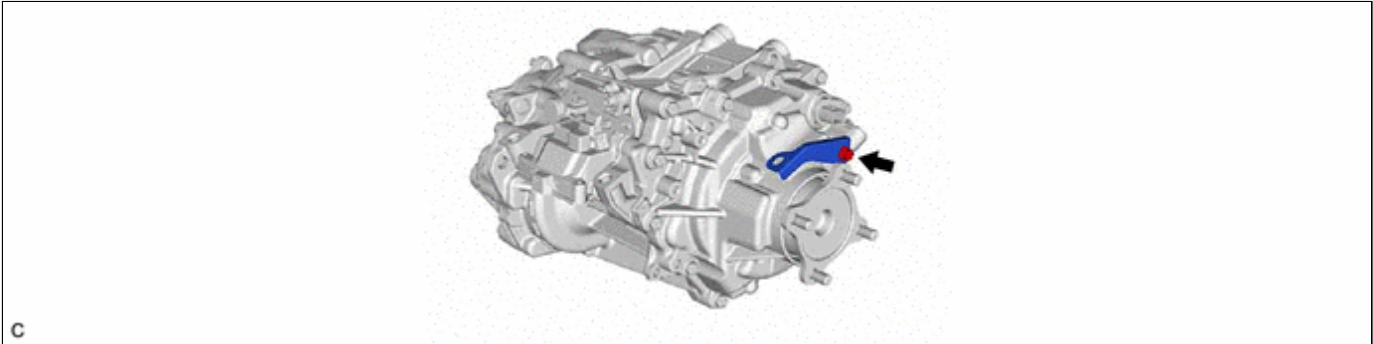
Click here [INFO](#)

32. REMOVE MOTOR CABLE BRACKET



C

33. REMOVE WIRE HARNESS CLAMP BRACKET

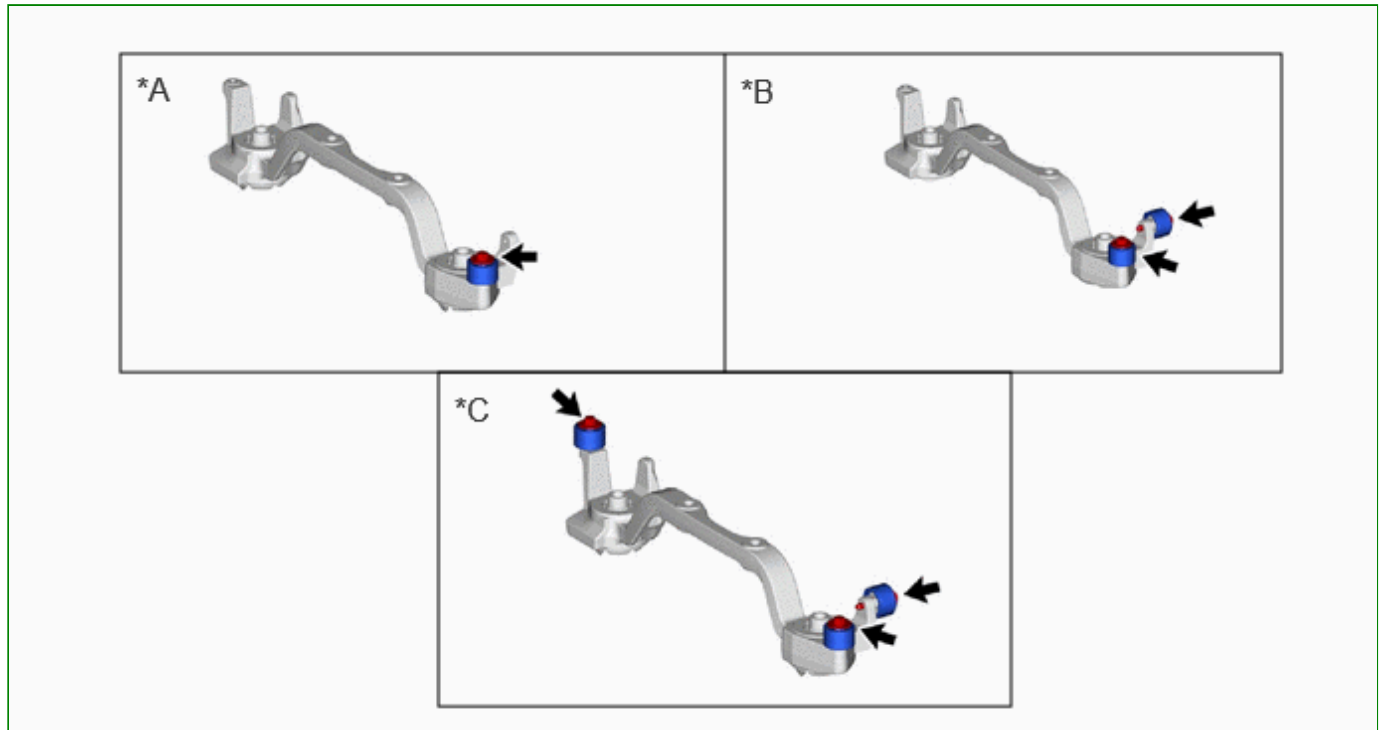


C

34. REMOVE DIFFERENTIAL DYNAMIC DAMPER

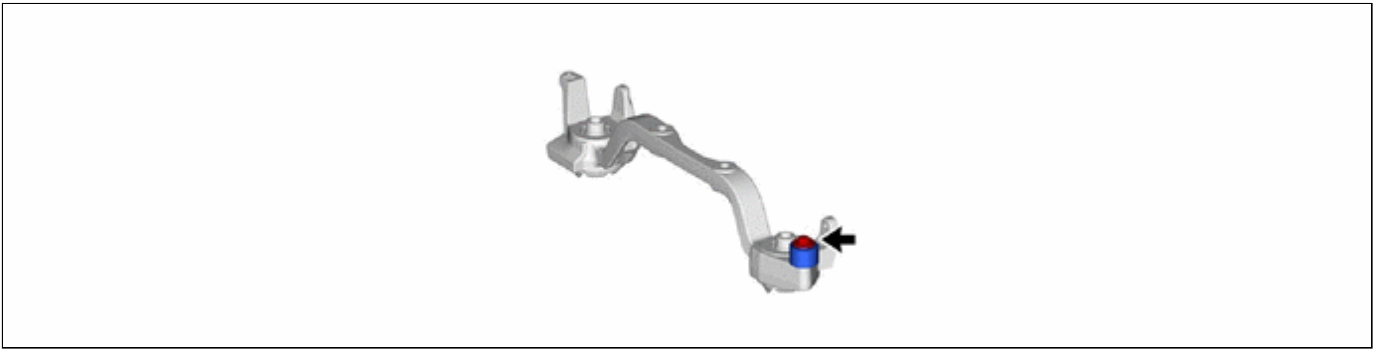
HINT:

- Perform this procedure only when replacement of the differential dynamic damper is necessary.
- The illustration shown is an example only. The illustration may differ from the actual parts according to the model.

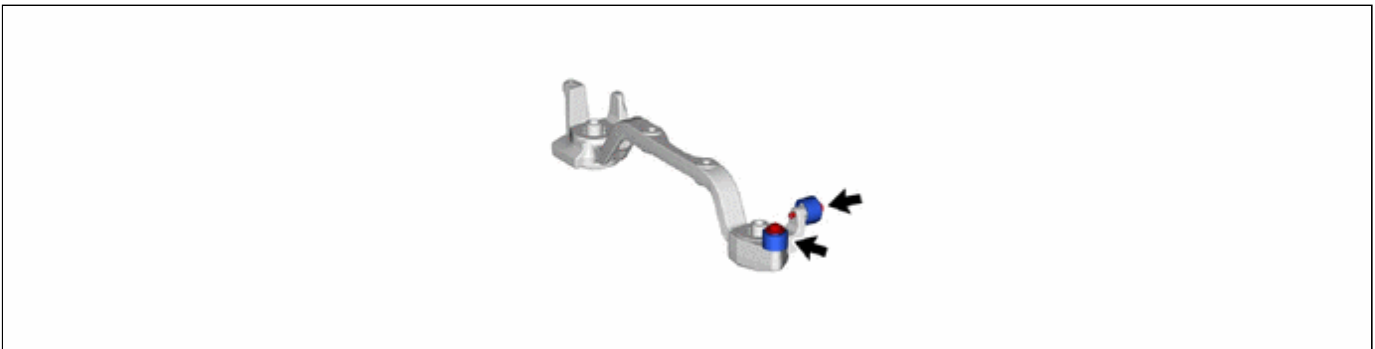


*A	for Type A	*B	for Type B
*C	for Type C	-	-

for Type A:



for Type B:



for Type C:

