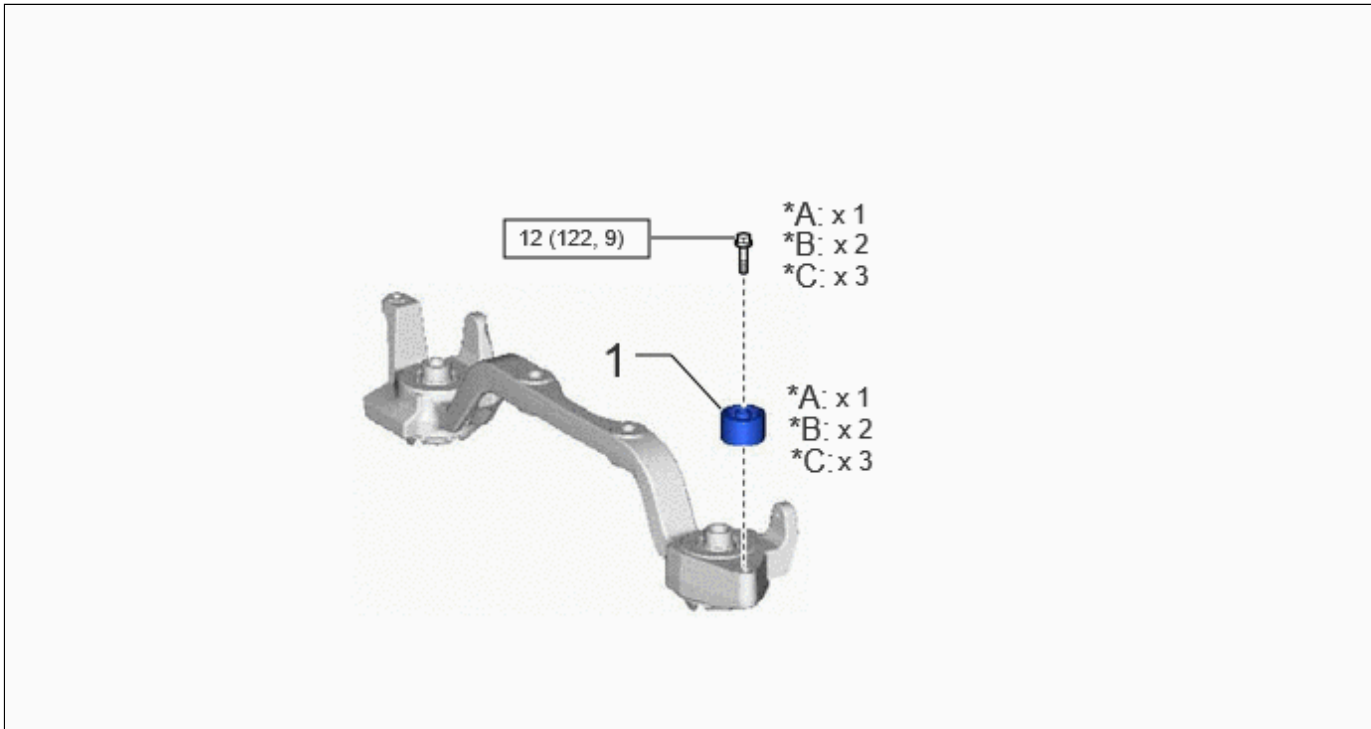


<b>Last Modified:</b> 12-04-2024	6.11:8.1.0	<b>Doc ID:</b> RM1000000029YM1
<b>Model Year Start:</b> 2023	<b>Model:</b> Prius Prime	<b>Prod Date Range:</b> [12/2022 - ]
<b>Title:</b> Q810 (HYBRID TRANSMISSION / TRANSAXLE): REAR TRACTION MOTOR: INSTALLATION; 2023 - 2024 MY Prius Prius Prime [12/2022 - ]		

## INSTALLATION

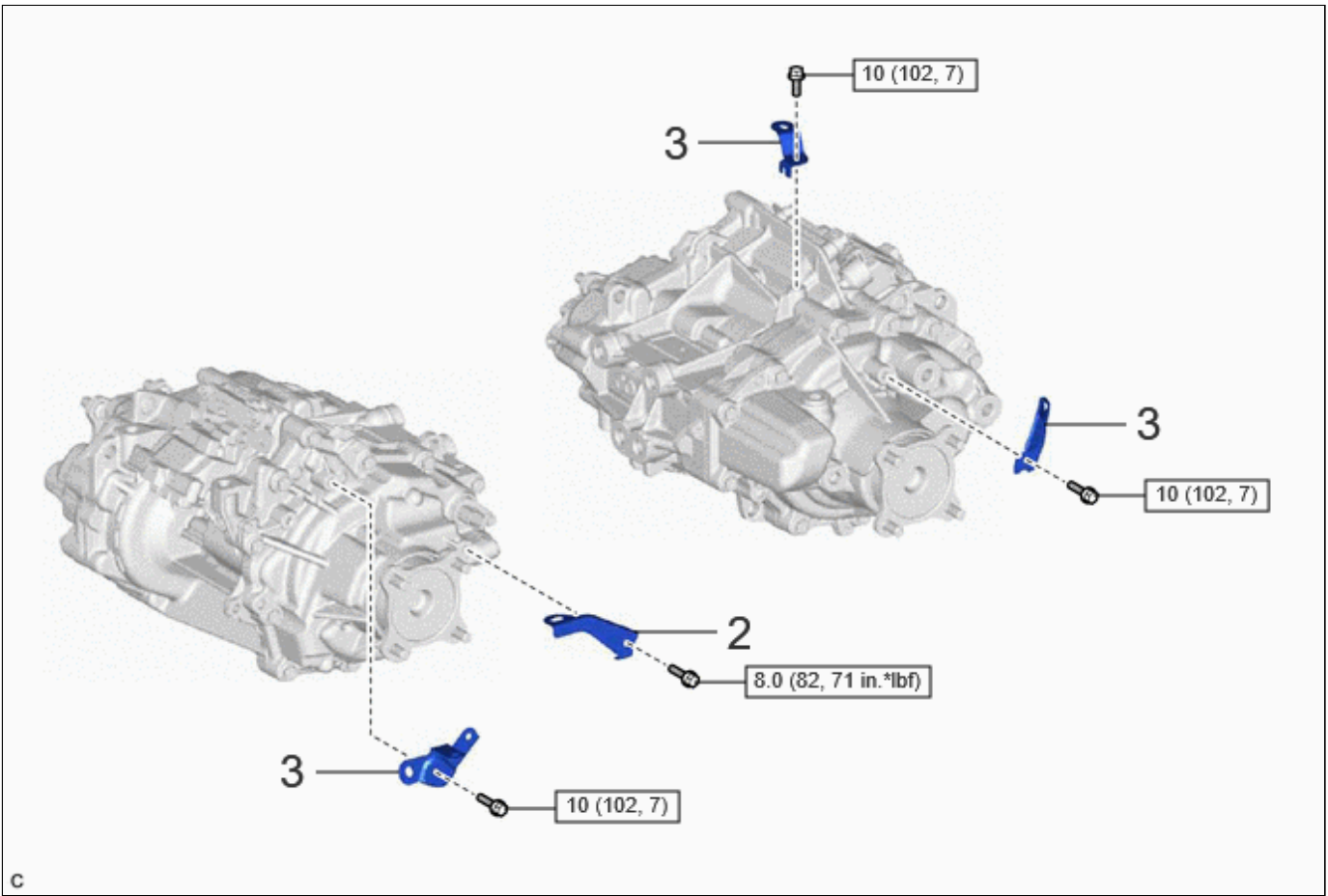
### CAUTION / NOTICE / HINT

#### COMPONENTS (INSTALLATION)






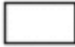
PROCEDURE		PART NAME CODE			
1	DIFFERENTIAL DYNAMIC DAMPER	41196B	-	-	-

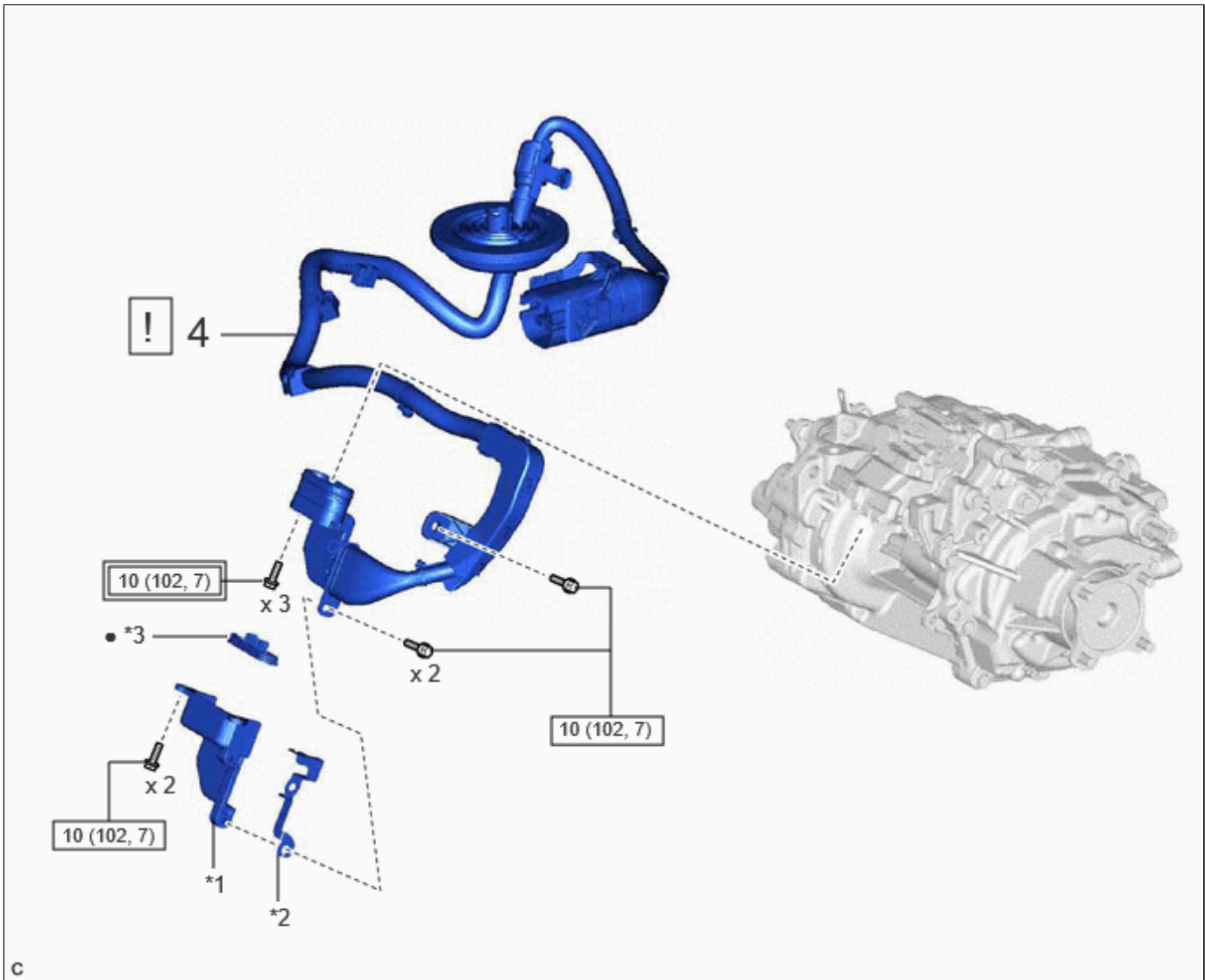
*A	for Type A	*B	for Type B
*C	for Type C	-	-
	N*m (kgf*cm, ft.*lbf): Specified torque	-	-



c

PROCEDURE		PART NAME CODE			
2	WIRE HARNESS CLAMP BRACKET	-	-	-	-
3	MOTOR CABLE BRACKET	-	-	-	-

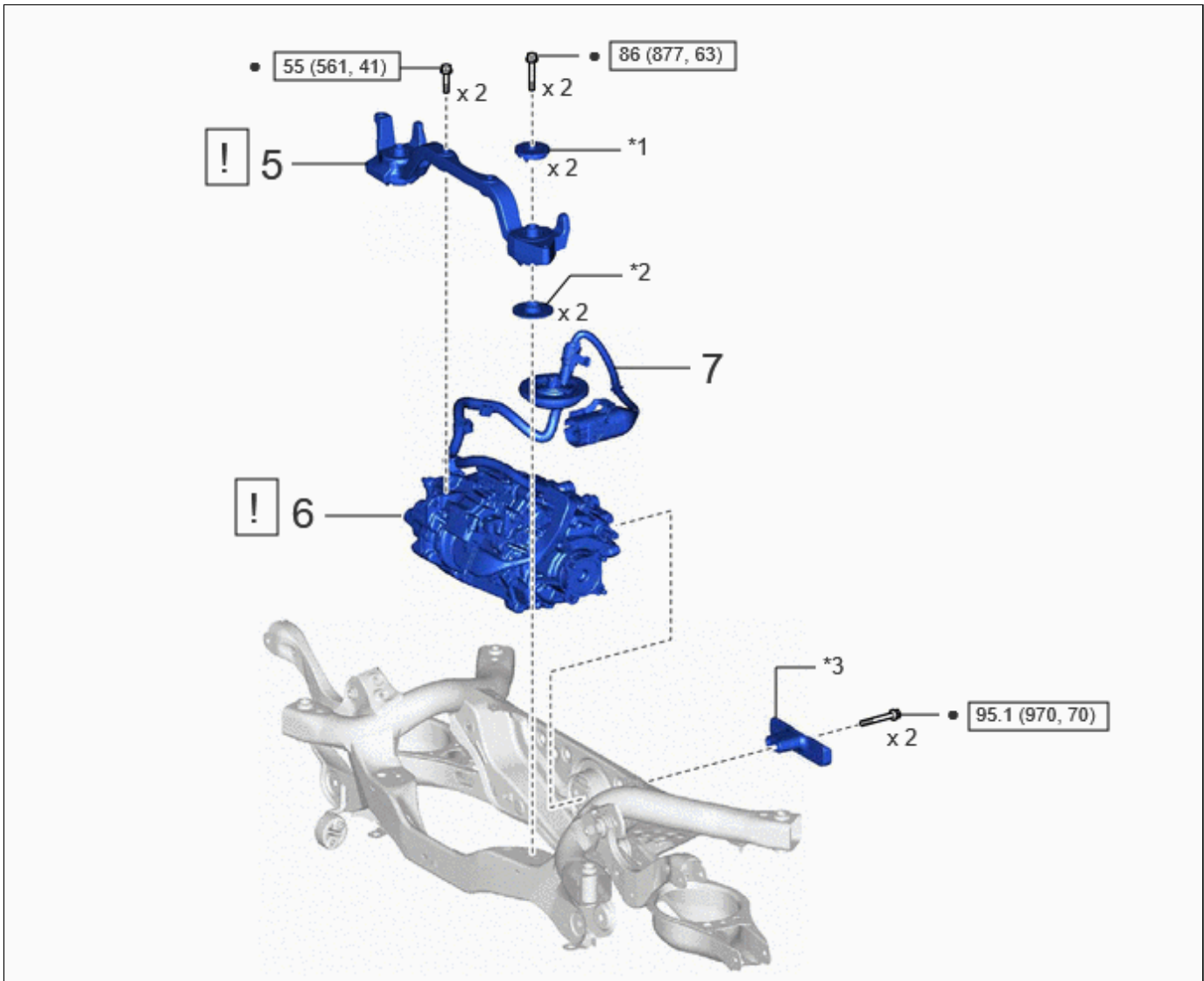
	N*m (kgf*cm, ft.*lbf): Specified torque	-	-
---	---	---	---



c

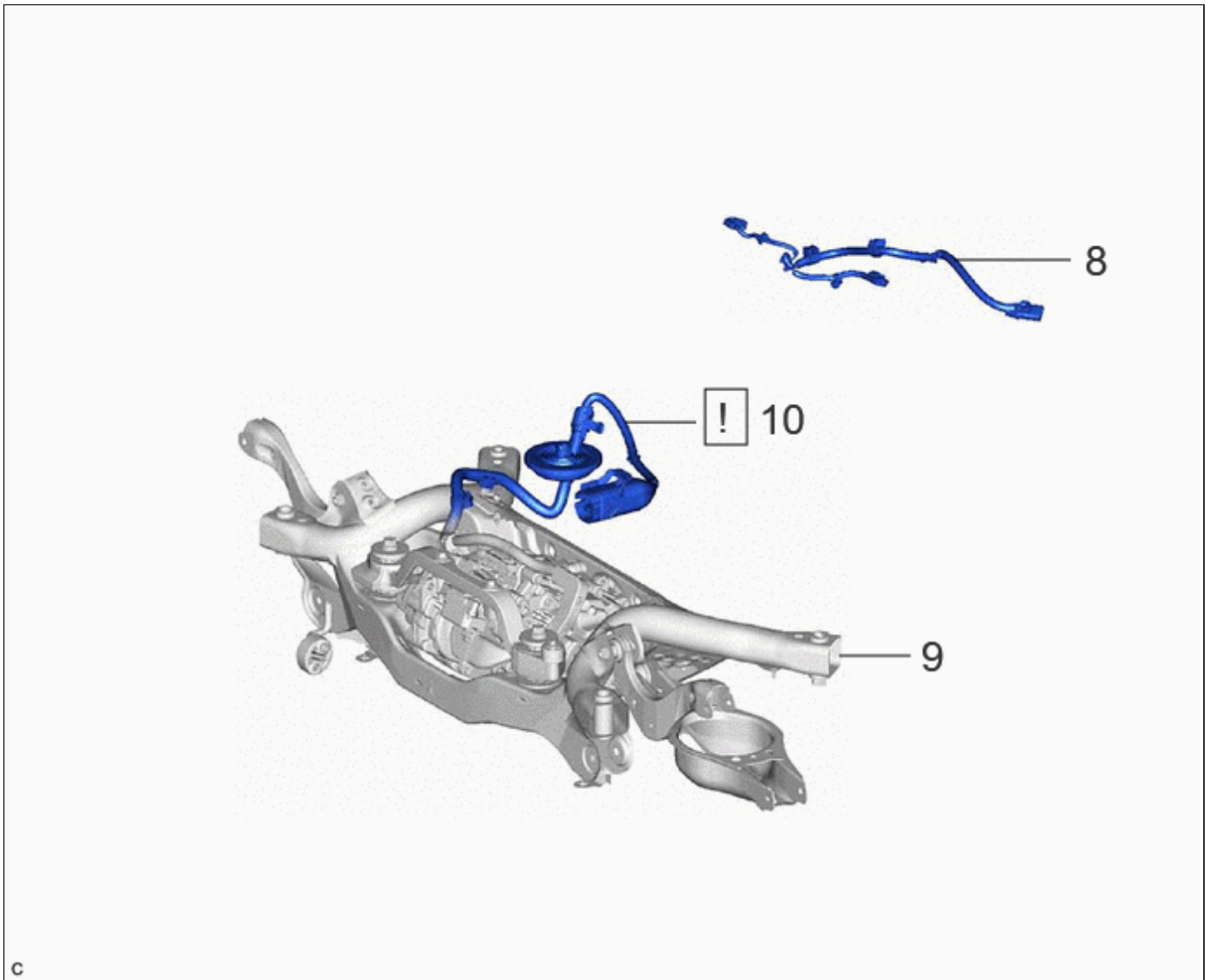
PROCEDURE		PART NAME CODE			
4	INSTALL REAR TRACTION MOTOR CABLE	G1149	<b>INFO</b>	-	-

*1	CONNECTOR COVER	*2	CONNECTOR COVER BRACKET
*3	MOTOR CABLE TERMINAL CAP	-	-
	Tightening torque for "Major areas involving basic vehicle performance such as moving/turning/stopping": N*m (kgf*cm, ft.*lbf)		N*m (kgf*cm, ft.*lbf): Specified torque
•	Non-reusable part	-	-






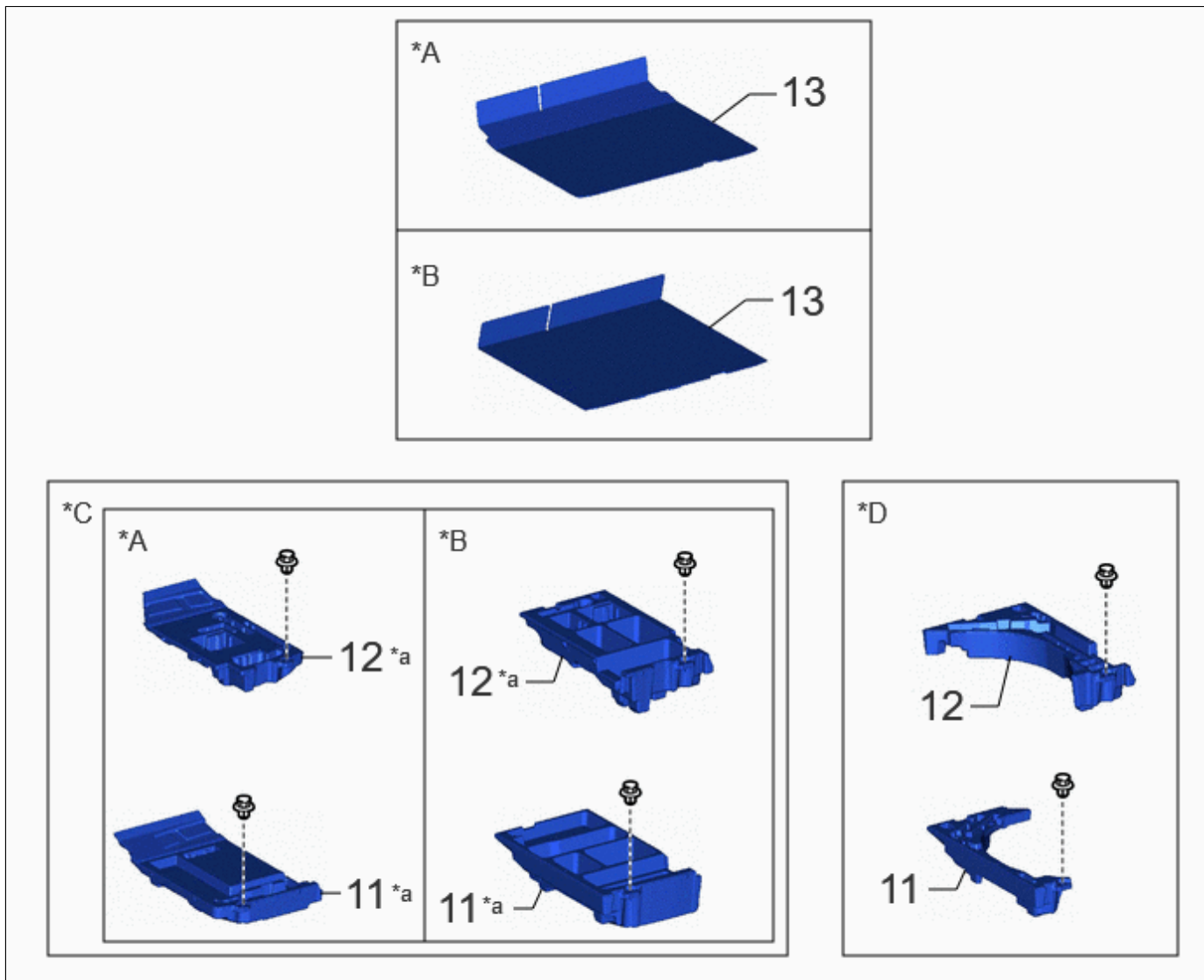
PROCEDURE		PART NAME CODE			
5	FRONT DIFFERENTIAL SUPPORT ASSEMBLY	52380F	<a href="#">INFO</a>	-	-
6	REAR TRACTION MOTOR WITH TRANSAXLE ASSEMBLY	G1050	<a href="#">INFO</a>	-	-
7	CONNECT REAR TRACTION MOTOR CABLE	G1149	-	-	-

*1	UPPER DIFFERENTIAL MOUNT STOPPER	*2	LOWER DIFFERENTIAL MOUNT STOPPER
*3	DIFFERENTIAL MASS DAMPER	-	-
	N*m (kgf*cm, ft.*lbf): Specified torque	•	Non-reusable part



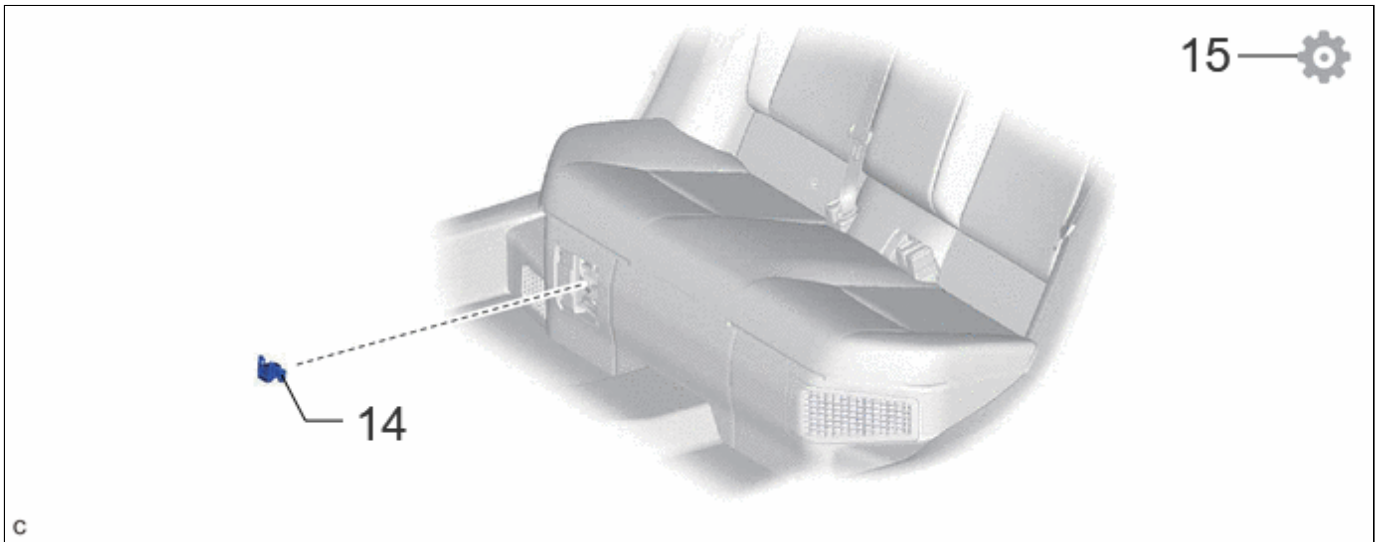
c

PROCEDURE		PART NAME CODE			
8	NO. 6 FLOOR WIRE	82169A	-	-	-
9	REAR SUSPENSION MEMBER SUB-ASSEMBLY	51206A	-	-	-
10	CONNECT REAR TRACTION MOTOR CABLE	G1149	<a href="#">INFO</a>	-	-



PROCEDURE		PART NAME CODE			
11	DECK FLOOR BOX LH	64997	-	-	-
12	DECK FLOOR BOX RH	64995	-	-	-
13	DECK BOARD ASSEMBLY	58410B	-	-	-

*A	for Type A	*B	for Type B
*C	w/o Spare Tire	*D	w/ Spare Tire
*a	<b>HINT:</b> As the illustration shown is an example, the actual details may differ.		-



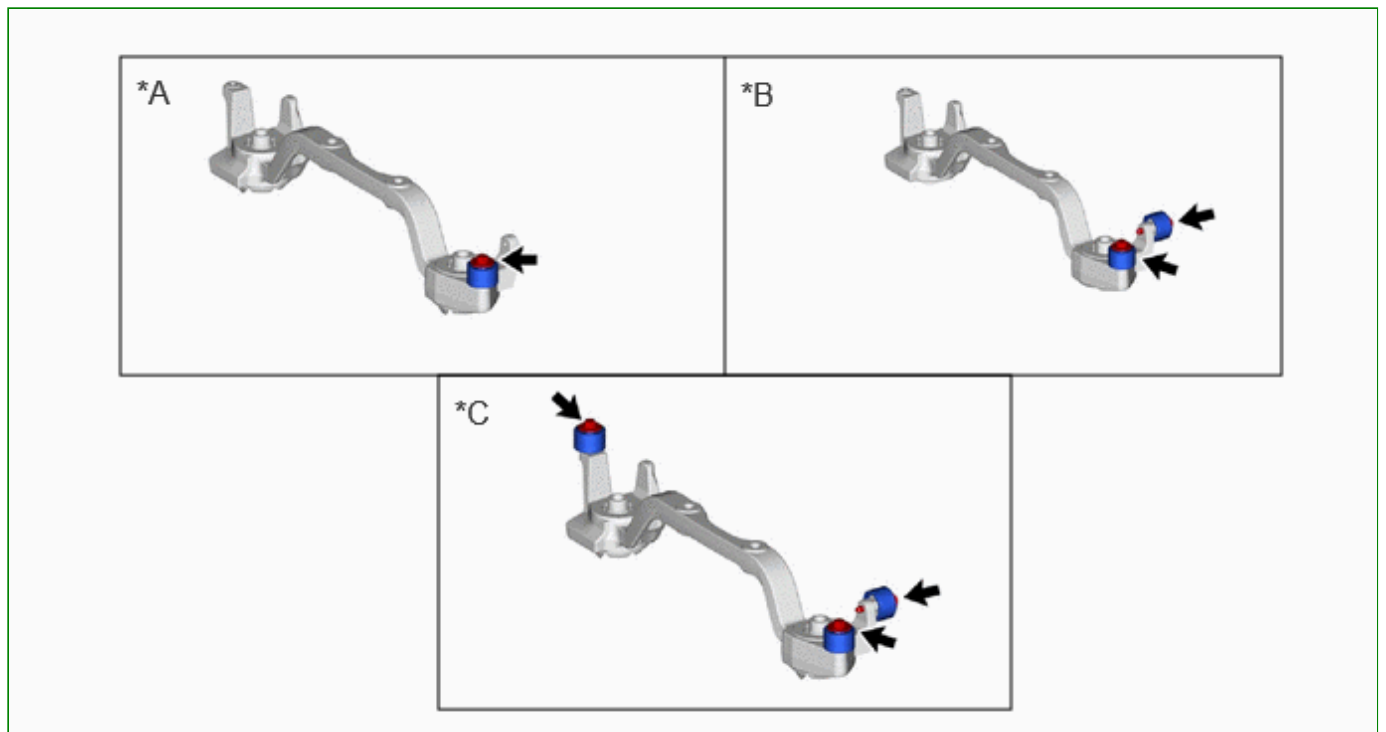
PROCEDURE		PART NAME CODE			
14	SERVICE PLUG GRIP	G3834	-	-	-
15	PERFORM RESOLVER LEARNING	-	-	-	<a href="#">INFO</a>

## PROCEDURE

### 1. INSTALL DIFFERENTIAL DYNAMIC DAMPER

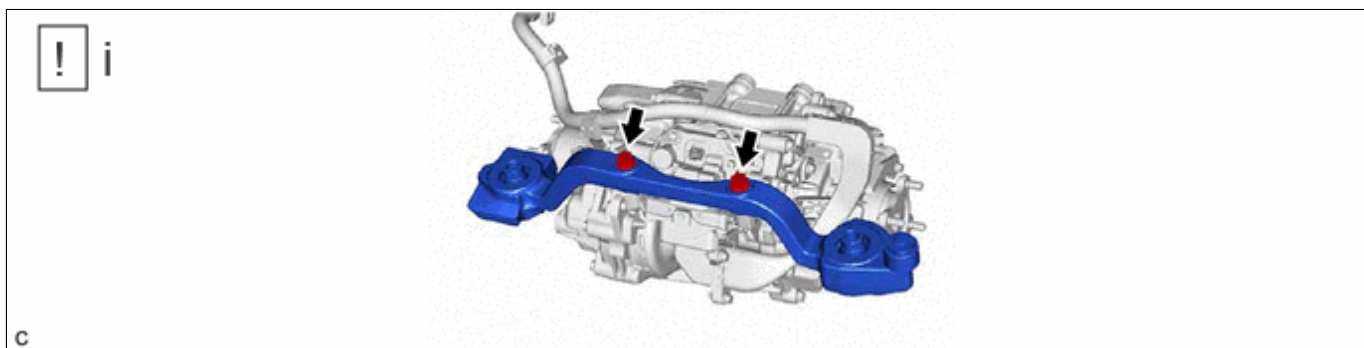
**HINT:**

- Perform this procedure only when replacement of the differential dynamic damper is necessary.
- The illustration shown is an example only. The illustration may differ from the actual parts according to the model.



*A	for Type A	*B	for Type B
----	------------	----	------------

*C	for Type C	-	-
----	------------	---	---

**Torque:****12 N·m {122 kgf·cm, 9 ft·lbf}****2. INSTALL WIRE HARNESS CLAMP BRACKET****Torque:****8.0 N·m {82 kgf·cm, 71 in·lbf}****3. INSTALL MOTOR CABLE BRACKET****Torque:****10 N·m {102 kgf·cm, 7 ft·lbf}****4. INSTALL REAR TRACTION MOTOR CABLE**Click here [INFO](#)**5. TEMPORARILY INSTALL FRONT DIFFERENTIAL SUPPORT ASSEMBLY**

- (1) Temporarily install the front differential support assembly to the rear traction motor with transaxle assembly with 2 new bolts.

**6. INSTALL REAR TRACTION MOTOR WITH TRANSAXLE ASSEMBLY**

- (a) Using a mini crane and 2 belt slings, hold the rear traction motor with transaxle assembly.

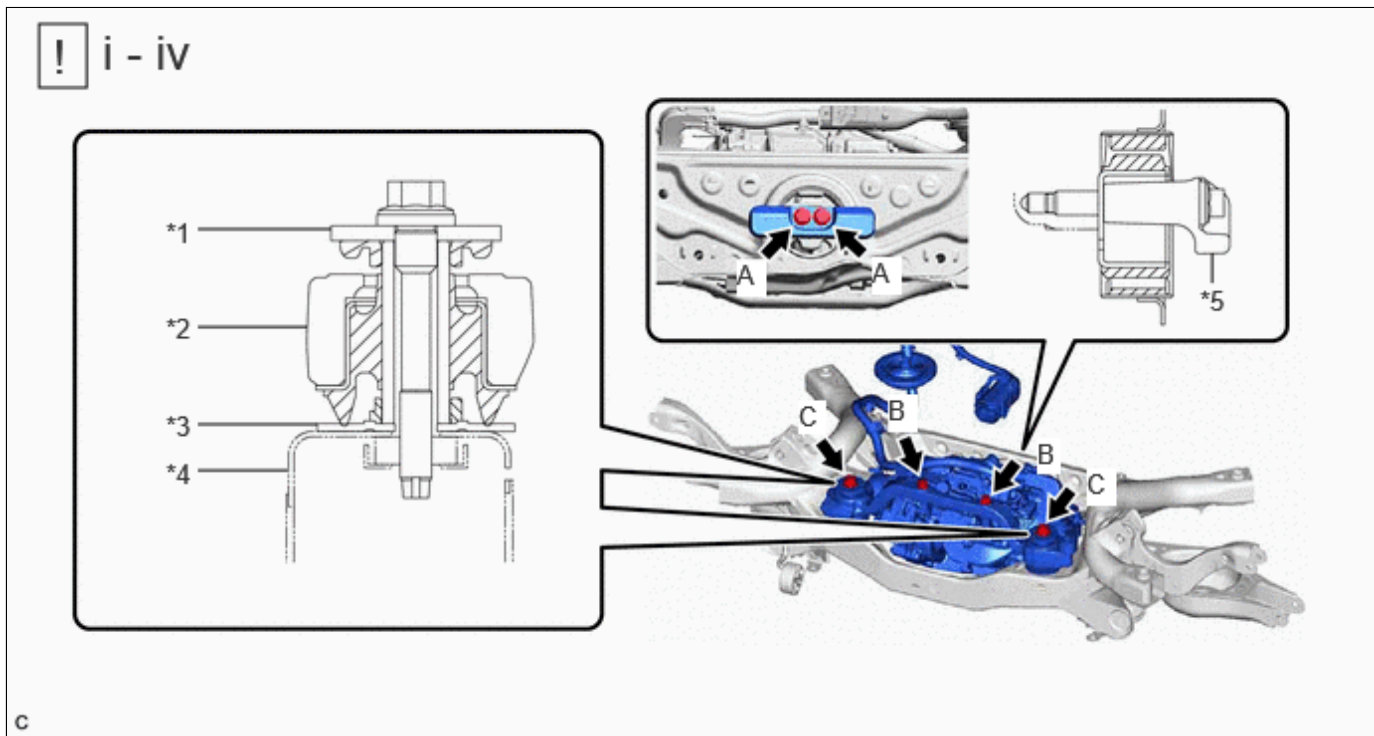
**CAUTION:**

- Do not lift the rear traction motor with transaxle assembly more than necessary.
- When lifting the rear traction motor with transaxle assembly, make sure it is well balanced.

**NOTICE:**

- Lightly shake the rear traction motor with transaxle assembly by hand to make sure it is securely held while performing work.
- Do not shake the rear traction motor with transaxle assembly excessively while holding it.





*1	Upper Differential Mount Stopper	*2	Front Differential Support Assembly
*3	Lower Differential Mount Stopper	*4	Rear Suspension Member Sub-assembly
*5	Differential Mass Damper	-	-

(1) Temporarily install the 2 upper differential mount stoppers, 2 lower differential mount stoppers, differential mass damper and rear traction motor with transaxle assembly to the rear suspension member sub-assembly with 4 new bolts.

(2) Fully tighten the 2 bolts (A).

**Torque:**

**95.1 N·m {970 kgf·cm, 70 ft·lbf}**

(3) Fully tighten the 2 bolts (B).

**Torque:**

**55 N·m {561 kgf·cm, 41 ft·lbf}**

(4) Fully tighten the 2 bolts (C).

**Torque:**

**86 N·m {877 kgf·cm, 63 ft·lbf}**

**7. CONNECT REAR TRACTION MOTOR CABLE**

**8. INSTALL NO. 6 FLOOR WIRE**

**9. INSTALL REAR SUSPENSION MEMBER SUB-ASSEMBLY**

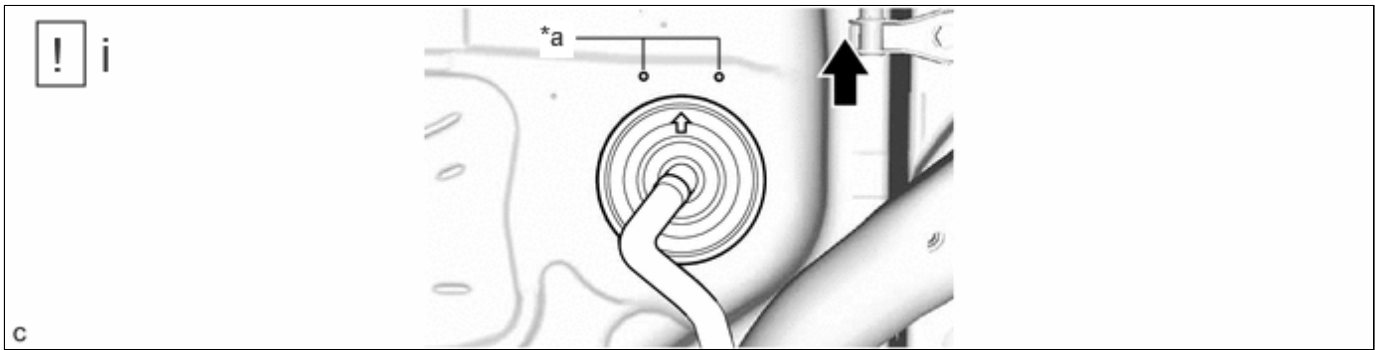
Click here [INFO](#)

**10. CONNECT REAR TRACTION MOTOR CABLE**



**CAUTION:**

Be sure to wear insulated gloves.

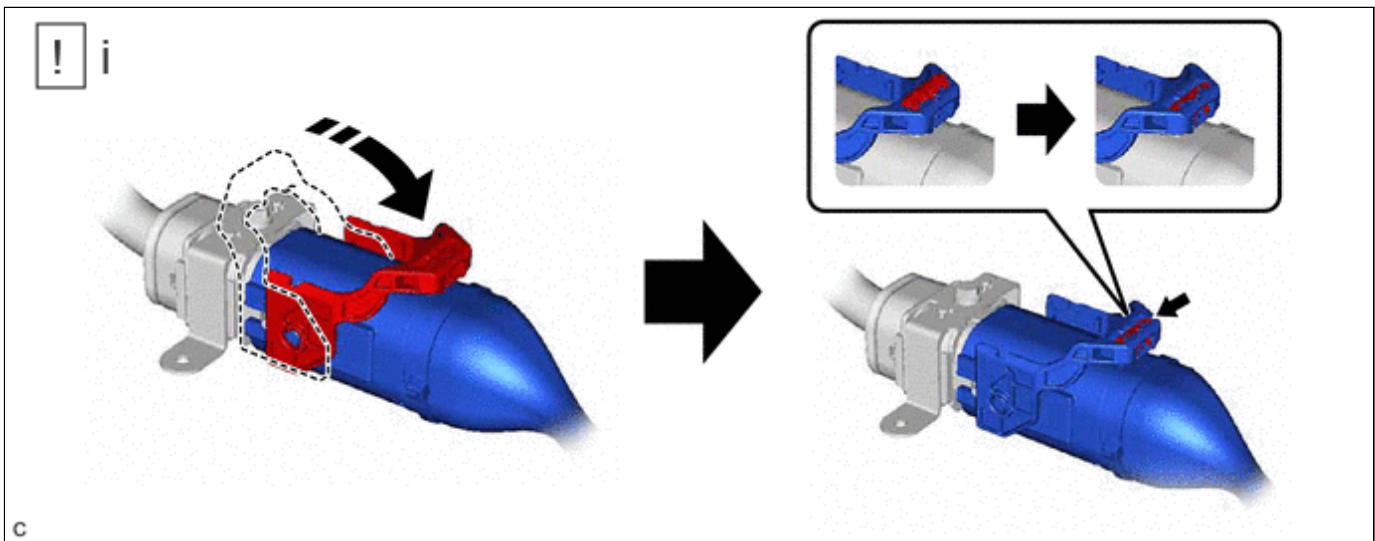


*a	Positioning Mark	-	-
	Rear of Vehicle	-	-

(1) Insert the rear traction motor cable into the cabin and connect the grommet of the rear traction motor cable to the vehicle body.

**NOTICE:**

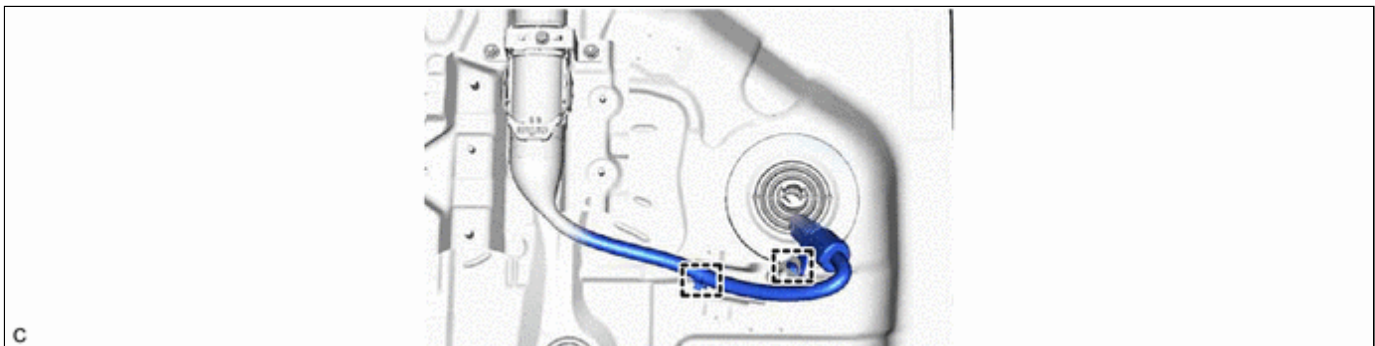
Make sure that the arrow of the grommet is positioned between the positioning marks as shown in the illustration.



(1) Connect the rear traction motor cable connector.

**HINT:**

Make sure that the connector is fully inserted before rotating the lock lever to engage the lock.



**11. INSTALL DECK FLOOR BOX LH**


**12. INSTALL DECK FLOOR BOX RH**

**13. INSTALL DECK BOARD ASSEMBLY**

**14. INSTALL SERVICE PLUG GRIP**

Click here [INFO](#)

**15. PERFORM RESOLVER LEARNING**

	<p><b>NOTICE:</b></p> <p>If the rear traction motor with transaxle assembly has been replaced, make sure to perform resolver learning.</p> <p>Click here <a href="#">INFO</a></p>
---	---

