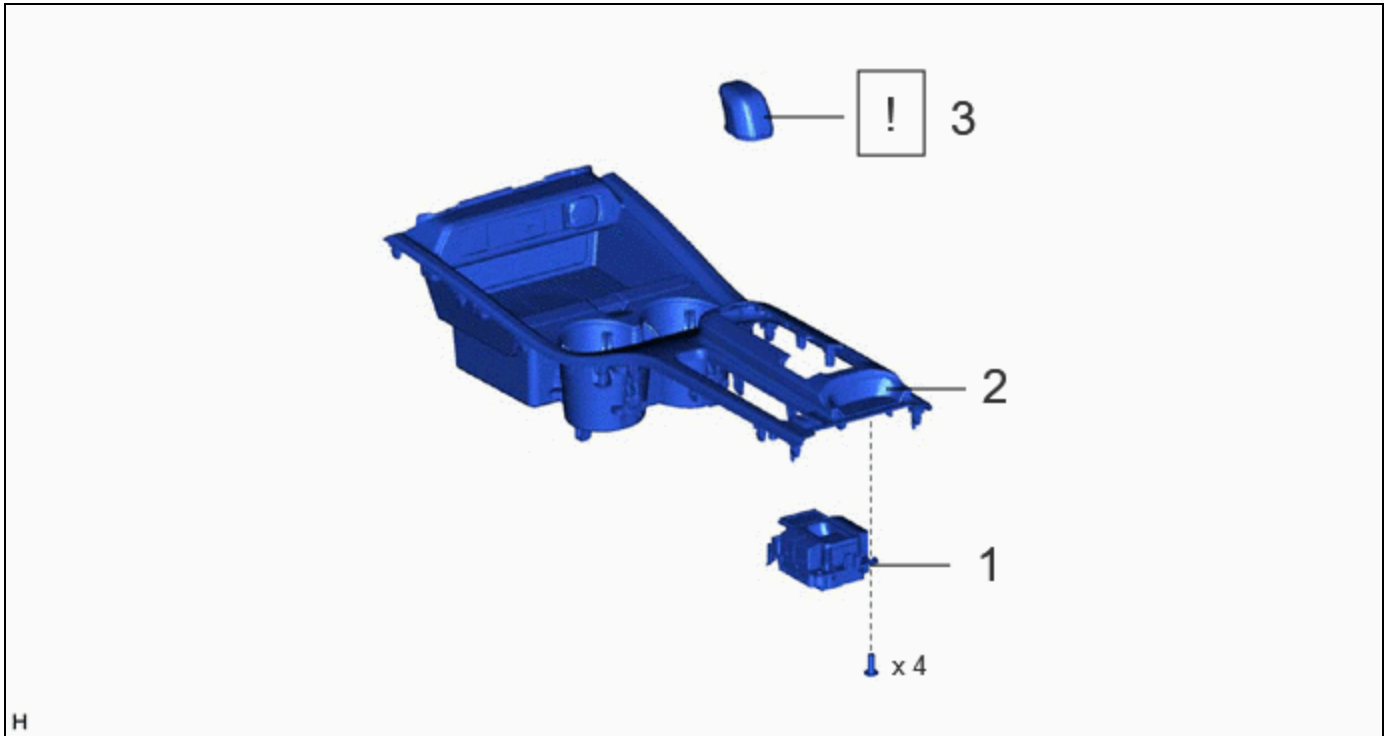





Last Modified: 12-04-2024	6.11:8.1.0	Doc ID: RM100000029TCX
Model Year Start: 2023	Model: Prius Prime	Prod Date Range: [12/2022 -]
Title: PARKING BRAKE: ELECTRIC PARKING BRAKE SWITCH: INSTALLATION; 2023 - 2024 MY Prius Prius Prime [12/2022 -]		

INSTALLATION

CAUTION / NOTICE / HINT

COMPONENTS (INSTALLATION)



	PROCEDURE	PART NAME CODE			
1	ELECTRIC PARKING BRAKE SWITCH ASSEMBLY	84390B	-	-	-
2	UPPER CONSOLE PANEL SUB-ASSEMBLY	58804A	-	-	-
3	SHIFT LEVER KNOB SUB-ASSEMBLY	33504F	-	-	-

PROCEDURE

- 1. INSTALL ELECTRIC PARKING BRAKE SWITCH ASSEMBLY**
- 2. INSTALL UPPER CONSOLE PANEL SUB-ASSEMBLY**
- 3. INSTALL SHIFT LEVER KNOB SUB-ASSEMBLY**



Click here [INFO](#)

