

Last Modified: 12-04-2024	6.11:8.1.0	Doc ID: RM100000002BZQF
Model Year Start: 2023	Model: Prius Prime	Prod Date Range: [03/2023 -]
Title: MAINTENANCE: REAR DISC BRAKE PAD: REMOVAL; 2023 - 2024 MY Prius Prius Prime [03/2023 -]		

REMOVAL

CAUTION / NOTICE / HINT

The necessary procedures (adjustment, calibration, initialization, or registration) that must be performed after parts are removed and installed, or replaced during rear disc brake pad removal/installation are shown below.

Necessary Procedures After Parts Removed/Installed/Replaced

REPLACED PART OR PERFORMED PROCEDURE	NECESSARY PROCEDURE	EFFECT/INOPERATIVE FUNCTION WHEN NECESSARY PROCEDURE NOT PERFORMED	LINK
Tires	<ul style="list-style-type: none"> Initialization*1*2 Tire Position Identification*1*2 	Tire Pressure Warning System	Refer to Procedures Necessary When Replacing Parts (for Tire Pressure Warning System) INFO
	Rear television camera assembly optical axis (Back camera position setting)*3	Parking Assist Monitor System	INFO
	Parking assist ECU initialization*3	Panoramic View Monitor System	INFO
		Advanced Park	INFO

*1: Also necessary after performing a tire rotation.

*2: It is not necessary to perform this procedure if the tire pressure warning valve and transmitters are installed to the same location.

*3: The vehicle height changes because of tire replacement.

HINT:

When the cable is disconnected / reconnected to the auxiliary battery terminal, systems temporarily stop operating. However, each system has a function that completes learning the first time the system is used.

Items for which learning is completed by driving the vehicle

EFFECT/INOPERATIVE FUNCTION WHEN NECESSARY PROCEDURE NOT PERFORMED	NECESSARY PROCEDURE	LINK
Front Camera System	Drive the vehicle straight ahead at 35 km/h (22 mph) or more for 5 seconds or more.	INFO

Items for which learning is completed by operating the vehicle normally

EFFECT/INOPERATIVE FUNCTION WHEN NECESSARY PROCEDURE NOT PERFORMED	NECESSARY PROCEDURE	LINK
Power Door Lock Control System*1 <ul style="list-style-type: none"> Back door opener 	Perform door unlock operation with door control switch or electrical key transmitter sub-assembly switch.	INFO
Power Back Door System*2	Reset back door close position	INFO
Air Conditioning System	<p>for HEV Model:</p> <p>After the ignition switch is turned to ON, the servo motor standard position is recognized.</p> <p>for PHEV Model:</p> <p>After the ignition switch is turned to ON, the servo motor and expansion valve standard position is recognized.</p>	-
<p>*1: w/o Power Back Door System</p> <p>*2: w/ Power Back Door System</p>		

CAUTION / NOTICE / HINT

NOTICE:

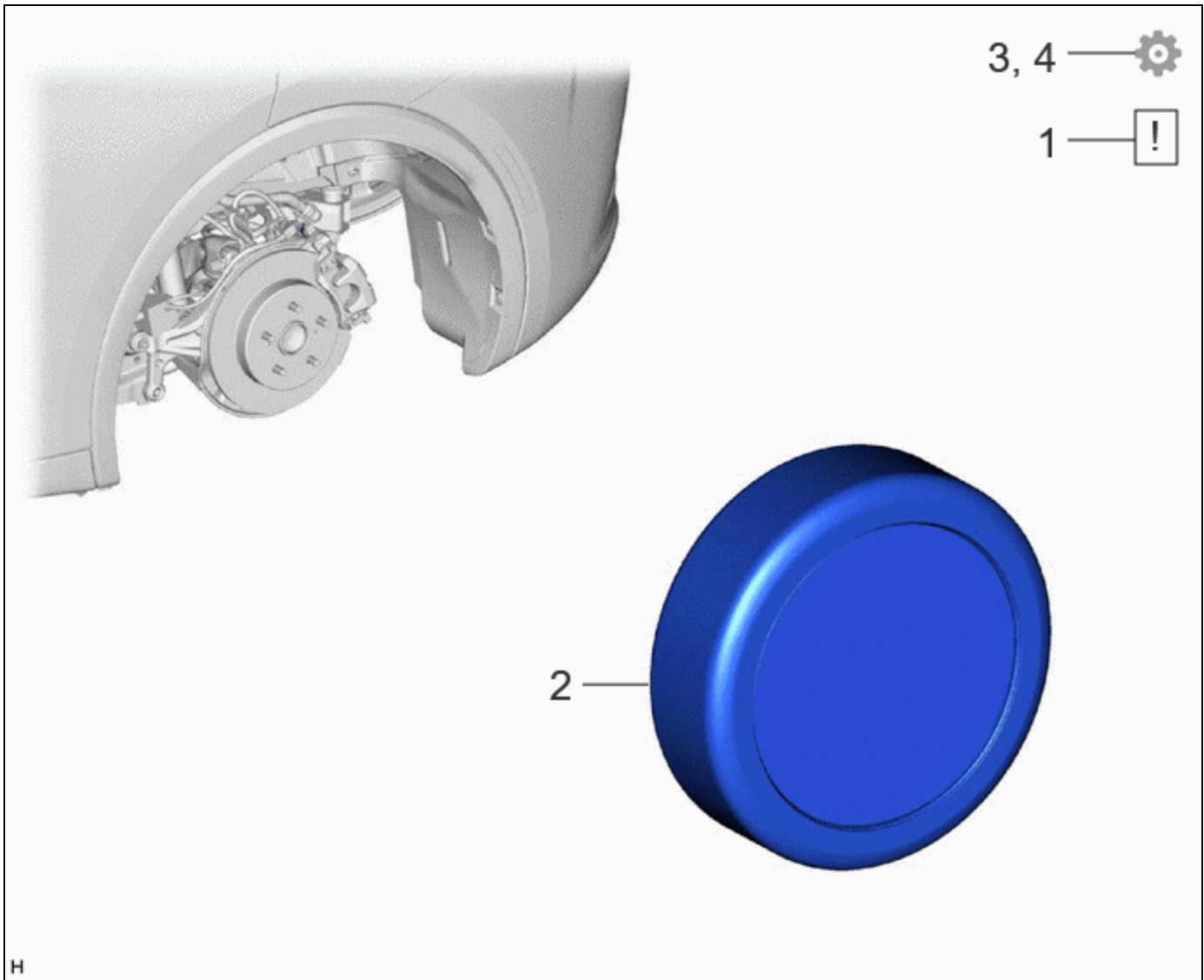
- Immediately after installing the brake pads, the braking performance may be reduced. Always perform a road test in a safe place while paying attention to the surroundings.
- After replacing the rear disc brake pads, the brake pedal may feel soft due to clearance between the rear disc brake pads and rear disc. Depress the brake pedal several times until the brake pedal feels firm.
- After replacing the rear disc brake pads, always perform a road test to check the braking performance and check for vibrations.
- While the auxiliary battery is connected, even if the ignition switch is off, the brake control system activates when the brake pedal is depressed or any door courtesy switch turns on. Therefore, when servicing the brake system components, do not operate the brake pedal or open/close the doors while the auxiliary battery is connected.
- When the brake pedal is first depressed after replacing the brake pads or pushing back the disc brake piston, DTCs may be stored. As there is no malfunction, clear the DTC.

HINT:

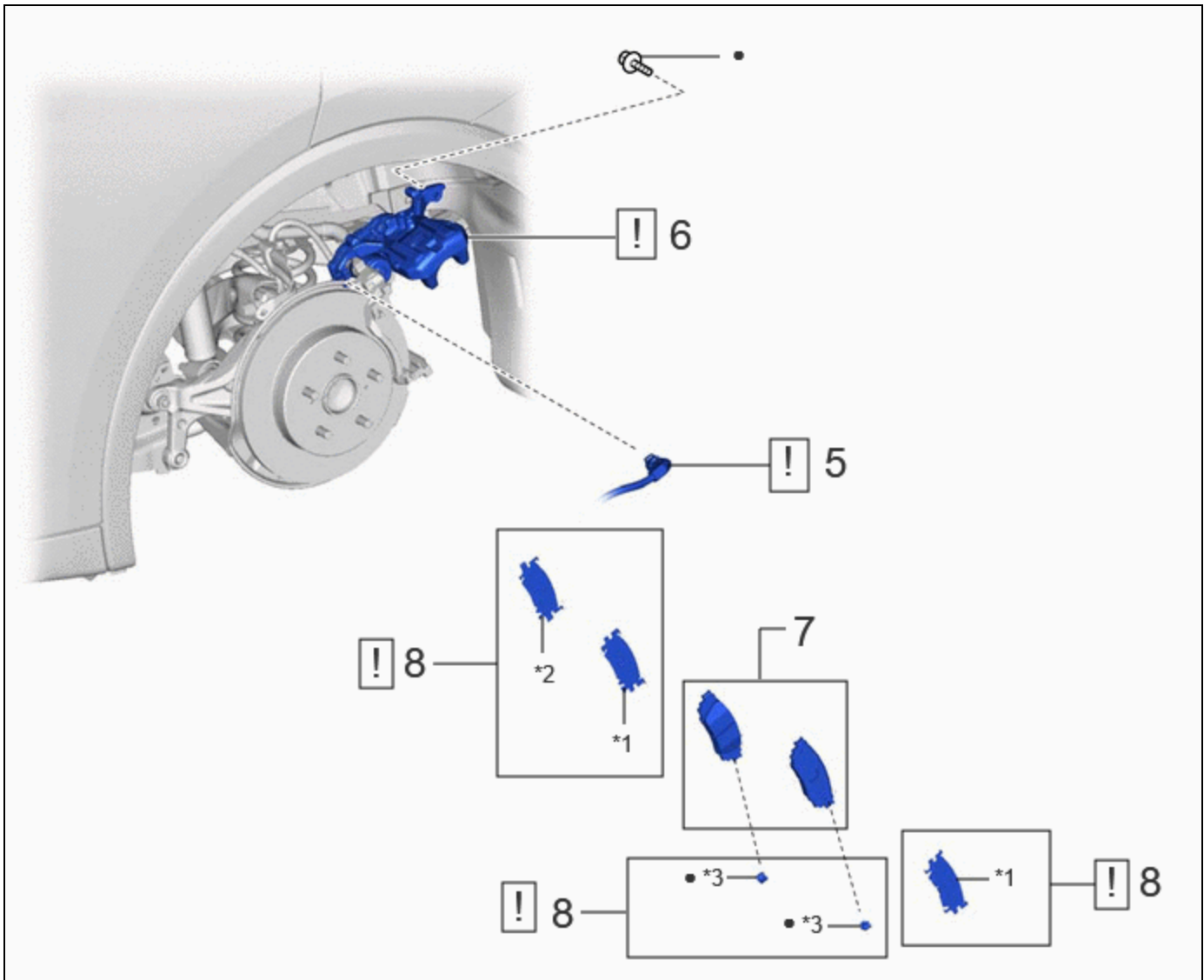
- Use the same procedure for the RH side and LH side.
- The following procedure is for the LH side.

CAUTION / NOTICE / HINT

COMPONENTS (REMOVAL)



PROCEDURE		PART NAME CODE			
1	PRECAUTION	-	INFO	-	-
2	REAR WHEEL	-	-	-	-
3	PERFORM REAR BRAKE PAD REPLACEMENT MODE	-	-	-	INFO
4	DISABLE BRAKE CONTROL	-	-	-	INFO




PROCEDURE	PART NAME CODE			
5 NO. 2 PARKING BRAKE WIRE ASSEMBLY	890C0A	INFO	-	-
6 REAR DISC BRAKE CYLINDER ASSEMBLY	-	INFO	-	-
7 REAR DISC BRAKE PAD	04466	-	-	-
8 REAR DISC BRAKE ANTI-SQUEAL SHIM KIT	04946	INFO	-	-

*1	Rear No. 1 Disc Brake Anti-squeal Shim	*2	Rear No. 2 Disc Brake Anti-squeal Shim
*3	Rear Disc Brake Pad Wear Indicator Plate	-	-
•	Non-reusable part	-	-

PROCEDURE


1. PRECAUTION

	<p>NOTICE:</p> <ul style="list-style-type: none">• After the ignition switch is turned off, there may be a waiting time before disconnecting the negative (-) auxiliary battery terminal. Click here INFO• Make sure to read the precautions of the electric parking brake system before removing the rear brake assembly. Click here INFO
---	--


2. REMOVE REAR WHEEL

Click here [INFO](#)


3. PERFORM REAR BRAKE PAD REPLACEMENT MODE

	Click here INFO
---	---------------------------------

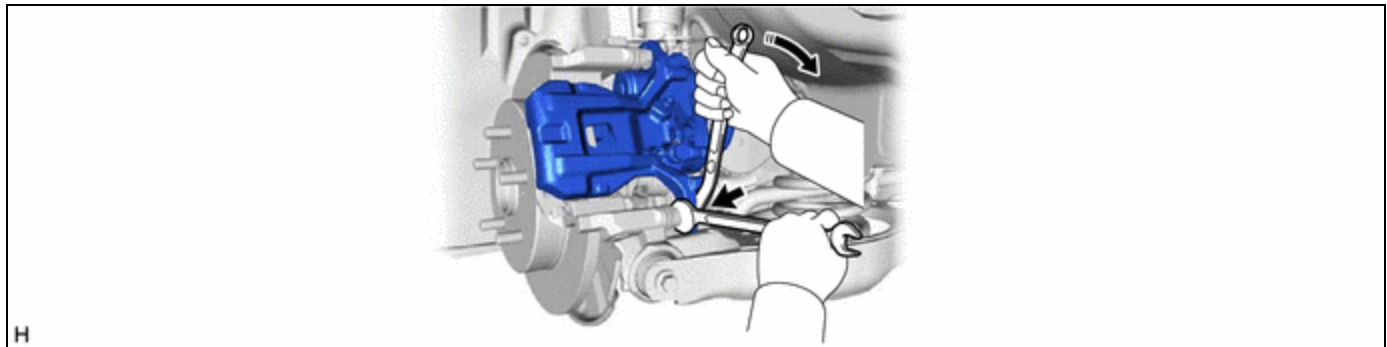
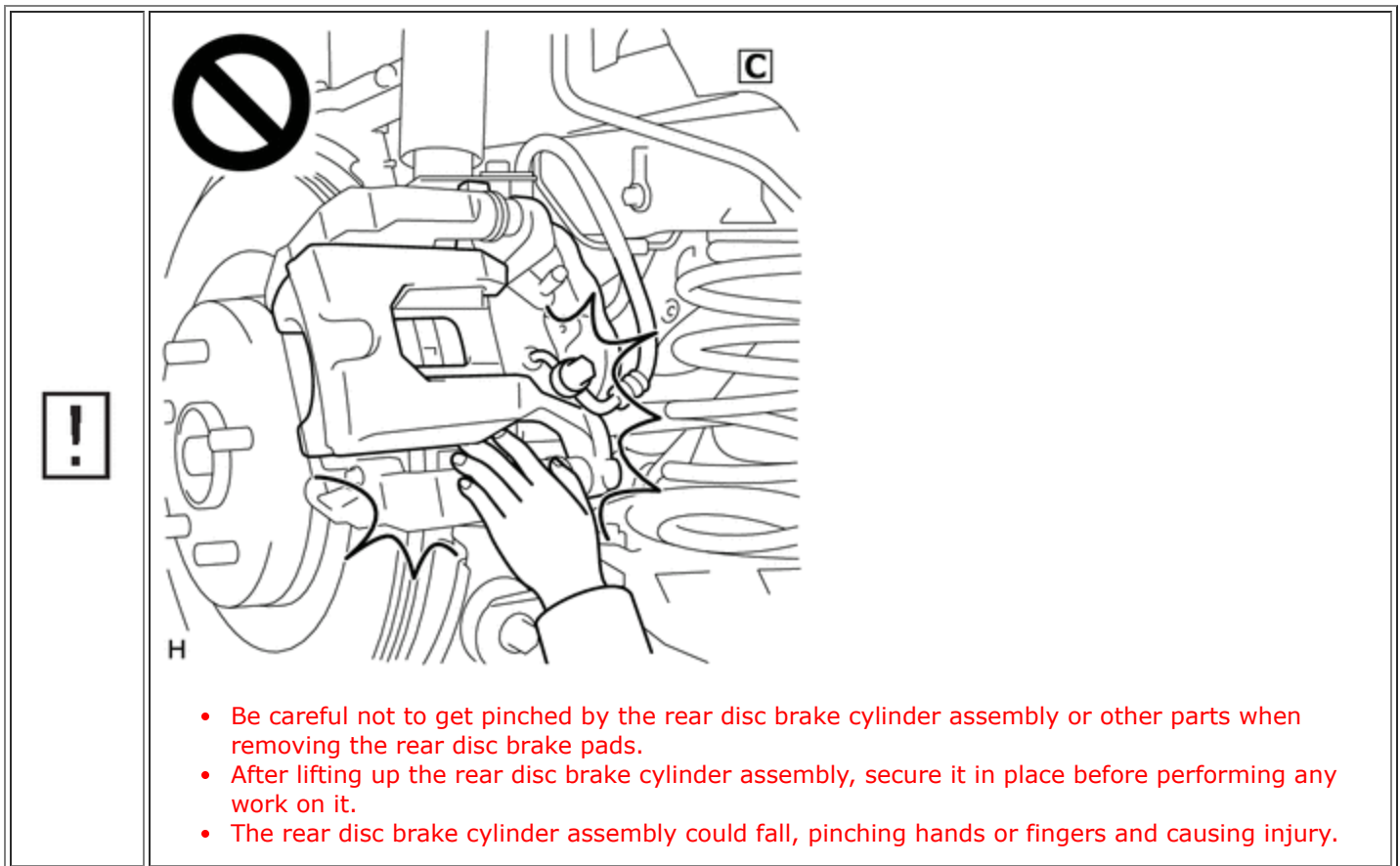
4. DISABLE BRAKE CONTROL

	Click here INFO
---	---------------------------------

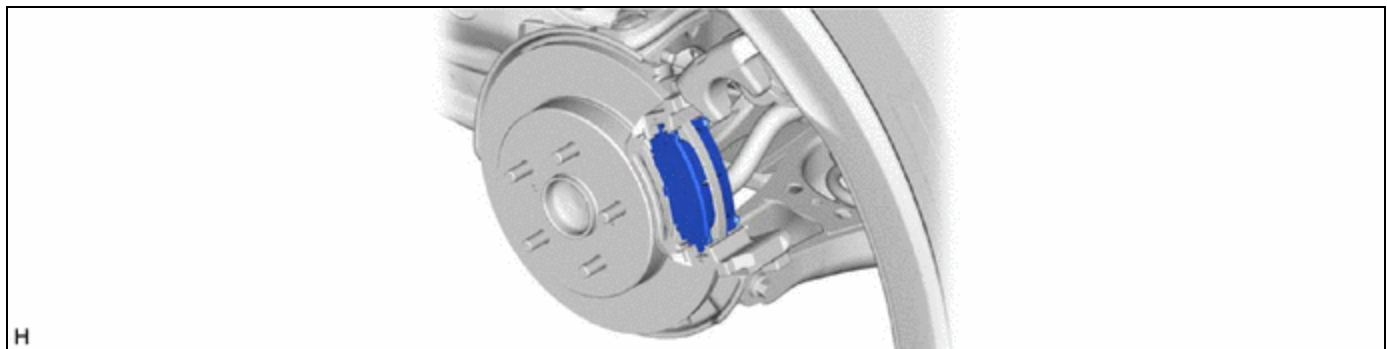
5. DISCONNECT NO. 2 PARKING BRAKE WIRE ASSEMBLY

	Click here INFO
---	---------------------------------

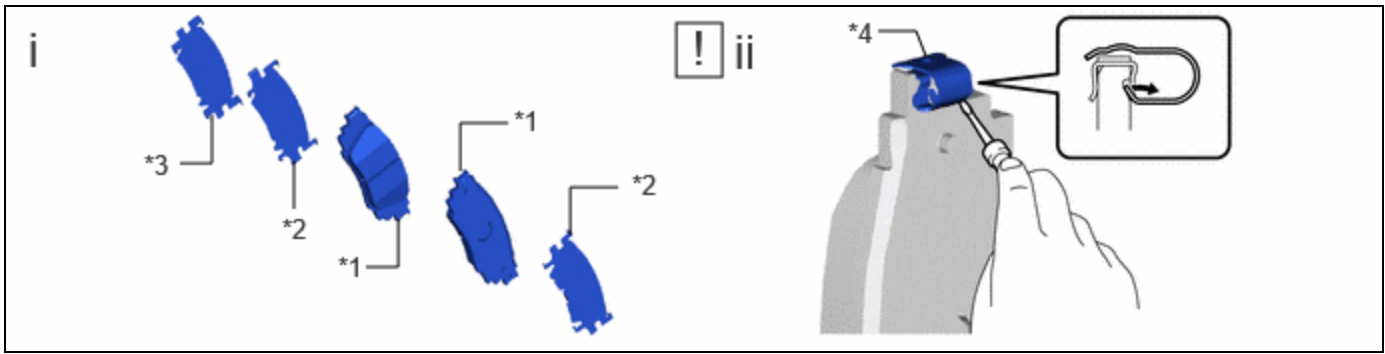
6. SEPARATE REAR DISC BRAKE CYLINDER ASSEMBLY



7. REMOVE REAR DISC BRAKE PAD



8. REMOVE REAR DISC BRAKE ANTI-SQUEAL SHIM KIT



*1	Rear Disc Brake Pad	*2	Rear No. 1 Disc Brake Anti-squeal Shim
*3	Rear No. 2 Disc Brake Anti-squeal Shim	*4	Rear Disc Brake Pad Wear Indicator Plate

- (1) Remove the rear No. 1 disc brake anti-squeal shim and rear No. 2 disc brake anti-squeal shim from each rear disc brake pad.
- (2) Using a screwdriver, remove the rear disc brake pad wear indicator plate from each rear disc brake pad.

