

Last Modified: 12-04-2024	6.11:8.1.0	Doc ID: RM100000002BZQG
Model Year Start: 2023	Model: Prius Prime	Prod Date Range: [03/2023 -]
Title: MAINTENANCE: REAR BRAKE FLEXIBLE HOSE: REMOVAL; 2023 - 2024 MY Prius Prius Prime [03/2023 -]		

REMOVAL

CAUTION / NOTICE / HINT

The necessary procedures (adjustment, calibration, initialization, or registration) that must be performed after parts are removed and installed, or replaced during rear brake flexible hose removal/installation are shown below.

Necessary Procedures After Parts Removed/Installed/Replaced

REPLACED PART OR PERFORMED PROCEDURE	NECESSARY PROCEDURE	EFFECT/INOPERATIVE FUNCTION WHEN NECESSARY PROCEDURE NOT PERFORMED	LINK
Tires	<ul style="list-style-type: none"> Initialization*1*2 Tire Position Identification*1*2 	Tire Pressure Warning System	Refer to Procedures Necessary When Replacing Parts (for Tire Pressure Warning System) INFO
	Rear television camera assembly optical axis (Back camera position setting)*3	Parking Assist Monitor System	INFO
	Parking assist ECU initialization*3	Panoramic View Monitor System	INFO
		Advanced Park	INFO
<p>*1: Also necessary after performing a tire rotation.</p> <p>*2: It is not necessary to perform this procedure if the tire pressure warning valve and transmitters are installed to the same location.</p> <p>*3: The vehicle height changes because of tire replacement.</p>			

HINT:

When the cable is disconnected / reconnected to the auxiliary battery terminal, systems temporarily stop operating. However, each system has a function that completes learning the first time the system is used.

Items for which learning is completed by driving the vehicle

EFFECT/INOPERATIVE FUNCTION WHEN NECESSARY PROCEDURE NOT PERFORMED	NECESSARY PROCEDURE	LINK
Front Camera System	Drive the vehicle straight ahead at 35 km/h (22 mph) or more for 5 seconds or more.	INFO

Items for which learning is completed by operating the vehicle normally

EFFECT/INOPERATIVE FUNCTION WHEN NECESSARY PROCEDURE NOT PERFORMED	NECESSARY PROCEDURE	LINK
Power Door Lock Control System*1 <ul style="list-style-type: none"> • Back door opener 	Perform door unlock operation with door control switch or electrical key transmitter sub-assembly switch.	INFO
Power Back Door System*2	Reset back door close position	INFO
Air Conditioning System	for HEV Model: After the ignition switch is turned to ON, the servo motor standard position is recognized. for PHEV Model: After the ignition switch is turned to ON, the servo motor and expansion valve standard position is recognized.	-
*1: w/o Power Back Door System *2: w/ Power Back Door System		

CAUTION / NOTICE / HINT

NOTICE:

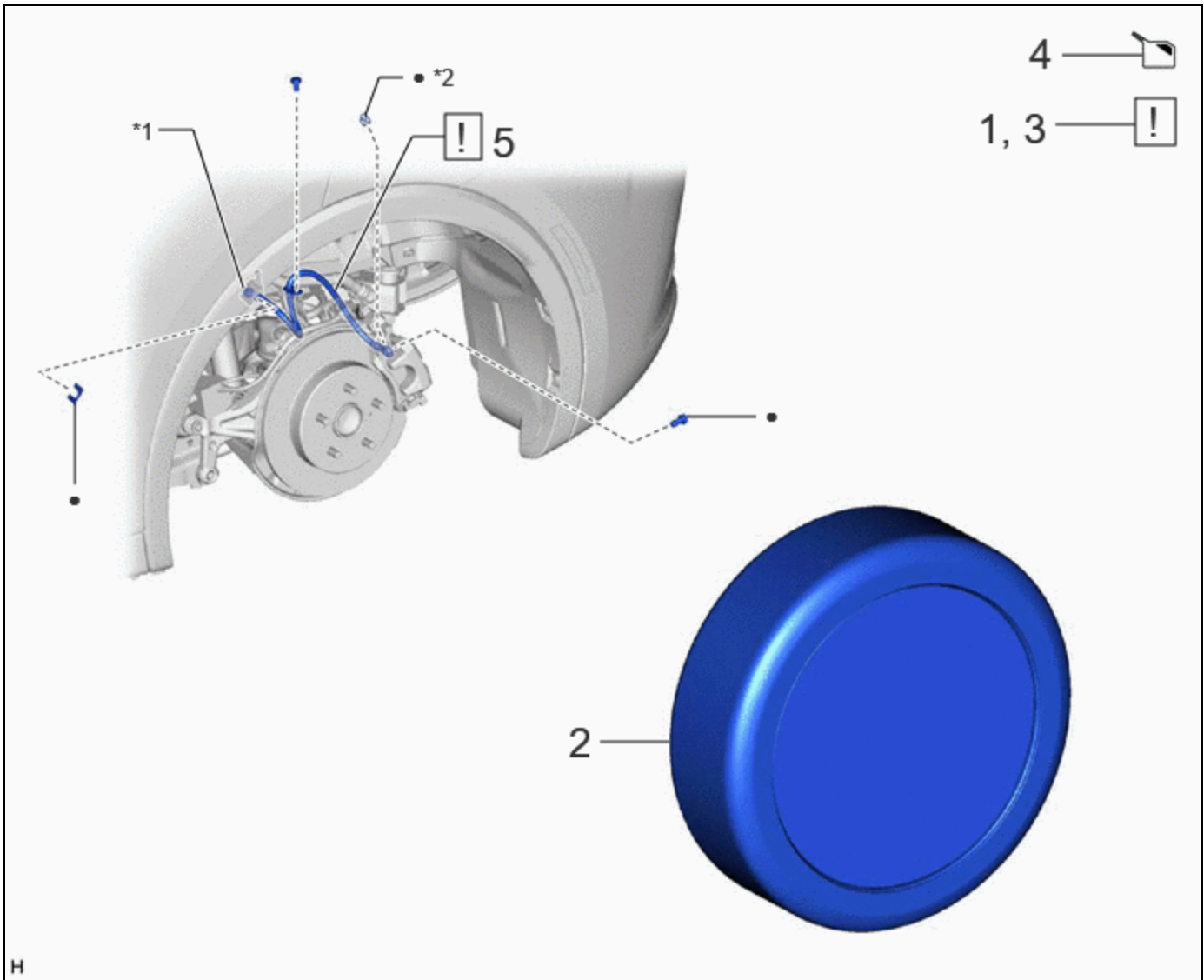
If both left and right rear flexible hoses are disconnected at the same time, be sure to place an identification mark on each hose to indicate its installation position.

HINT:

- Use the same procedure for the RH side and LH side.
- The following procedure is for the LH side.

CAUTION / NOTICE / HINT

COMPONENTS (REMOVAL)



	PROCEDURE	PART NAME CODE			
1	PRECAUTION	-	INFO	-	-
2	REAR WHEEL	-	-	-	-
3	DISABLE BRAKE CONTROL	-	INFO	-	-
4	DRAIN BRAKE FLUID	-	-	INFO	-
5	REAR FLEXIBLE HOSE	47319F	INFO	-	-

*1	BRAKE LINE	*2	GASKET
•	Non-reusable part	-	-

PROCEDURE

1. PRECAUTION

**NOTICE:**

After the ignition switch is turned off, there may be a waiting time before disconnecting the negative (-) auxiliary battery terminal.

Click here [INFO](#)

2. REMOVE REAR WHEEL

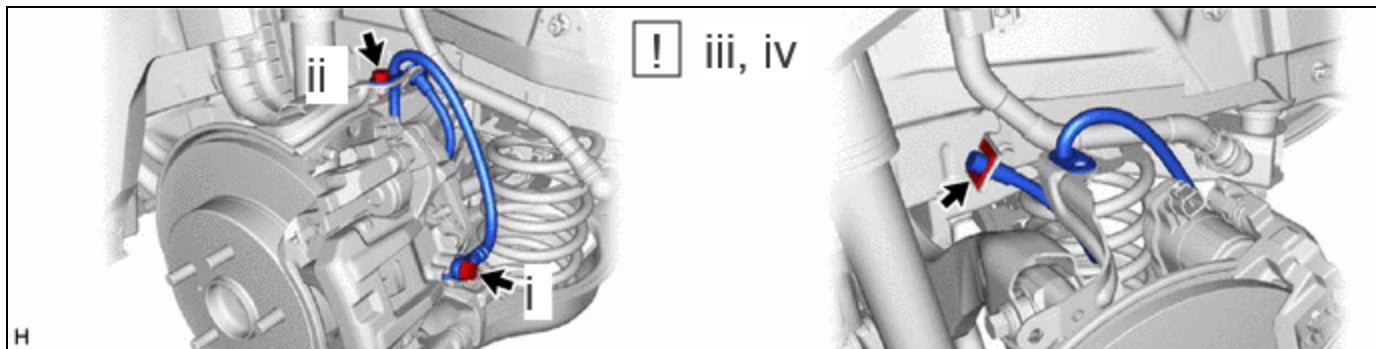
Click here [INFO](#)

3. DISABLE BRAKE CONTROL

Click here [INFO](#)

4. DRAIN BRAKE FLUID**NOTICE:**

If brake fluid leaks onto any painted surface, immediately wash it off.

5. REMOVE REAR FLEXIBLE HOSE

- (1) Remove the union bolt and gasket, and disconnect the rear flexible hose from the rear disc brake cylinder assembly.
- (2) Remove the bolt and separate the rear flexible hose.
- (3) Using a union nut wrench, disconnect the brake line while holding the rear flexible hose with a wrench.

NOTICE:

- Do not kink or damage the brake line.
- Do not allow any foreign matter such as dirt or dust to enter the brake line from the connecting parts.

- (4) Remove the clip and rear flexible hose from the vehicle body.

