

Last Modified: 12-04-2024	6.11:8.1.0	Doc ID: RM100000002A2SP
Model Year Start: 2023	Model: Prius Prime	Prod Date Range: [12/2022 -]
Title: BRAKE (REAR): REAR BRAKE: DISASSEMBLY; 2023 - 2024 MY Prius Prius Prime [12/2022 -]		

DISASSEMBLY

CAUTION / NOTICE / HINT

CAUTION:

If the rear disc brake cylinder assembly has been disassembled, perform air bleeding for the rear disc brake cylinder assembly.

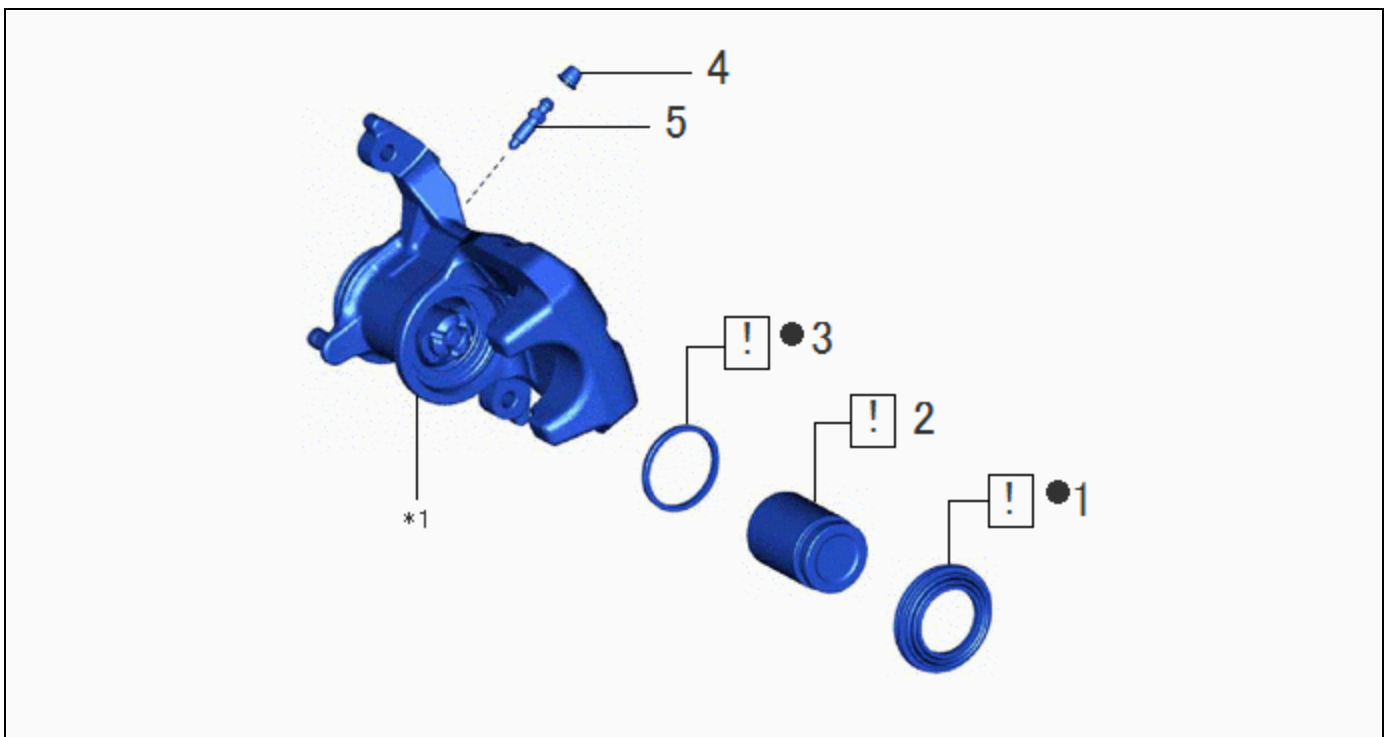
[Click here](#) **INFO**




NOTICE:

- Make sure not to scratch, damage or apply excessive force to any of the internal components of the rear disc brake cylinder.
- To prevent rusting on the inside of the rear disc brake cylinder, perform the rear disc brake piston removal and installation quickly.
- Do not clean the interior of the rear disc brake cylinder with brake cleaner.
- Do not remove any parts unless specifically instructed to do so, and only remove the parts indicated.
- Make sure to enter pad replacement mode before removing the rear disc brake cylinder assembly.

[Click here](#) **INFO**

COMPONENTS (DISASSEMBLY)

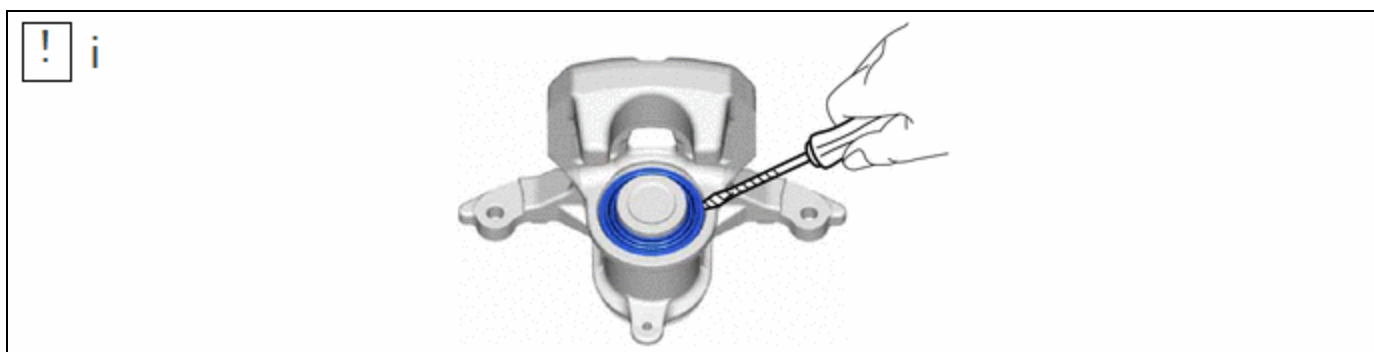


	PROCEDURE	PART NAME CODE			
1	CYLINDER BOOT	-	INFO	-	-
2	REAR DISC BRAKE PISTON	47831	INFO	-	-
3	PISTON SEAL	-	INFO	-	-
4	REAR DISC BRAKE BLEEDER PLUG CAP	31478C	-	-	-
5	REAR DISC BRAKE BLEEDER PLUG	47547C	-	-	-

*1	REAR DISC BRAKE CYLINDER ASSEMBLY	-	-
•	Non-reusable part	-	-

PROCEDURE

1. REMOVE CYLINDER BOOT



- (1) Using a screwdriver with its tip wrapped with protective tape, remove the cylinder boot from the rear disc brake cylinder.

NOTICE:

Do not damage the inner surface or cylinder boot groove of the rear disc brake cylinder.

2. REMOVE REAR DISC BRAKE PISTON



- (1) Place a piece of cloth between the rear disc brake piston and rear disc brake cylinder.
 (2) Apply compressed air to remove the rear disc brake piston from the rear disc brake cylinder.

!

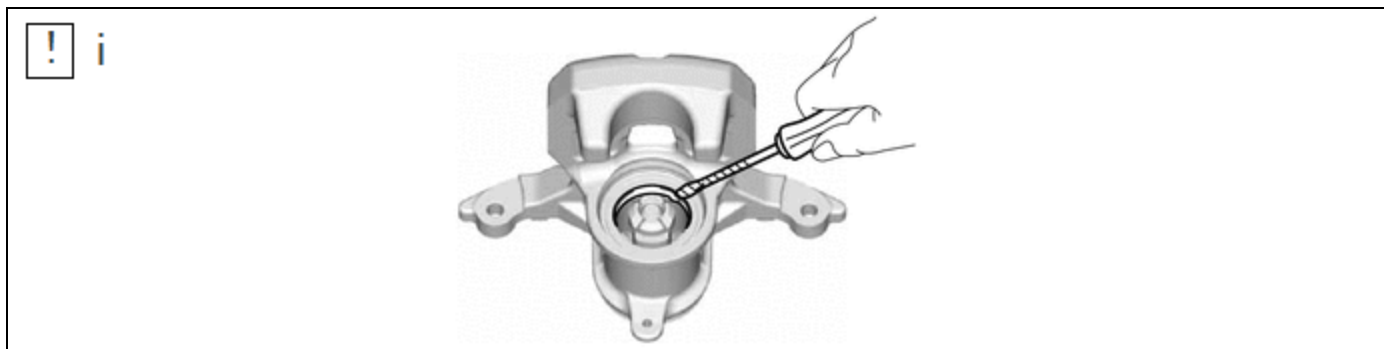
CAUTION:

- Do not hold the rear disc brake cylinder with any part of your hand between the rear disc brake cylinder and rear disc brake piston.
- Do not place any part of your hand in front of the rear disc brake piston when using compressed air as a severe injury may result.



NOTICE:

Do not allow any brake fluid to spatter.

3. REMOVE PISTON SEAL

(1) Using a screwdriver with its tip wrapped with protective tape, remove the piston seal from the rear disc brake cylinder.

NOTICE:

- Do not damage the inner surface or piston seal groove of the rear disc brake cylinder.
- Do not allow the nut to rotate. If the nut is accidentally allowed to rotate, return it to its original position.

4. REMOVE REAR DISC BRAKE BLEEDER PLUG CAP**5. REMOVE REAR DISC BRAKE BLEEDER PLUG**

