

<b>Last Modified:</b> 12-04-2024	6.11:8.1.0	<b>Doc ID:</b> RM10000002BZQB
<b>Model Year Start:</b> 2023	<b>Model:</b> Prius Prime	<b>Prod Date Range:</b> [03/2023 - ]
<b>Title:</b> MAINTENANCE: FRONT BRAKE FLEXIBLE HOSE: REMOVAL; 2023 - 2024 MY Prius Prius Prime [03/2023 - ]		

## REMOVAL

### CAUTION / NOTICE / HINT

The necessary procedures (adjustment, calibration, initialization, or registration) that must be performed after parts are removed and installed, or replaced during front flexible hose removal/installation are shown below.

#### **Necessary Procedures After Parts Removed/Installed/Replaced**

REPLACED PART OR PERFORMED PROCEDURE	NECESSARY PROCEDURE	EFFECT/INOPERATIVE FUNCTION WHEN NECESSARY PROCEDURE NOT PERFORMED	LINK
Tires	<ul style="list-style-type: none"> <li>Initialization*1*2</li> <li>Tire Position Identification*1*2</li> </ul>	Tire Pressure Warning System	Refer to Procedures Necessary When Replacing Parts (for Tire Pressure Warning System) <a href="#">INFO</a>
	Rear television camera assembly optical axis (Back camera position setting)*3	Parking Assist Monitor System	<a href="#">INFO</a>
	Parking assist ECU initialization*3	Panoramic View Monitor System	<a href="#">INFO</a>
		Advanced Park	<a href="#">INFO</a>
<p>*1: Also necessary after performing a tire rotation.</p> <p>*2: It is not necessary to perform this procedure if the tire pressure warning valve and transmitters are installed to the same location.</p> <p>*3: The vehicle height changes because of tire replacement.</p>			

#### **HINT:**

When the cable is disconnected / reconnected to the auxiliary battery terminal, systems temporarily stop operating. However, each system has a function that completes learning the first time the system is used.

#### **Items for which learning is completed by driving the vehicle**

EFFECT/INOPERATIVE FUNCTION WHEN NECESSARY PROCEDURE NOT PERFORMED	NECESSARY PROCEDURE	LINK
Front Camera System	Drive the vehicle straight ahead at 35 km/h (22 mph) or more for 5 seconds or more.	<a href="#">INFO</a>

#### **Items for which learning is completed by operating the vehicle normally**

EFFECT/INOPERATIVE FUNCTION WHEN NECESSARY PROCEDURE NOT PERFORMED	NECESSARY PROCEDURE	LINK
Power Door Lock Control System*1 <ul style="list-style-type: none"> <li>Back door opener</li> </ul>	Perform door unlock operation with door control switch or electrical key transmitter sub-assembly switch.	INFO
Power Back Door System*2	Reset back door close position	INFO
Air Conditioning System	<p><b>for HEV Model:</b></p> <p>After the ignition switch is turned to ON, the servo motor standard position is recognized.</p> <p><b>for PHEV Model:</b></p> <p>After the ignition switch is turned to ON, the servo motor and expansion valve standard position is recognized.</p>	-
<p>*1: w/o Power Back Door System</p> <p>*2: w/ Power Back Door System</p>		

## CAUTION / NOTICE / HINT

### NOTICE:

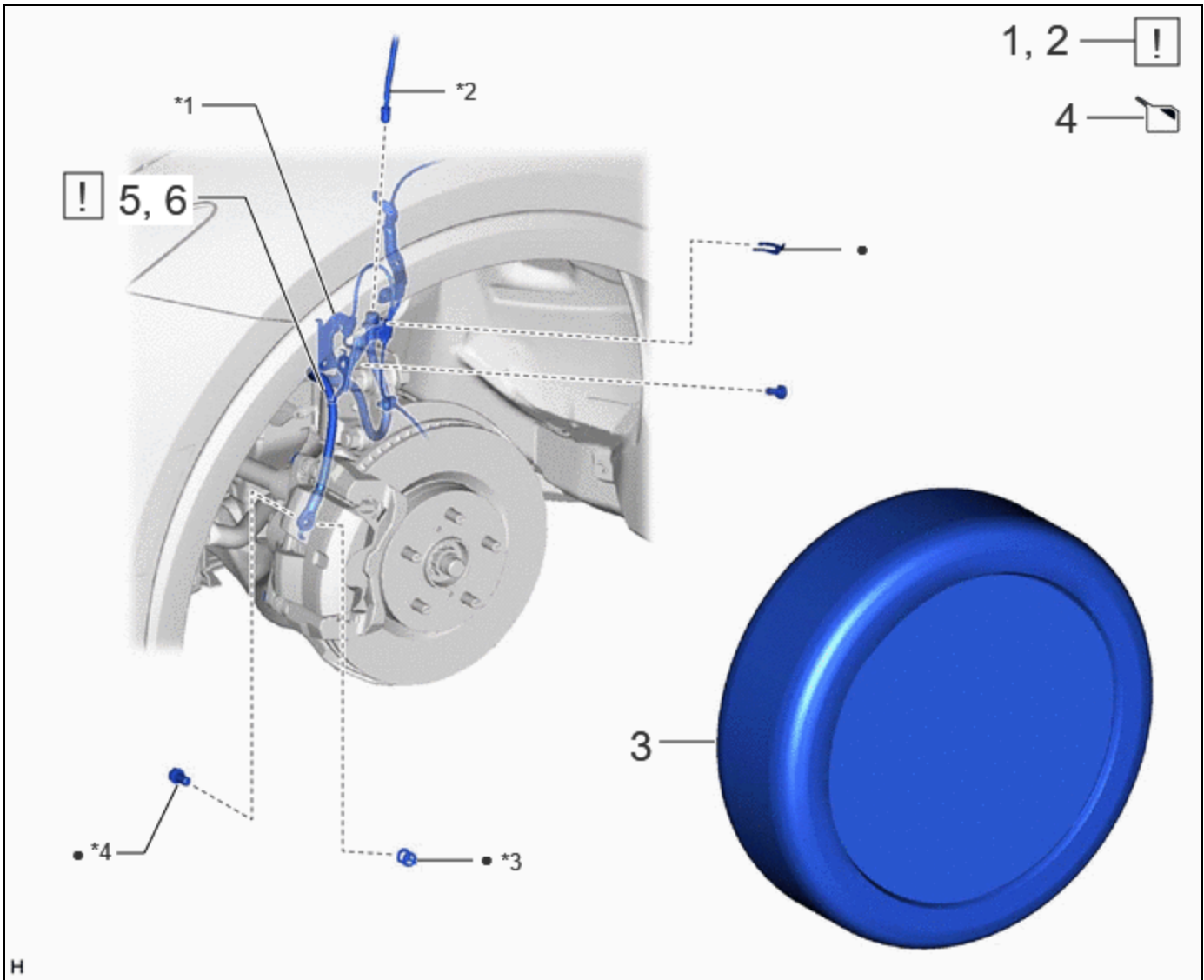
If both left and right front flexible hoses are disconnected at the same time, be sure to place an identification mark on each hose to indicate its installation position.

### HINT:

- Use the same procedure for the RH side and LH side.
- The following procedure is for the LH side.

## CAUTION / NOTICE / HINT

### COMPONENTS (REMOVAL)



PROCEDURE		PART NAME CODE			
1	PRECAUTION	-	<a href="#">INFO</a>	-	-
2	DISABLE BRAKE CONTROL	-	<a href="#">INFO</a>	-	-
3	FRONT WHEEL	-	-	-	-
4	DRAIN BRAKE FLUID	-	-	<a href="#">INFO</a>	-
5	DISCONNECT FRONT FLEXIBLE HOSE	47313J	<a href="#">INFO</a>	-	-
6	REMOVE FRONT FLEXIBLE HOSE	47313J	<a href="#">INFO</a>	-	-

*1	FRONT SPEED SENSOR	*2	BRAKE LINE
*3	GASKET	*4	UNION BOLT
•	Non-reusable part	-	-

## PROCEDURE

## 1. PRECAUTION



### NOTICE:

After the ignition switch is turned off, there may be a waiting time before disconnecting the negative (-) auxiliary battery terminal.

Click here [INFO](#)

## 2. DISABLE BRAKE CONTROL



Click here [INFO](#)

## 3. REMOVE FRONT WHEEL

Click here [INFO](#)

## 4. DRAIN BRAKE FLUID



### NOTICE:

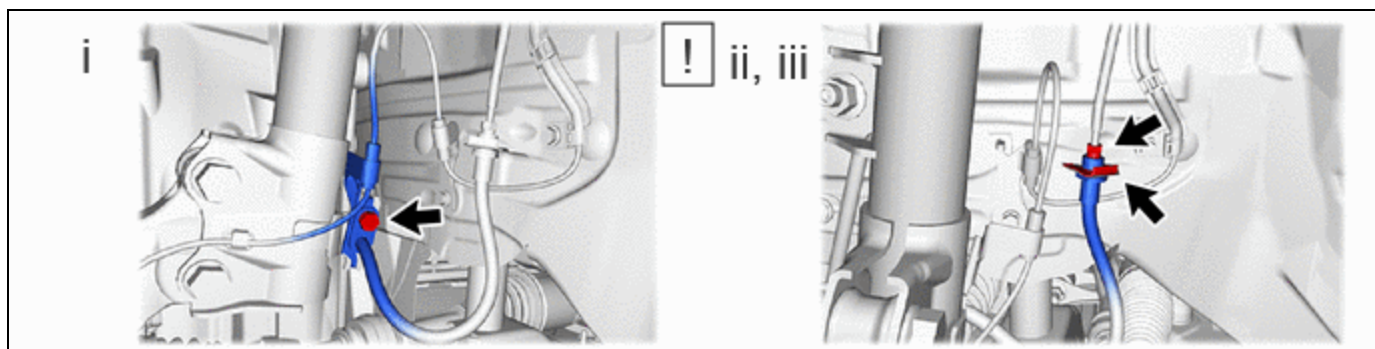
If brake fluid leaks onto any painted surface, immediately wash it off.

## 5. DISCONNECT FRONT FLEXIBLE HOSE



Click here [INFO](#)

## 6. REMOVE FRONT FLEXIBLE HOSE



(1) Remove the bolt and separate the front flexible hose from the front shock absorber assembly.

(2) Using a union nut wrench, disconnect the brake line while holding the front flexible hose with a wrench.

### NOTICE:

- Do not kink or damage the brake line.
- Do not allow any foreign matter such as dirt or dust to enter the brake line from the connecting parts.

(3) Remove the clip and front flexible hose from the vehicle body.

