

Last Modified: 12-04-2024	6.11:8.1.0	Doc ID: RM10000002BYFM
Model Year Start: 2023	Model: Prius Prime	Prod Date Range: [03/2023 -]
Title: BRAKE CONTROL / DYNAMIC CONTROL SYSTEMS: STEERING ANGLE SENSOR: REMOVAL; 2023 - 2024 MY Prius Prius Prime [03/2023 -]		

REMOVAL

CAUTION / NOTICE / HINT

The necessary procedures (adjustment, calibration, initialization or registration) that must be performed after parts are removed and installed, or replaced during steering angle sensor removal/installation are shown below.

Necessary Procedures After Parts Removed/Installed/Replaced

REPLACED PART OR PERFORMED PROCEDURE	NECESSARY PROCEDURE	EFFECT/INOPERATIVE FUNCTION WHEN NECESSARY PROCEDURE NOT PERFORMED	LINK
Steering sensor	Update ECU security key	Vehicle Control History (RoB) are stored	INFO

NOTICE:

If both the spiral cable sub-assembly and the steering sensor are malfunctioning, replace them with a new spiral cable with sensor sub-assembly.

HINT:

When the cable is disconnected / reconnected to the auxiliary battery terminal, systems temporarily stop operating. However, each system has a function that completes learning the first time the system is used.

Learning completes when vehicle is driven

EFFECT/INOPERATIVE FUNCTION WHEN NECESSARY PROCEDURE NOT PERFORMED	NECESSARY PROCEDURE	LINK
Front Camera System	Drive the vehicle straight ahead at 35 km/h (22 mph) or more for 5 seconds or more.	INFO

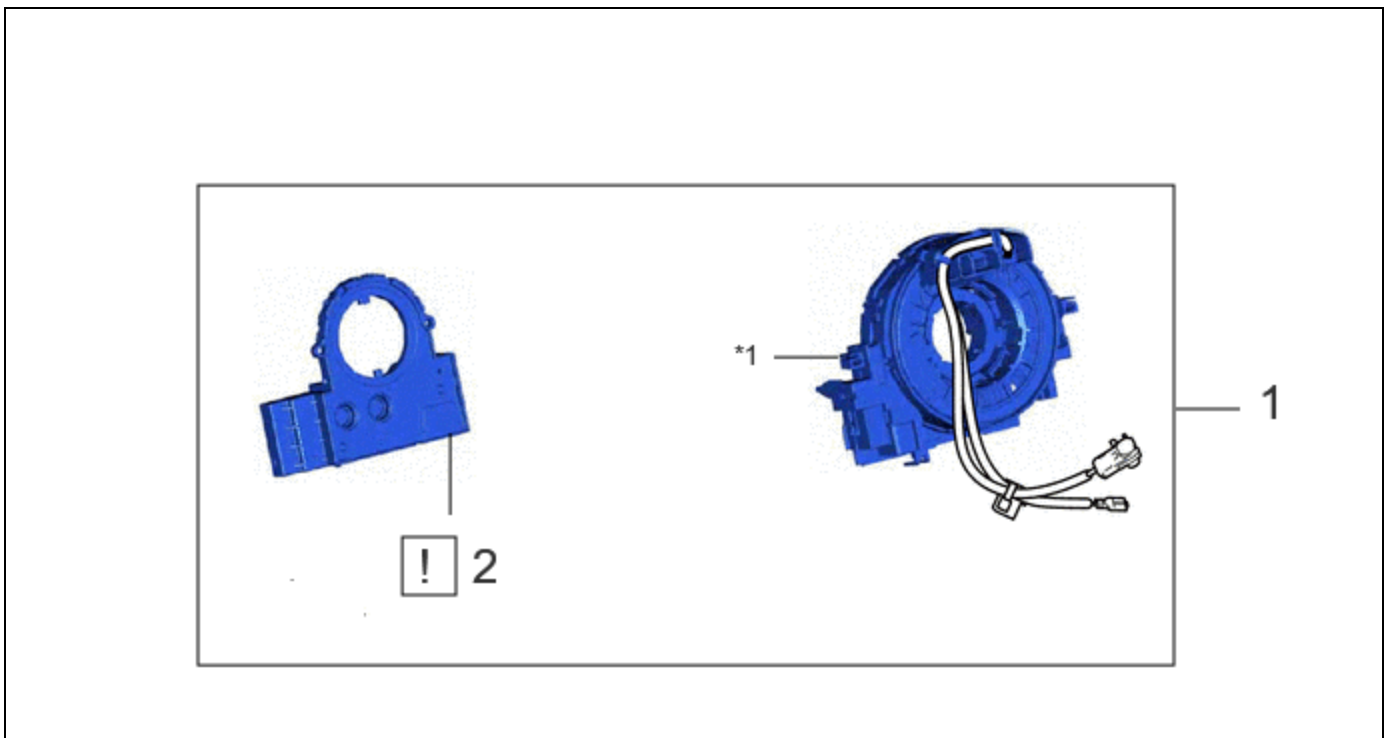
Learning completes when vehicle is operated normally

EFFECT/INOPERATIVE FUNCTION WHEN NECESSARY PROCEDURE NOT PERFORMED	NECESSARY PROCEDURE	LINK
Power Door Lock Control System*1 • Back door opener	Perform door unlock operation with door control switch or electrical key transmitter sub-assembly switch.	INFO
Power Back Door System*2	Reset back door close position	INFO
Air Conditioning System	for HEV Model: After the ignition switch is turned to ON, the servo motor standard position is recognized. for PHEV Model:	-
*1: w/o Power Back Door System		
*2: w/ Power Back Door System		

EFFECT/INOPERATIVE FUNCTION WHEN NECESSARY PROCEDURE NOT PERFORMED	NECESSARY PROCEDURE	LINK
	After the ignition switch is turned to ON, the servo motor and expansion valve standard position is recognized.	
<p>*1: w/o Power Back Door System</p> <p>*2: w/ Power Back Door System</p>		

CAUTION / NOTICE / HINT

COMPONENTS (REMOVAL)



PROCEDURE	PART NAME CODE	!	📄	⚙️
1 SPIRAL CABLE WITH SENSOR SUB-ASSEMBLY	-	-	-	-
2 STEERING SENSOR	89245B	INFO	-	-

*1	SPIRAL CABLE SUB-ASSEMBLY	-	-
----	---------------------------	---	---

PROCEDURE

1. REMOVE SPIRAL CABLE WITH SENSOR SUB-ASSEMBLY

Click here [INFO](#)

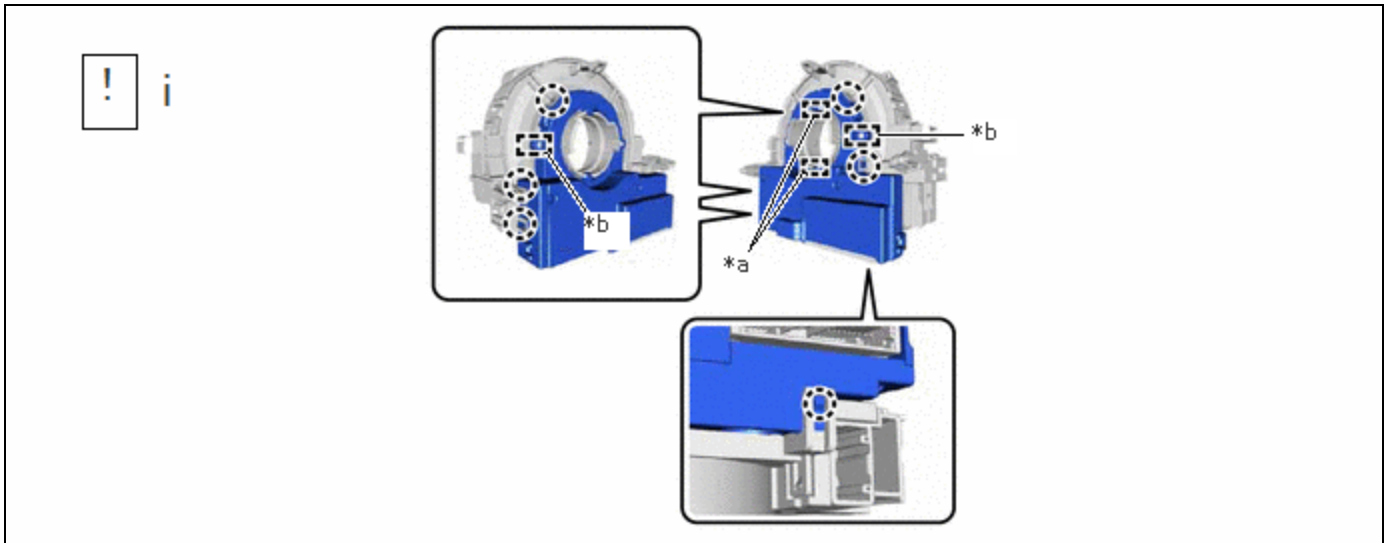
2. REMOVE STEERING SENSOR

!

NOTICE:

- Remove the steering sensor from the spiral cable sub-assembly only when replacing the spiral cable sub-assembly or the steering sensor.
- Removing the steering sensor from the spiral cable sub-assembly without using a lock pin may result in the center position of the steering sensor becoming misaligned. Therefore, make sure to use the lock pin provided with a new spiral cable sub-assembly when removing the steering sensor from the spiral cable sub-assembly.
- When replacing the spiral cable sub-assembly:

INFO



*a	Guide	*b	Pin
----	-------	----	-----

(1) Disengage the 6 claws, 2 guides and 2 pins, and remove the steering sensor from the spiral cable sub-assembly.

NOTICE:

Do not damage the claws or pins of the spiral cable sub-assembly.

