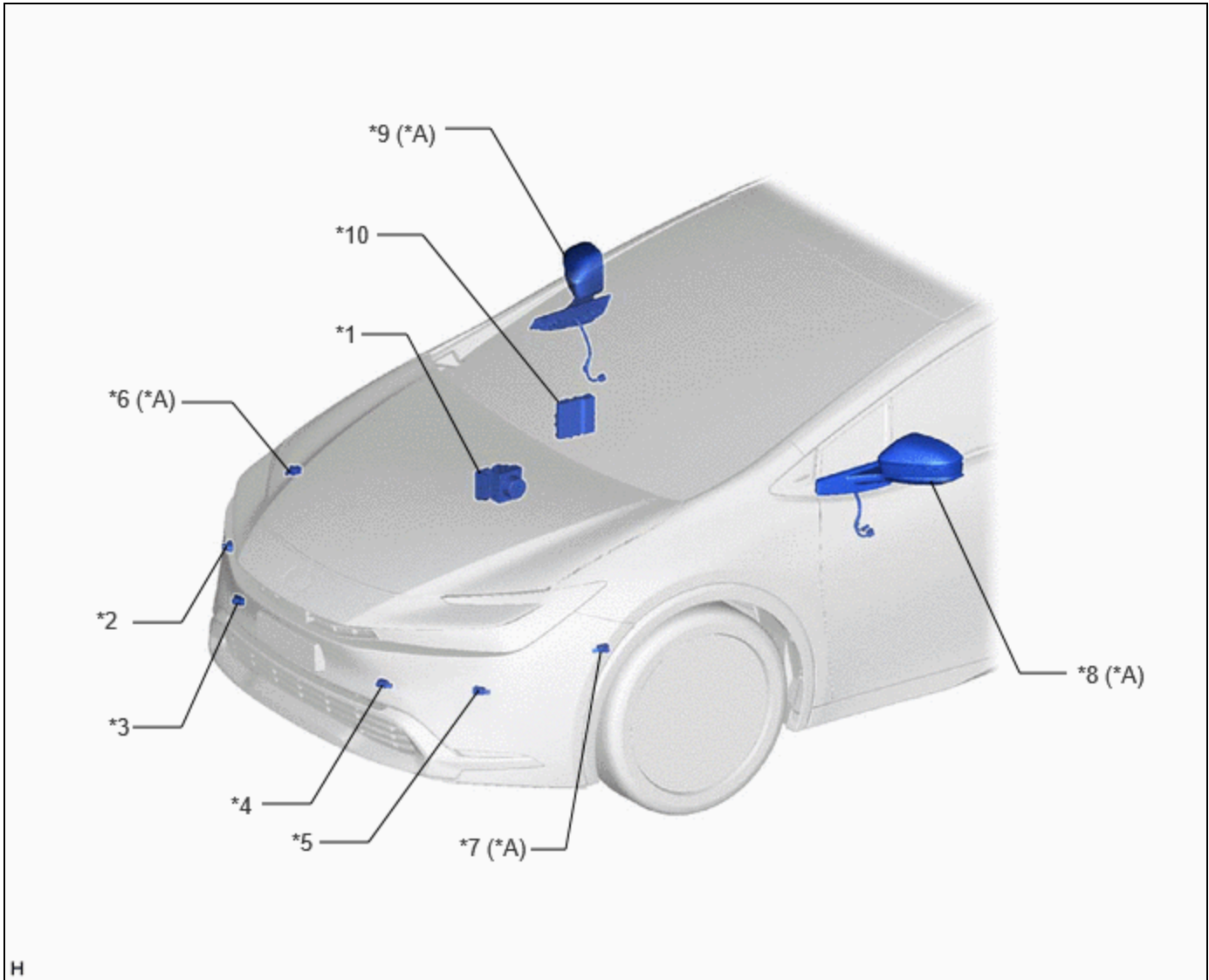


Last Modified: 12-04-2024	6.11:8.1.0	Doc ID: RM1000000028V9T
Model Year Start: 2023	Model: Prius Prime	Prod Date Range: [12/2022 -]
Title: PARK ASSIST / MONITORING: PARKING SUPPORT BRAKE SYSTEM: PARTS LOCATION; 2023 - 2024 MY Prius Prius Prime [12/2022 -]		

PARTS LOCATION

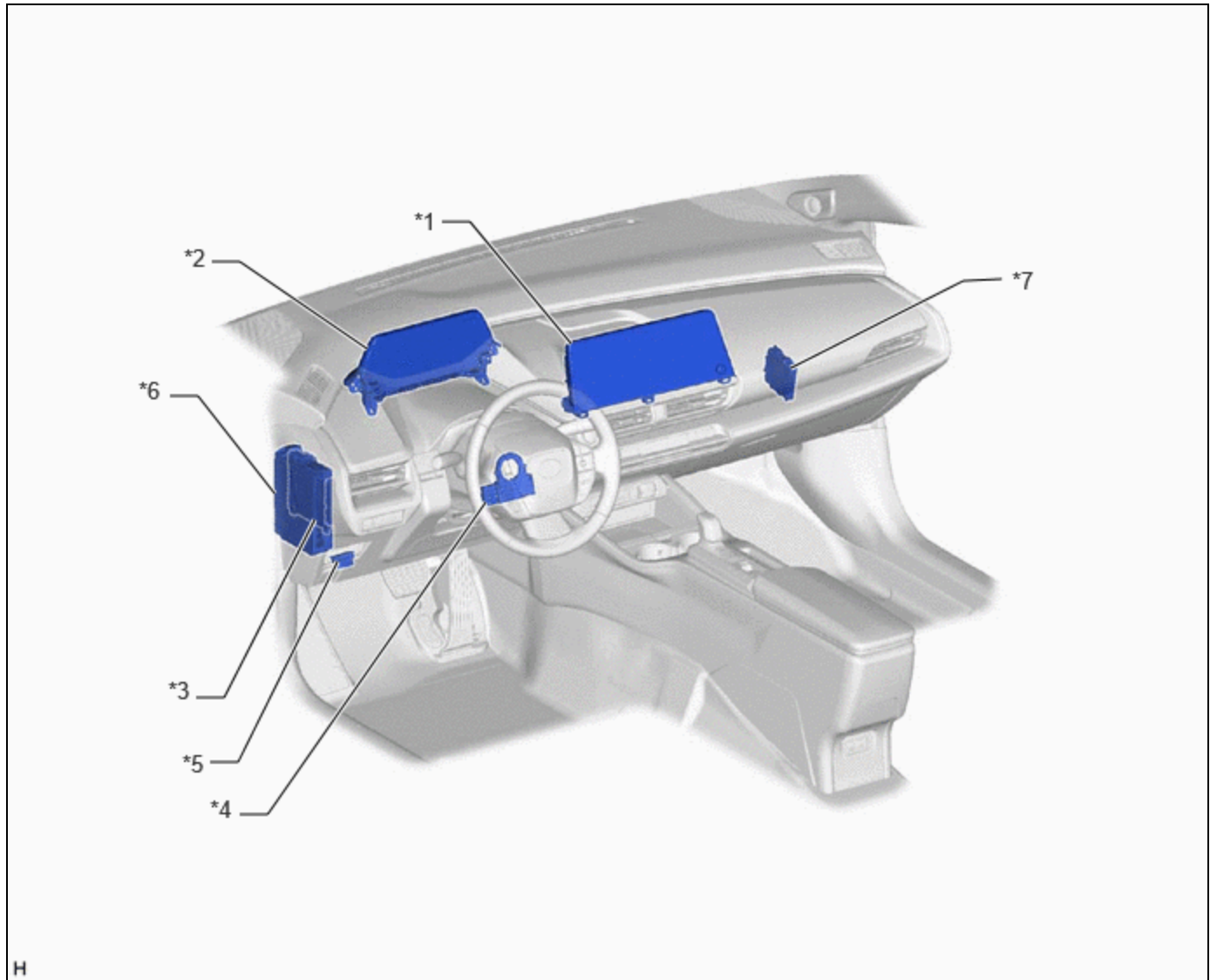
ILLUSTRATION



*A	w/ Advanced Park	-	-
*1	BRAKE ACTUATOR ASSEMBLY - NO. 2 SKID CONTROL ECU	*2	FRONT CORNER ULTRASONIC SENSOR RH
*3	FRONT CENTER ULTRASONIC SENSOR RH	*4	FRONT CENTER ULTRASONIC SENSOR LH
*5	FRONT CORNER ULTRASONIC SENSOR LH	*6	FRONT SIDE ULTRASONIC SENSOR RH
*7	FRONT SIDE ULTRASONIC SENSOR LH	*8	OUTER REAR VIEW MIRROR ASSEMBLY LH - OUTER MIRROR RETRACTOR LH

			<ul style="list-style-type: none"> - SIDE TELEVISION CAMERA ASSEMBLY LH - PARKING ASSIST LIGHT LH
*9	OUTER REAR VIEW MIRROR ASSEMBLY RH <ul style="list-style-type: none"> - OUTER MIRROR RETRACTOR RH - SIDE TELEVISION CAMERA ASSEMBLY RH - PARKING ASSIST LIGHT RH 	*10	HYBRID VEHICLE CONTROL ECU

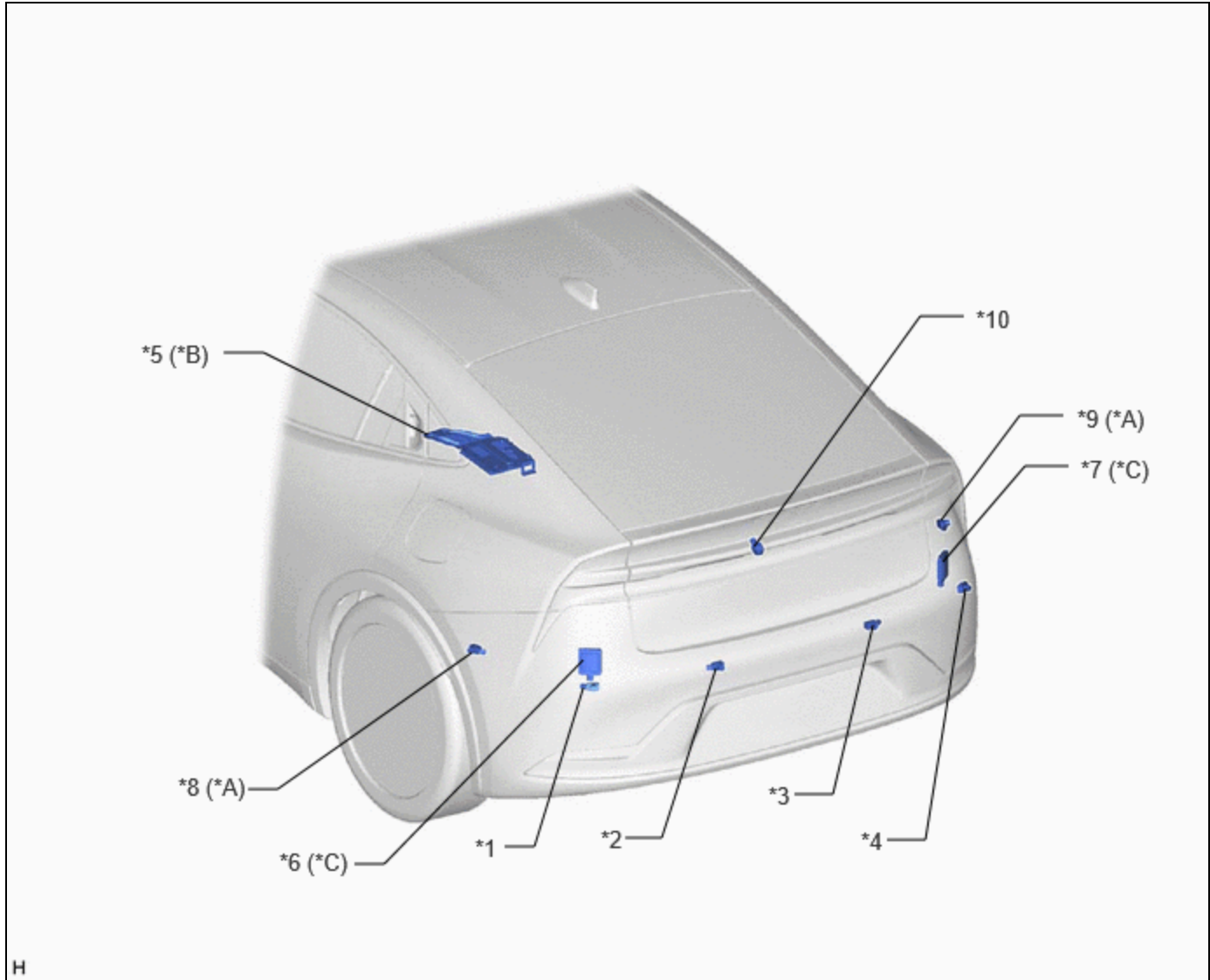
ILLUSTRATION



*1	RADIO AND DISPLAY RECEIVER ASSEMBLY	*2	COMBINATION METER ASSEMBLY <ul style="list-style-type: none"> - MULTI-INFORMATION DISPLAY - DRIVING ASSIST INFORMATION INDICATOR - CLEARANCE SONAR OFF INDICATOR
*3	MAIN BODY ECU (MULTIPLEX NETWORK BODY ECU)	*4	STEERING SENSOR

*5	DLC3	*6	POWER DISTRIBUTION BOX ASSEMBLY - ECU-IGR NO.1 FUSE
*7	CLEARANCE WARNING ECU ASSEMBLY	-	-

ILLUSTRATION



H

*A	w/ Advanced Park	*B	w/ Panoramic View Monitor System
*C	w/ Rear Cross Traffic Alert System	-	-
*1	REAR CORNER ULTRASONIC SENSOR LH	*2	REAR CENTER ULTRASONIC SENSOR LH
*3	REAR CENTER ULTRASONIC SENSOR RH	*4	REAR CORNER ULTRASONIC SENSOR RH
*5	PARKING ASSIST ECU	*6	BLIND SPOT MONITOR SENSOR LH (B)
*7	BLIND SPOT MONITOR SENSOR RH (A)	*8	REAR SIDE ULTRASONIC SENSOR LH
*9	REAR SIDE ULTRASONIC SENSOR RH	*10	REAR TELEVISION CAMERA ASSEMBLY

