

<b>Last Modified:</b> 12-04-2024	6.11:8.1.0	<b>Doc ID:</b> RM100000028Q29
<b>Model Year Start:</b> 2023	<b>Model:</b> Prius Prime	<b>Prod Date Range:</b> [12/2022 - ]
<b>Title:</b> PARK ASSIST / MONITORING: CLEARANCE WARNING ECU: REMOVAL; 2023 - 2024 MY Prius Prius Prime [12/2022 - ]		

## REMOVAL

### CAUTION / NOTICE / HINT

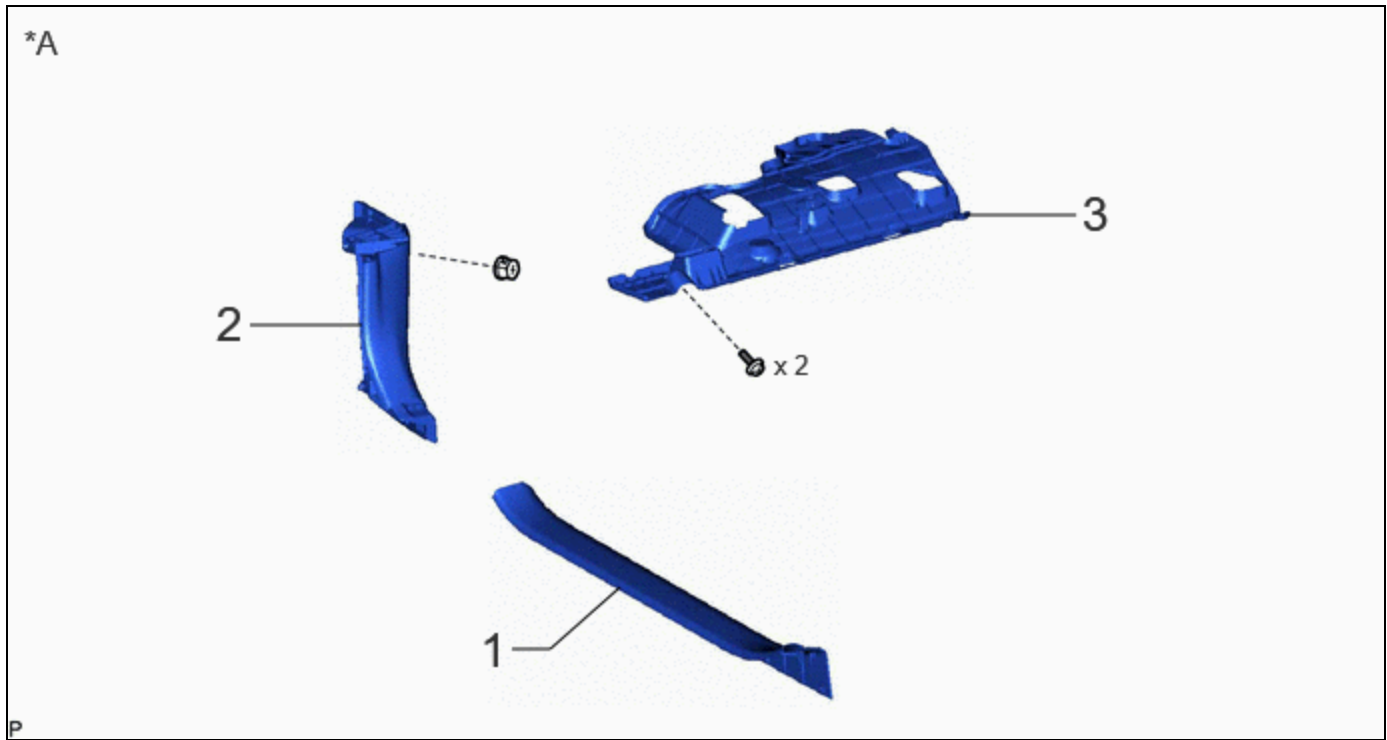
The necessary procedures (adjustment, calibration, initialization or registration) that must be performed after parts are removed and installed, or replaced during clearance warning ECU assembly removal/installation are shown below.




#### **Necessary Procedures After Parts Removed/Installed/Replaced**

REPLACED PART OR PERFORMED PROCEDURE	NECESSARY PROCEDURES	EFFECT/INOPERATIVE FUNCTION WHEN NECESSARY PROCEDURES ARE NOT PERFORMED	LINK
Clearance warning ECU assembly	Update ECU security key	Vehicle Control History (RoB) are stored	<a href="#">INFO</a>
	<b>w/ Parking Support Brake System:</b> <ul style="list-style-type: none"> <li>• Measurement of Ultrasonic sensor detection angle</li> <li>• Bumper type registration</li> <li>• Ultrasonic sensor detection angle registration</li> </ul>	<ul style="list-style-type: none"> <li>• Intuitive Parking Assist Sensor System</li> <li>• Parking Support Brake System</li> </ul>	<a href="#">INFO</a>
	<b>w/o Parking Support Brake System:</b> <ul style="list-style-type: none"> <li>• Bumper type registration</li> <li>• Initialization of ultrasonic sensors</li> </ul>	Intuitive Parking Assist Sensor System	<a href="#">INFO</a>
		Advanced Park	<a href="#">INFO</a>

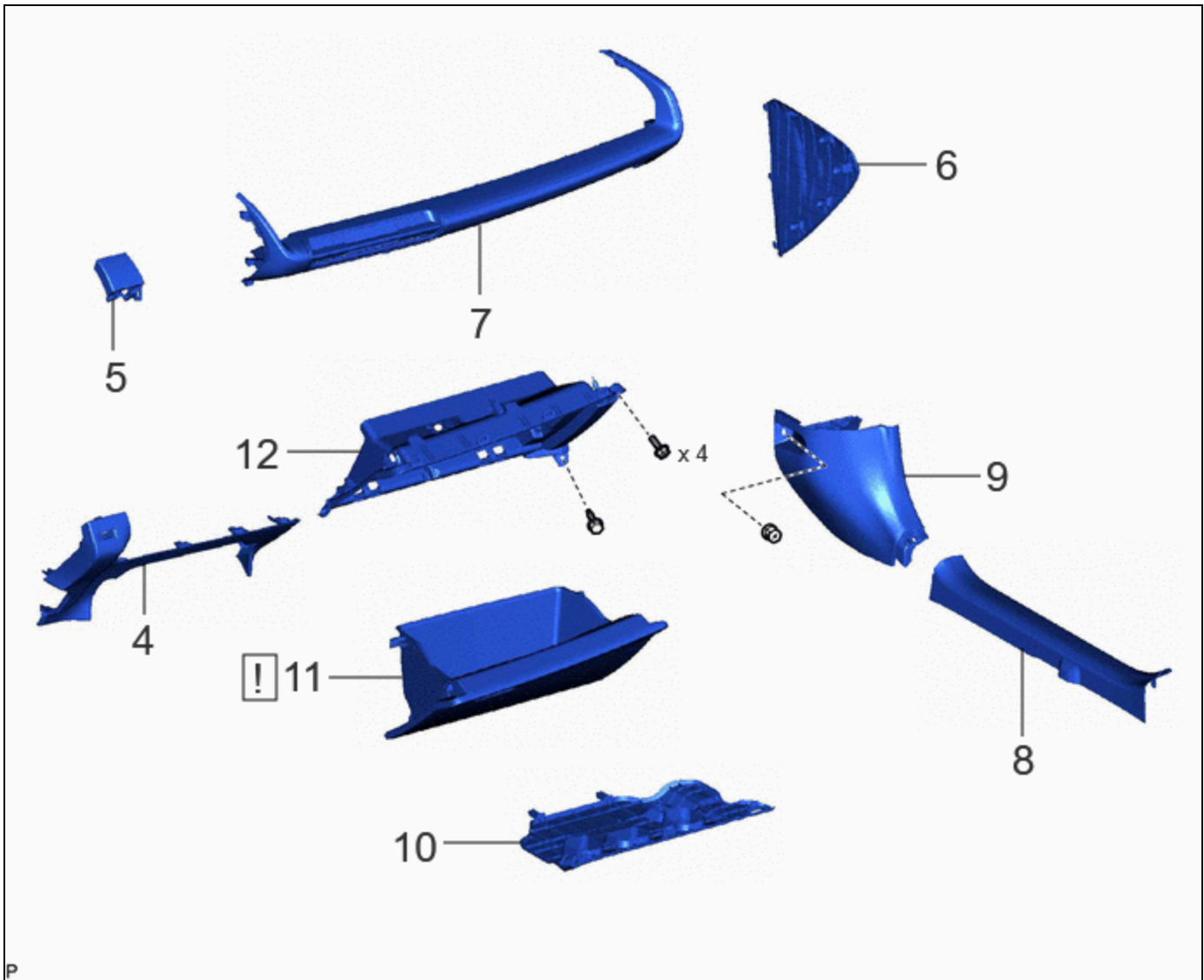
### CAUTION / NOTICE / HINT




#### **COMPONENTS (REMOVAL)**

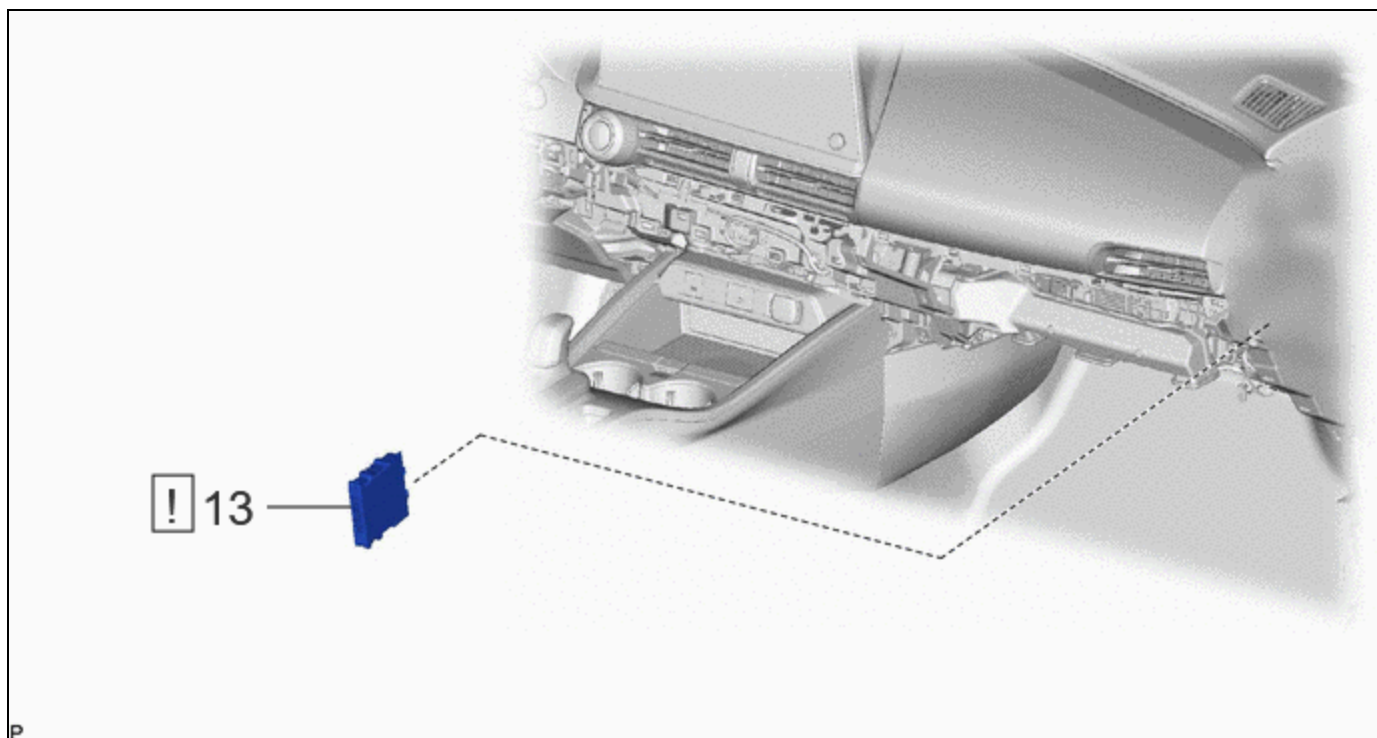





	PROCEDURE	PART NAME CODE			
1	FRONT DOOR SCUFF PLATE LH	67914	-	-	-
2	COWL SIDE TRIM BOARD LH	62112	-	-	-
3	NO. 1 INSTRUMENT PANEL UNDER COVER SUB-ASSEMBLY	55606	-	-	-

*A	w/ Knee Airbag	-	-
----	----------------	---	---



PROCEDURE		PART NAME CODE			
4	LOWER CENTER INSTRUMENT PANEL FINISH PANEL	55434B	-	-	-
5	LOWER CENTER INSTRUMENT CLUSTER FINISH PANEL SUB-ASSEMBLY	55406B	-	-	-
6	INSTRUMENT SIDE PANEL RH	55317A	-	-	-
7	NO. 2 INSTRUMENT PANEL GARNISH SUB-ASSEMBLY WITH AIR CONDITIONING CONTROL ASSEMBLY	-	-	-	-
8	FRONT DOOR SCUFF PLATE RH	67913	-	-	-
9	COWL SIDE TRIM BOARD RH	62111C	-	-	-
10	NO. 2 INSTRUMENT PANEL UNDER COVER SUB-ASSEMBLY	55607	-	-	-
11	GLOVE COMPARTMENT DOOR ASSEMBLY	55550	<a href="#">INFO</a>	-	-
12	LOWER INSTRUMENT PANEL SUB-ASSEMBLY	55303B	-	-	-



PROCEDURE		PART NAME CODE			
13	CLEARANCE WARNING ECU ASSEMBLY	89340A	<a href="#">INFO</a>	-	-

## PROCEDURE

### 1. REMOVE FRONT DOOR SCUFF PLATE LH (w/ Knee Airbag)

Click here [INFO](#)

### 2. REMOVE COWL SIDE TRIM BOARD LH (w/ Knee Airbag)

Click here [INFO](#)

### 3. REMOVE NO. 1 INSTRUMENT PANEL UNDER COVER SUB-ASSEMBLY (w/ Knee Airbag)

Click here [INFO](#)

### 4. REMOVE LOWER CENTER INSTRUMENT PANEL FINISH PANEL

Click here [INFO](#)

### 5. REMOVE LOWER CENTER INSTRUMENT CLUSTER FINISH PANEL SUB-ASSEMBLY

Click here [INFO](#)

### 6. REMOVE INSTRUMENT SIDE PANEL RH

Click here [INFO](#)

### 7. REMOVE NO. 2 INSTRUMENT PANEL GARNISH SUB-ASSEMBLY WITH AIR CONDITIONING CONTROL ASSEMBLY

Click here [INFO](#)

### 8. REMOVE FRONT DOOR SCUFF PLATE RH

(a) Use the same procedure as for the LH side.

Click here [INFO](#)

### 9. REMOVE COWL SIDE TRIM BOARD RH


(a) Use the same procedure as for the LH side.

Click here [INFO](#)

### 10. REMOVE NO. 2 INSTRUMENT PANEL UNDER COVER SUB-ASSEMBLY

Click here [INFO](#)

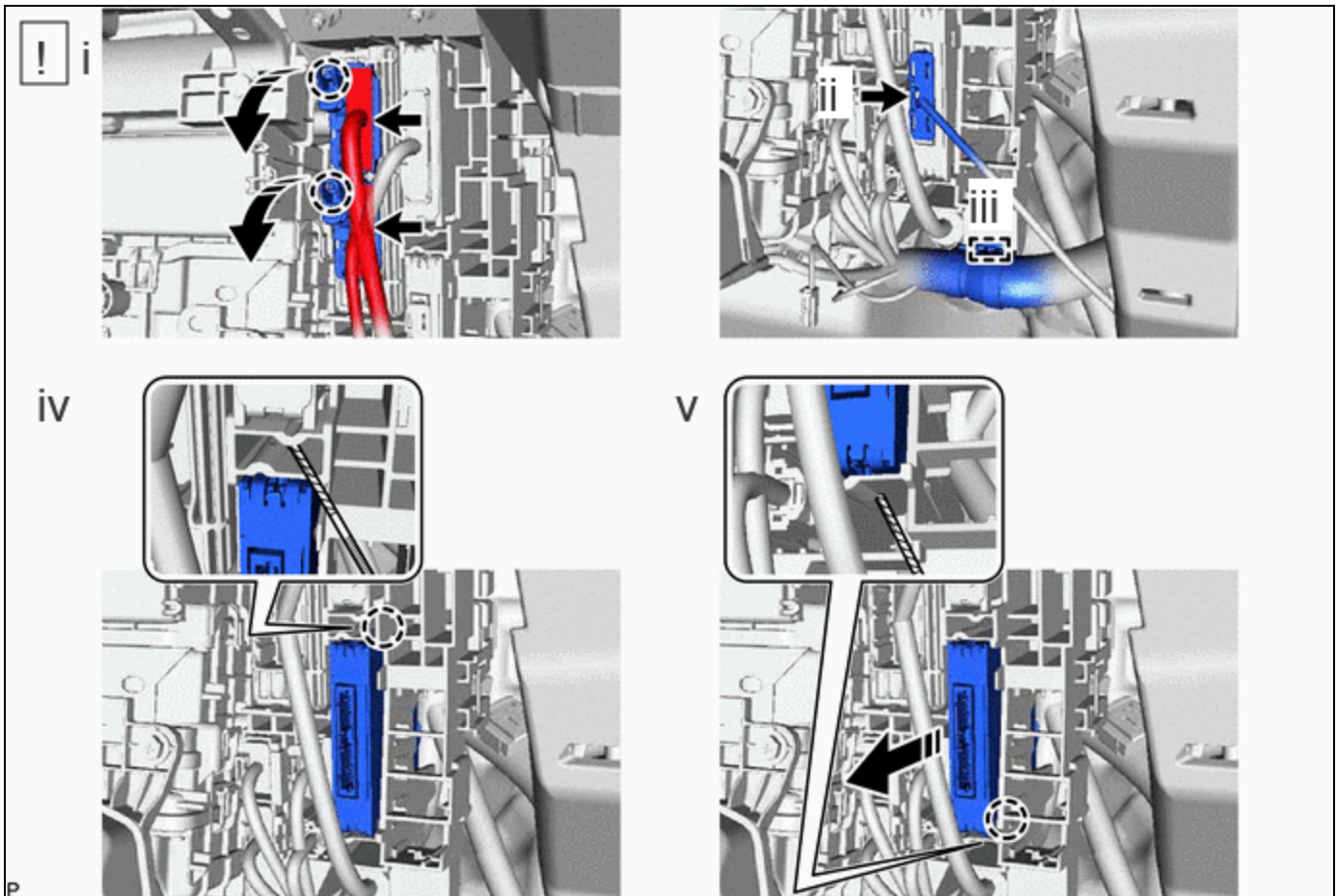
### 11. REMOVE GLOVE COMPARTMENT DOOR ASSEMBLY


	Click here <a href="#">INFO</a>
---	---------------------------------

### 12. REMOVE LOWER INSTRUMENT PANEL SUB-ASSEMBLY

Click here [INFO](#)

### 13. REMOVE CLEARANCE WARNING ECU ASSEMBLY



	Remove in this Direction	-	-
---	--------------------------	---	---

- (1) Disengage the 2 claws and pull down the 2 lock levers to disconnect the 2 connectors as shown in the illustration.
- (2) Disconnect the connector.
- (3) Disengage the clamp.
- (4) Using a screwdriver, disengage the claw as shown in the illustration.
- (5) Using a screwdriver, disengage the claw and remove the clearance warning ECU assembly as shown in the illustration.

