

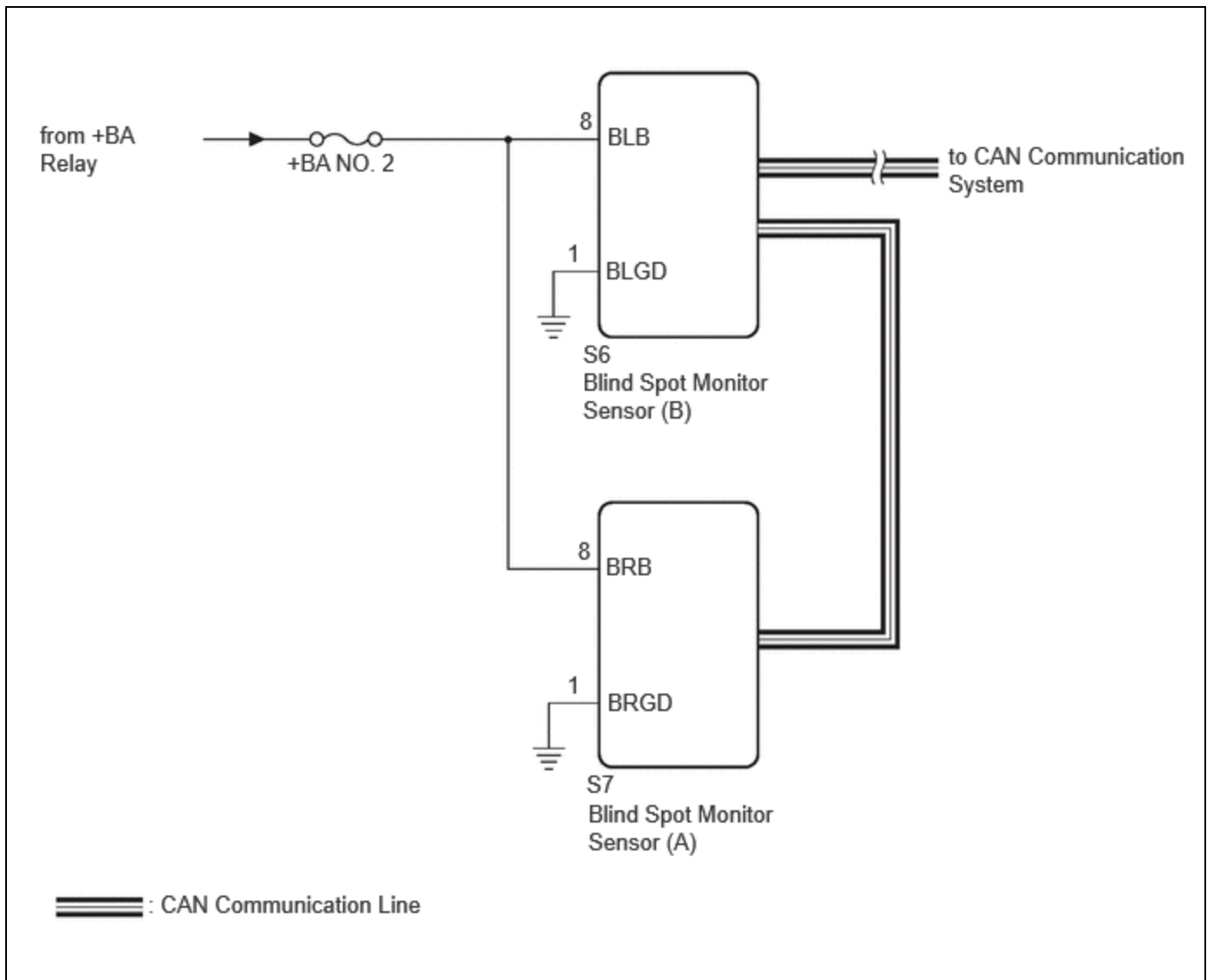
Last Modified: 12-04-2024	6.11:8.1.0	Doc ID: RM100000029DUG
Model Year Start: 2023	Model: Prius Prime	Prod Date Range: [12/2022 -]
Title: PARK ASSIST / MONITORING: BLIND SPOT MONITOR SYSTEM: Power Source Circuit; 2023 - 2024 MY Prius Prius Prime [12/2022 -]		

Power Source Circuit

DESCRIPTION

This circuit provides power to operate the blind spot monitor sensor.

WIRING DIAGRAM



CAUTION / NOTICE / HINT

NOTICE:

Inspect the fuses for circuits related to this system before performing the following procedure.

PROCEDURE

1. CHECK HARNESS AND CONNECTOR (BLIND SPOT MONITOR SENSOR (B) POWER SOURCE)

- (a) Disconnect the S6 blind spot monitor sensor (B) connector.
- (b) Measure the voltage according to the value(s) in the table below.

Standard Voltage:



[Click Location & Routing\(S6\).](#)

[Click Connector\(S6\).](#)

TESTER CONNECTION	SWITCH CONDITION	SPECIFIED CONDITION
S6-8 (BLB) - Body ground	Ignition switch ON	9 to 16 V
S6-8 (BLB) - Body ground	Ignition switch off	Below 1 V

NG ► REPAIR OR REPLACE HARNESS OR CONNECTOR

OK



2. CHECK HARNESS AND CONNECTOR (BLIND SPOT MONITOR SENSOR (B) - BODY GROUND)

- (a) Measure the resistance according to the value(s) in the table below.

Standard Resistance:



[Click Location & Routing\(S6\).](#)

[Click Connector\(S6\).](#)

TESTER CONNECTION	CONDITION	SPECIFIED CONDITION
S6-1 (BLGD) - Body ground	Always	Below 1 Ω

NG ► REPAIR OR REPLACE HARNESS OR CONNECTOR

OK



3.

CHECK HARNESS AND CONNECTOR (BLIND SPOT MONITOR SENSOR (A) POWER SOURCE)

- (a) Disconnect the S7 blind spot monitor sensor (A) connector.
- (b) Measure the voltage according to the value(s) in the table below.

Standard Voltage:


[Click Location & Routing\(S7\).](#)
[Click Connector\(S7\).](#)

TESTER CONNECTION	SWITCH CONDITION	SPECIFIED CONDITION
S7-8 (BRB) - Body ground	Ignition switch ON	9 to 16 V
S7-8 (BRB) - Body ground	Ignition switch off	Below 1 V

NG ▶ REPAIR OR REPLACE HARNESS OR CONNECTOR

OK



4.

CHECK HARNESS AND CONNECTOR (BLIND SPOT MONITOR SENSOR (A) - BODY GROUND)

- (a) Measure the resistance according to the value(s) in the table below.

Standard Resistance:


[Click Location & Routing\(S7\).](#)
[Click Connector\(S7\).](#)

TESTER CONNECTION	CONDITION	SPECIFIED CONDITION
S7-1 (BRGD) - Body ground	Always	Below 1 Ω

OK ▶ PROCEED TO NEXT SUSPECTED AREA SHOWN IN
 PROBLEM SYMPTOMS TABLE [INFO](#)
NG ▶ REPAIR OR REPLACE HARNESS OR CONNECTOR
