

Last Modified: 12-04-2024	6.11:8.1.0	Doc ID: RM100000029DV2
Model Year Start: 2023	Model: Prius Prime	Prod Date Range: [12/2022 -]
Title: PARK ASSIST / MONITORING: BLIND SPOT MONITOR SYSTEM: C1AB412; Outer Mirror Indicator (Module "B" Side) Circuit Short to Battery; 2023 - 2024 MY Prius Prius Prime [12/2022 -]		

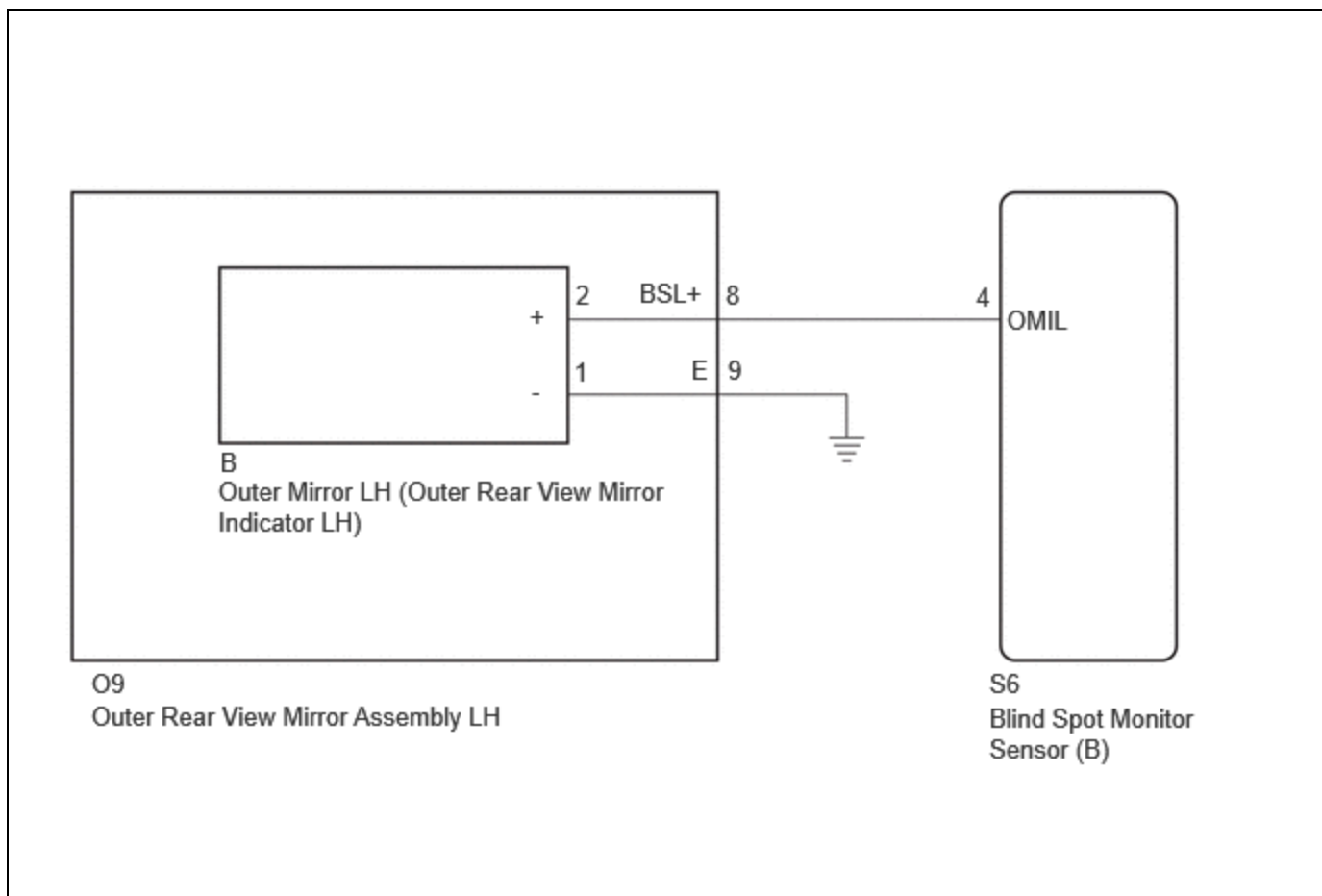
DTC	C1AB412	Outer Mirror Indicator (Module "B" Side) Circuit Short to Battery
------------	----------------	--

DESCRIPTION

This DTC is stored when the blind spot monitor sensor (B) detects a short to +B in the outer rear view mirror indicator LH.

DTC NO.	DETECTION ITEM	DTC DETECTION CONDITION	TROUBLE AREA	DTC OUTPUT FROM	PRIORITY
C1AB412	Outer Mirror Indicator (Module "B" Side) Circuit Short to Battery	<p>Both of the following conditions are met:</p> <ul style="list-style-type: none"> The blind spot monitor system is on The blind spot monitor sensor is not sending voltage to the indicator but the indicator receives voltage above a specified level for a specified period of time 	<ul style="list-style-type: none"> Outer mirror LH (outer rear view mirror indicator LH) Outer rear view mirror assembly LH Harness or connector Blind spot monitor sensor (B) 	Blind Spot Monitor "B"	A

WIRING DIAGRAM



CAUTION / NOTICE / HINT

NOTICE:

- When checking for DTCs, make sure that the blind spot monitor system is turned on.
- If the blind spot monitor sensor is replaced, write the ECU software.

Click here [INFO](#)

- After replacing the blind spot monitor sensor, be sure to adjust the optical axis of the blind spot monitor sensor and delete the vehicle control history (RoB) of each system.

HINT:

The optical axis adjustment of the blind spot monitor sensor is performed by either "Target Adjustment (Triangle Target)", "Driving Adjustment" or "ECU data Save / Write".

- Driving Adjustment: [INFO](#)
- Target Adjustment (Triangle Target): [INFO](#)
- ECU data Save / Write: [INFO](#)

PROCEDURE

1. CHECK FOR DTC

(a) Check for DTCs.

Body Electrical > Blind Spot Monitor "B" > Trouble Codes

RESULT	PROCEED TO
C1AB412 is not output	A
C1AB412 is output	B

A ► **USE SIMULATION METHOD TO CHECK**

B



2.	CHECK HARNESS AND CONNECTOR (OUTER REAR VIEW MIRROR INDICATOR CIRCUIT)
-----------	---

Pre-procedure1

(a) Disconnect the S6 blind spot monitor sensor (B) connector.

Procedure1

(b) Measure the voltage according to the value(s) in the table below.

Standard Voltage:



[Click Location & Routing\(S6\)](#)

[Click Connector\(S6\)](#)

TESTER CONNECTION	SWITCH CONDITION	SPECIFIED CONDITION	RESULT
S6-4 (OMIL) - Body ground	Ignition switch ON	Below 1 V	V

Post-procedure1

(c) None

OK ► **REPLACE BLIND SPOT MONITOR SENSOR (B)** INFO

NG



3.	CHECK HARNESS AND CONNECTOR (OUTER REAR VIEW MIRROR INDICATOR CIRCUIT)
-----------	---

Pre-procedure1

(a) Disconnect the B outer mirror LH (outer rear view mirror indicator LH) connector.

Procedure1

(b) Measure the voltage according to the value(s) in the table below.

Standard Voltage:


[Click Location & Routing\(S6\).](#)
[Click Connector\(S6\).](#)

TESTER CONNECTION	SWITCH CONDITION	SPECIFIED CONDITION	RESULT
S6-4 (OMIL) - Body ground	Ignition switch ON	Below 1 V	V

Post-procedure1

(c) None

OK ► **REPLACE OUTER MIRROR LH (OUTER REAR VIEW MIRROR INDICATOR LH)**

NG

4.	CHECK HARNESS AND CONNECTOR (OUTER REAR VIEW MIRROR INDICATOR CIRCUIT)
-----------	---

Pre-procedure1

(a) Disconnect the O9 outer rear view mirror assembly LH connector.

Procedure1

(b) Measure the voltage according to the value(s) in the table below.

Standard Voltage:


[Click Location & Routing\(S6\).](#)
[Click Connector\(S6\).](#)

TESTER CONNECTION	SWITCH CONDITION	SPECIFIED CONDITION	RESULT
S6-4 (OMIL) - Body ground	Ignition switch ON	Below 1 V	V

Post-procedure1

(c) None

OK ► **REPLACE OUTER REAR VIEW MIRROR ASSEMBLY LH**

NG ► **REPAIR OR REPLACE HARNESS OR CONNECTOR**

