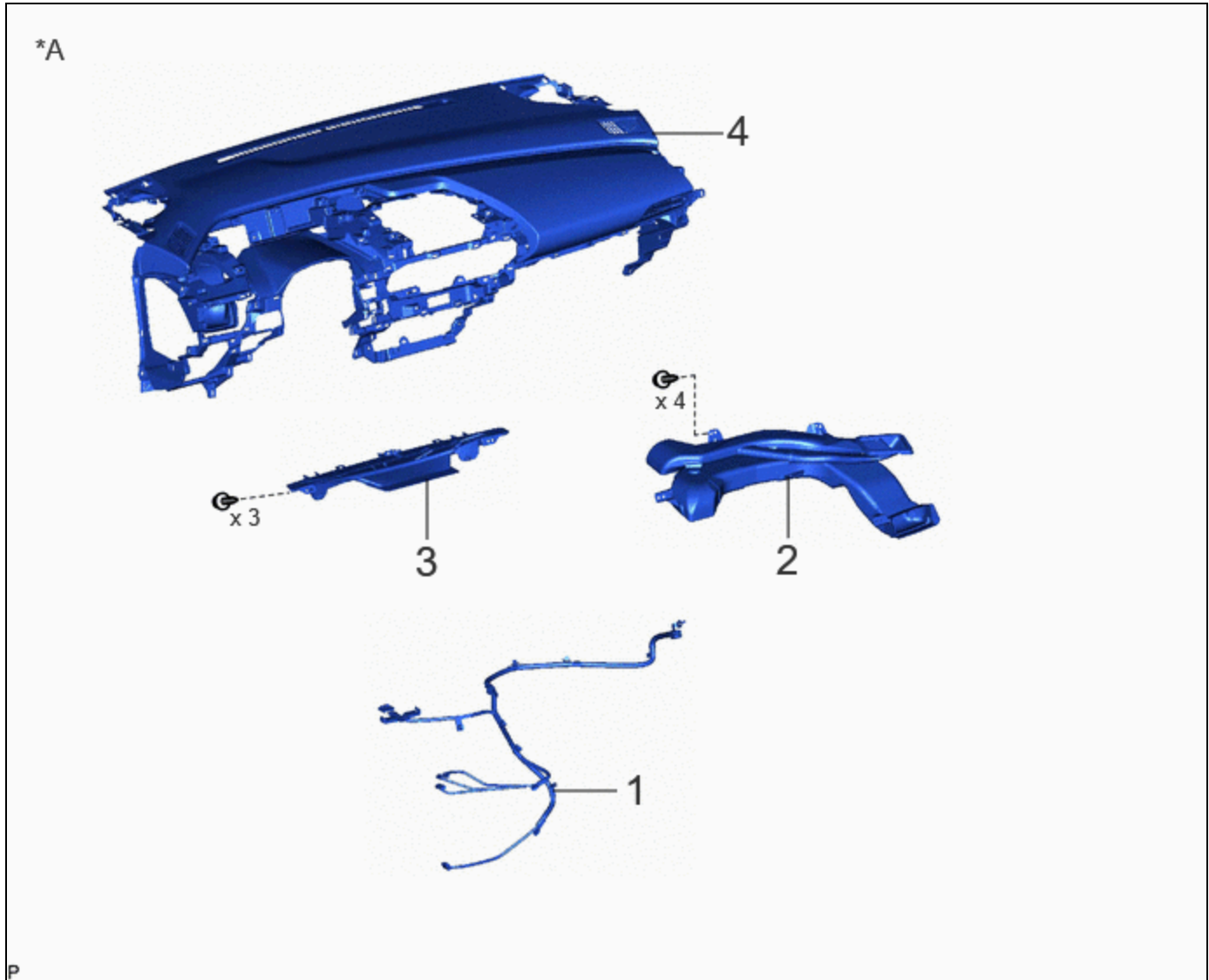





Last Modified: 12-04-2024	6.11:8.1.0	Doc ID: RM100000028U1K
Model Year Start: 2023	Model: Prius Prime	Prod Date Range: [12/2022 -]
Title: CELLULAR COMMUNICATION: TELEPHONE AND GPS ANTENNA CORDS: INSTALLATION; 2023 - 2024 MY Prius Prius Prime [12/2022 -]		




INSTALLATION

CAUTION / NOTICE / HINT

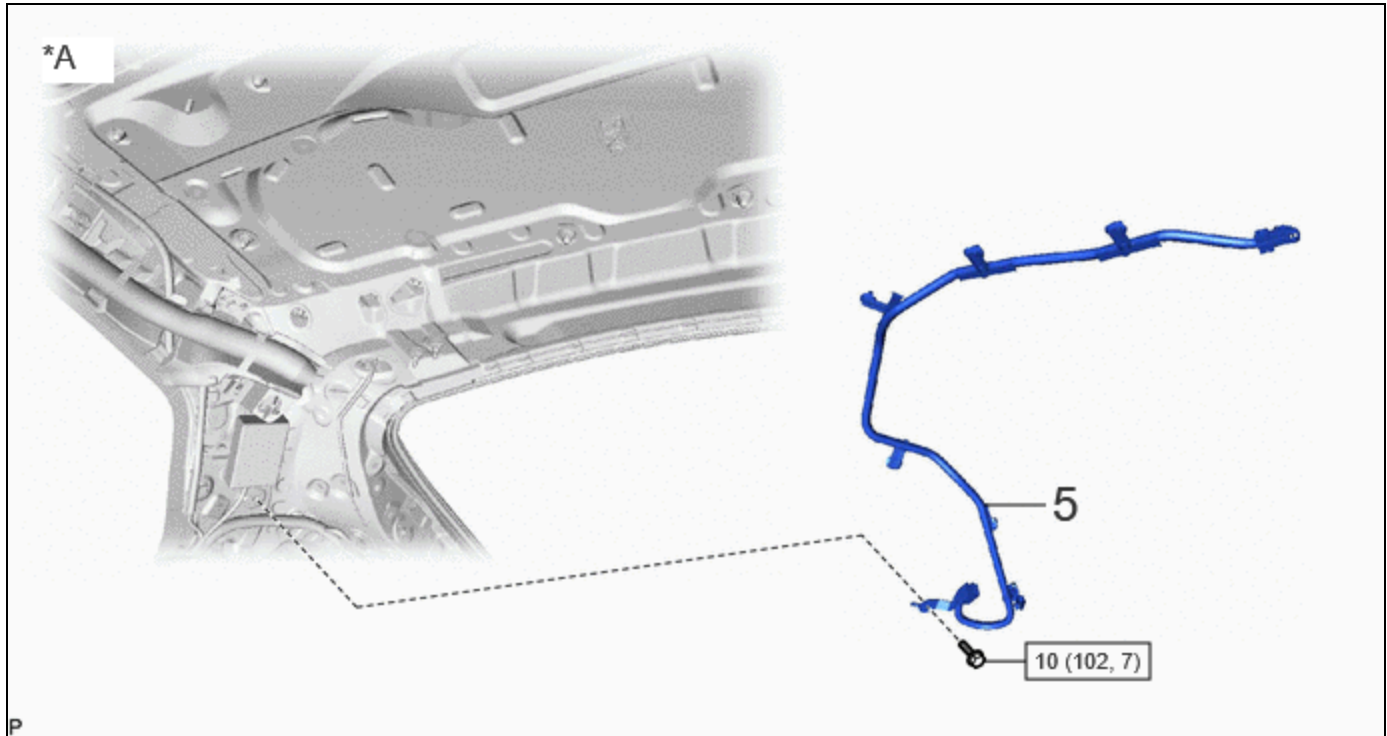
COMPONENTS (INSTALLATION)






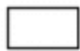
	PROCEDURE	PART NAME CODE			
1	ANTENNA CORD SUB-ASSEMBLY	86101T	-	-	-
2	NO. 2 HEATER TO REGISTER DUCT SUB-ASSEMBLY	55085	-	-	-

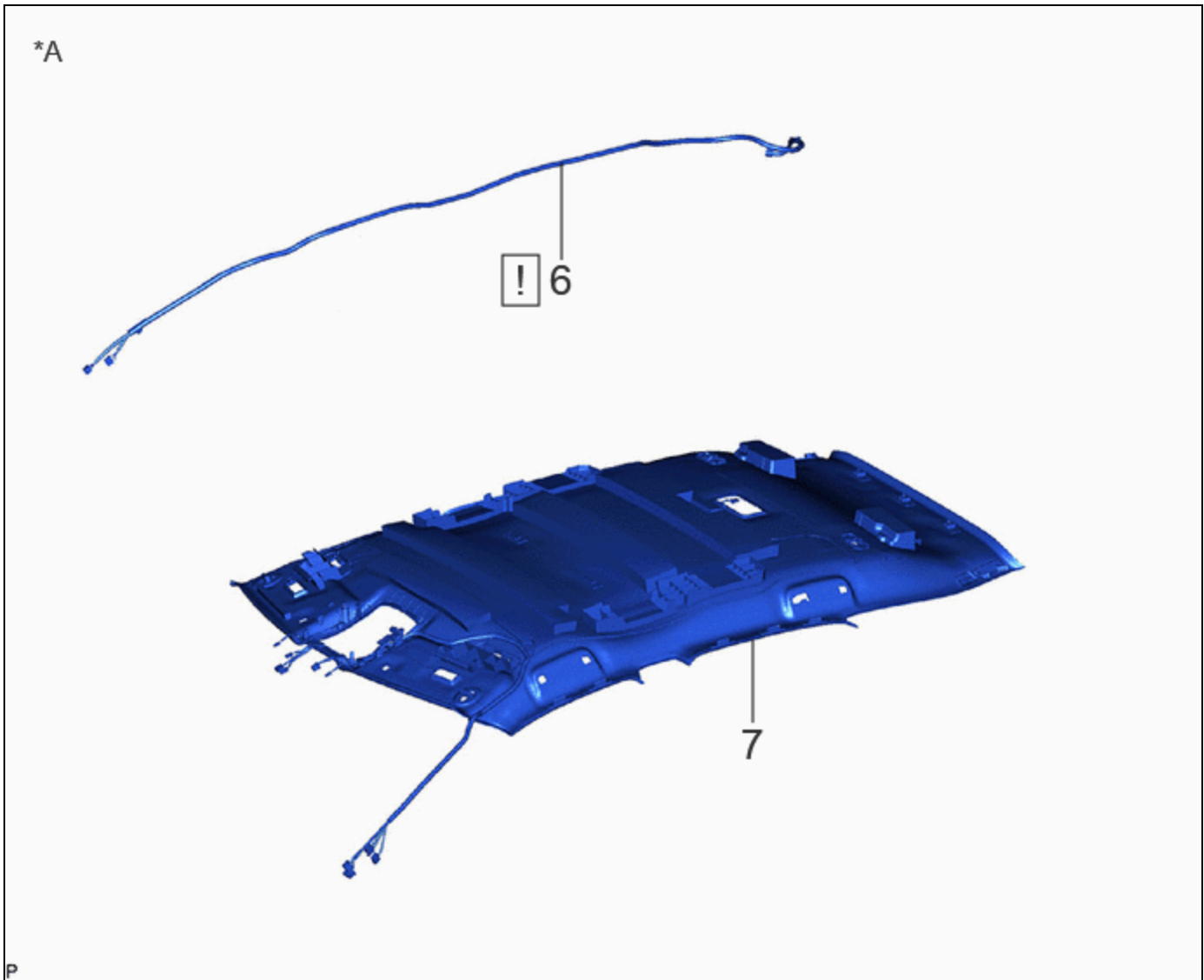
PROCEDURE		PART NAME CODE			
3	DEFROSTER NOZZLE ASSEMBLY	55950G	-	-	-
4	INSTRUMENT PANEL SAFETY PAD SUB-ASSEMBLY	-	-	-	-

*A	for Instrument Panel	-	-
----	----------------------	---	---



PROCEDURE		PART NAME CODE			
5	ANTENNA CORD SUB-ASSEMBLY	86101	-	-	-

*A	for Roof	-	-
	N*m (kgf*cm, ft.*lbf): Specified torque	-	-



	PROCEDURE	PART NAME CODE			
6	NO. 3 ANTENNA CORD SUB-ASSEMBLY	86101D	INFO	-	-
7	ROOF HEADLINING ASSEMBLY	-	-	-	-

*A	for Roof	-	-
----	----------	---	---

PROCEDURE

- 1. INSTALL ANTENNA CORD SUB-ASSEMBLY (for Instrument Panel)**
- 2. INSTALL NO. 2 HEATER TO REGISTER DUCT SUB-ASSEMBLY (for Instrument Panel)**
- 3. INSTALL DEFROSTER NOZZLE ASSEMBLY (for Instrument Panel)**
- 4. INSTALL INSTRUMENT PANEL SAFETY PAD SUB-ASSEMBLY (for Instrument Panel)**

Click here [INFO](#)

5. INSTALL ANTENNA CORD SUB-ASSEMBLY (for Roof)

Click here [INFO](#)

6. INSTALL NO. 3 ANTENNA CORD SUB-ASSEMBLY (for Roof)

	Click here INFO
---	---------------------------------

7. INSTALL ROOF HEADLINING ASSEMBLY (for Roof)

Click here [INFO](#)

