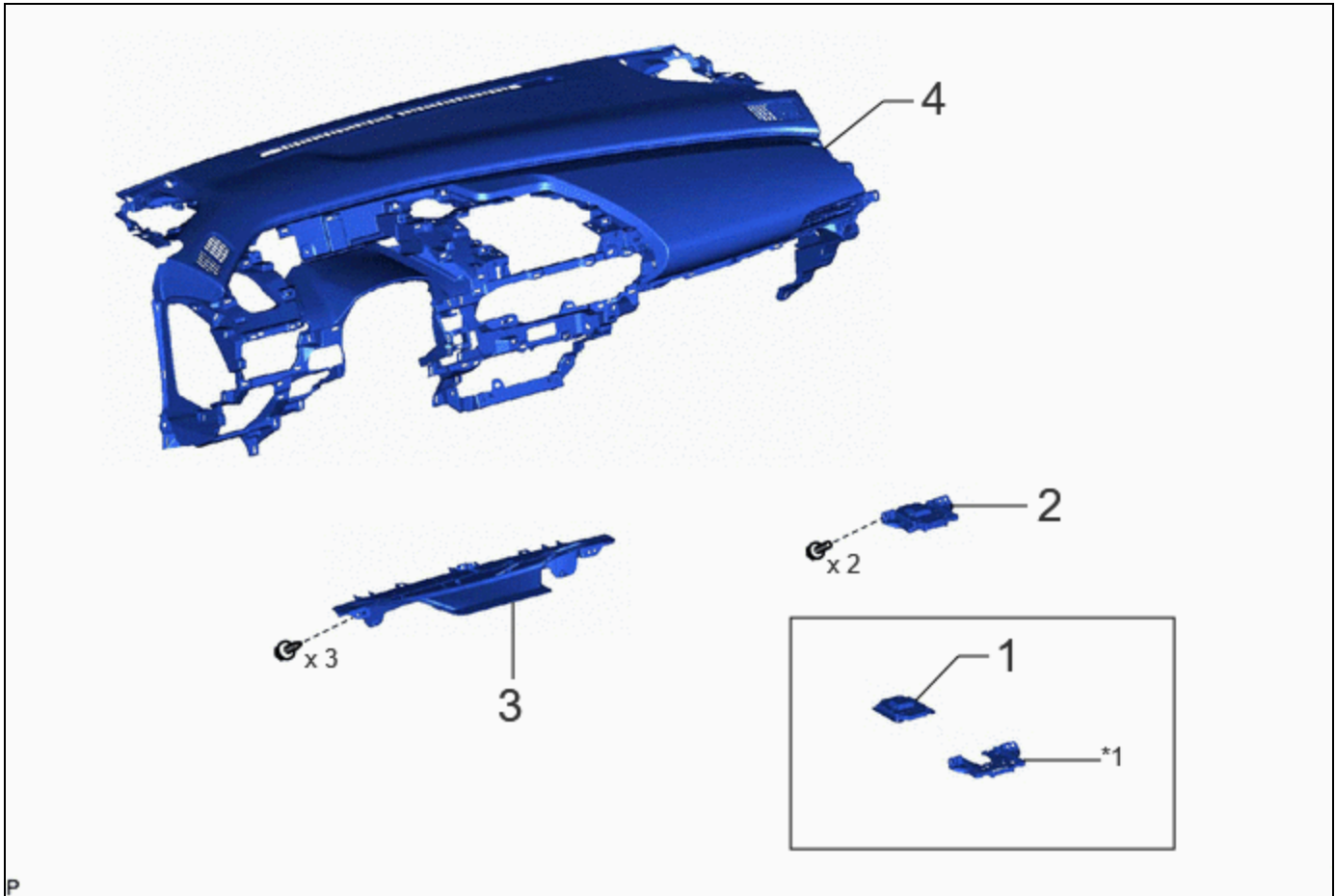


Last Modified: 12-04-2024	6.11:8.1.0	Doc ID: RM100000028U1I
Model Year Start: 2023	Model: Prius Prime	Prod Date Range: [12/2022 -]
Title: CELLULAR COMMUNICATION: TELEPHONE AND GPS ANTENNA (for Front Side): INSTALLATION; 2023 - 2024 MY Prius Prius Prime [12/2022 -]		

INSTALLATION

CAUTION / NOTICE / HINT

COMPONENTS (INSTALLATION)



	PROCEDURE	PART NAME CODE	!	📄	⚙️
1	TELEPHONE AND GPS ANTENNA ASSEMBLY	86860	-	-	-
2	TELEPHONE AND GPS ANTENNA ASSEMBLY WITH BRACKET	-	-	-	-
3	DEFROSTER NOZZLE ASSEMBLY	55950G	-	-	-
4	INSTRUMENT PANEL SAFETY PAD SUB-ASSEMBLY	-	-	-	-

*1	TELEPHONE AND GPS ANTENNA BRACKET	-	-
----	-----------------------------------	---	---

PROCEDURE

- 1. INSTALL TELEPHONE AND GPS ANTENNA ASSEMBLY**
- 2. INSTALL TELEPHONE AND GPS ANTENNA ASSEMBLY WITH BRACKET**
- 3. INSTALL DEFROSTER NOZZLE ASSEMBLY**
- 4. INSTALL INSTRUMENT PANEL SAFETY PAD SUB-ASSEMBLY**

Click here [INFO](#)

