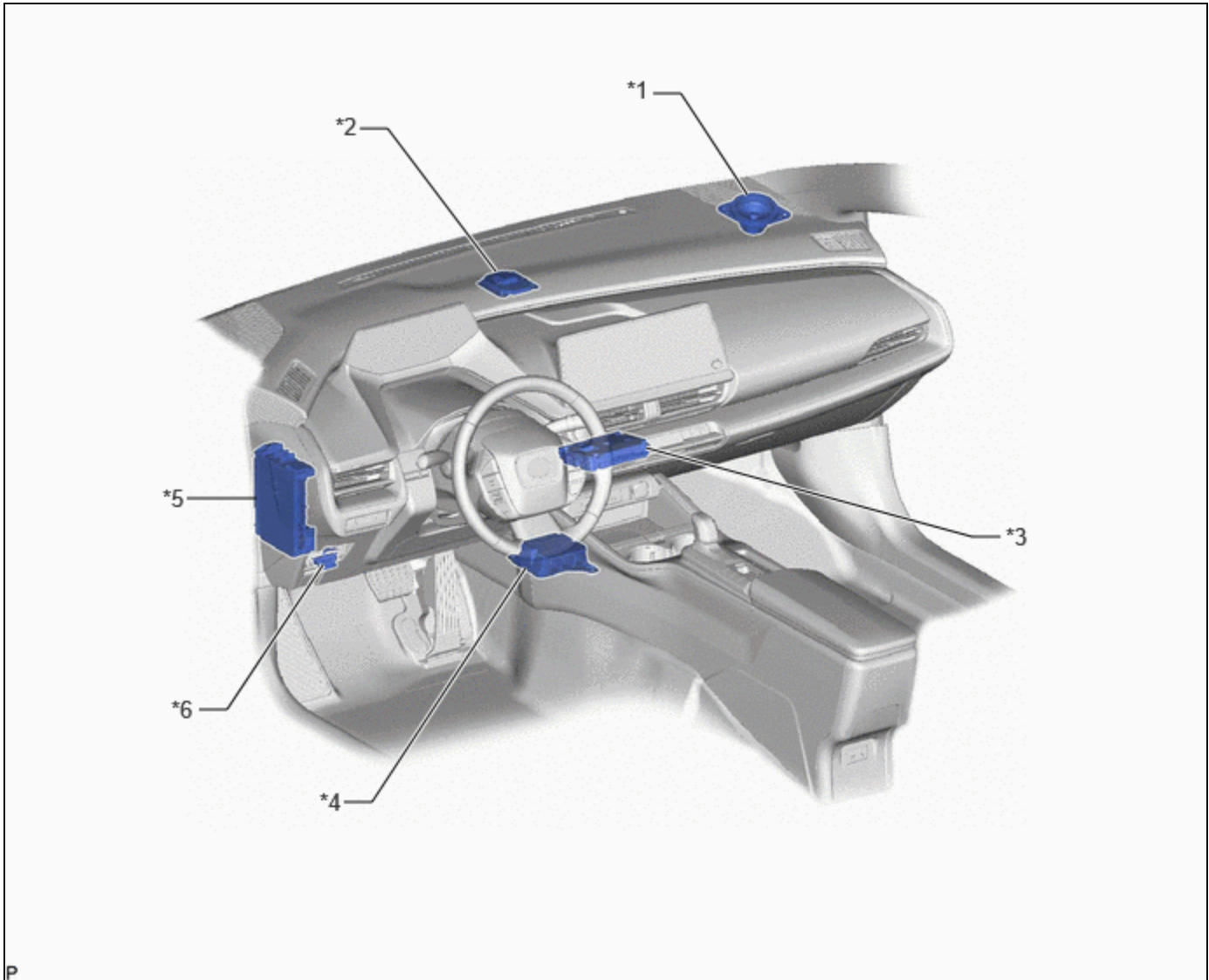


Last Modified: 12-04-2024	6.11:8.1.0	Doc ID: RM100000028U0G
Model Year Start: 2023	Model: Prius Prime	Prod Date Range: [12/2022 -]
Title: CELLULAR COMMUNICATION: SAFETY CONNECT SYSTEM: PARTS LOCATION; 2023 - 2024 MY Prius Prius Prime [12/2022 -]		

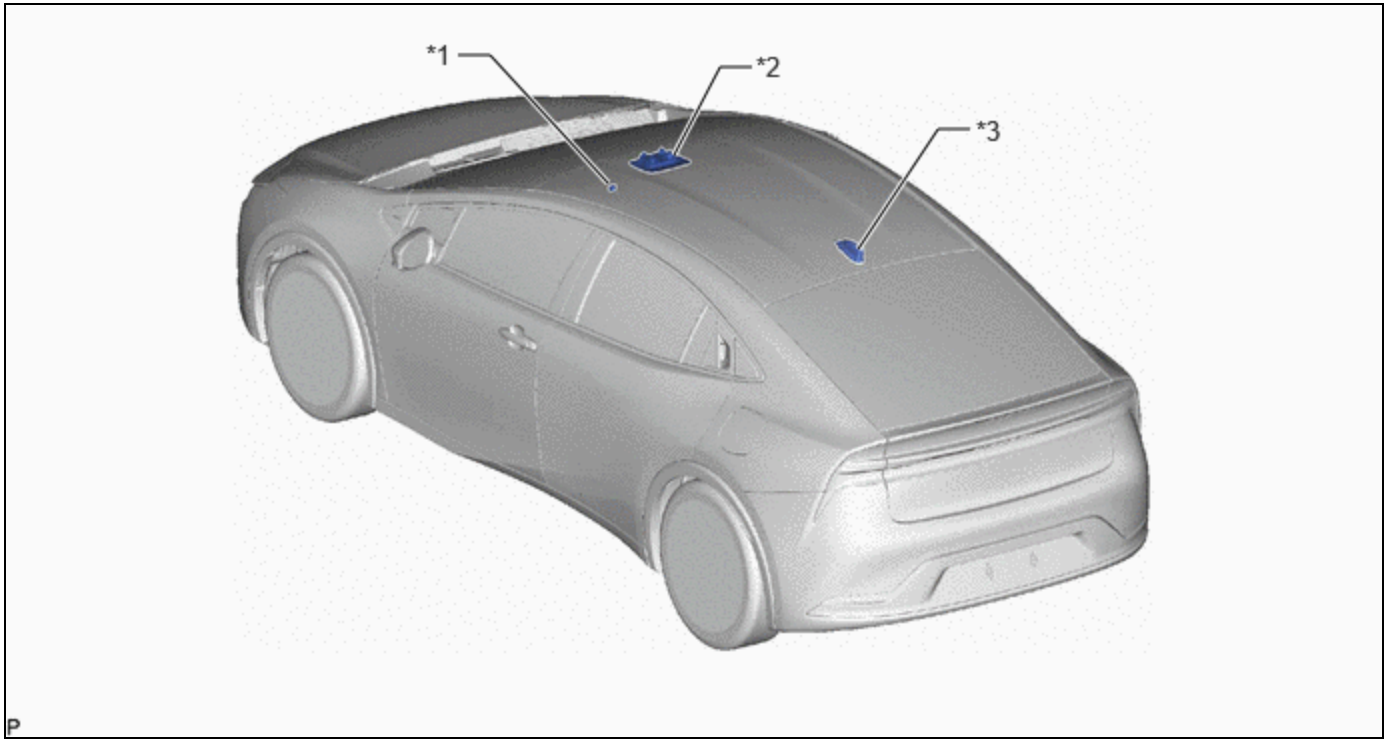
PARTS LOCATION

ILLUSTRATION



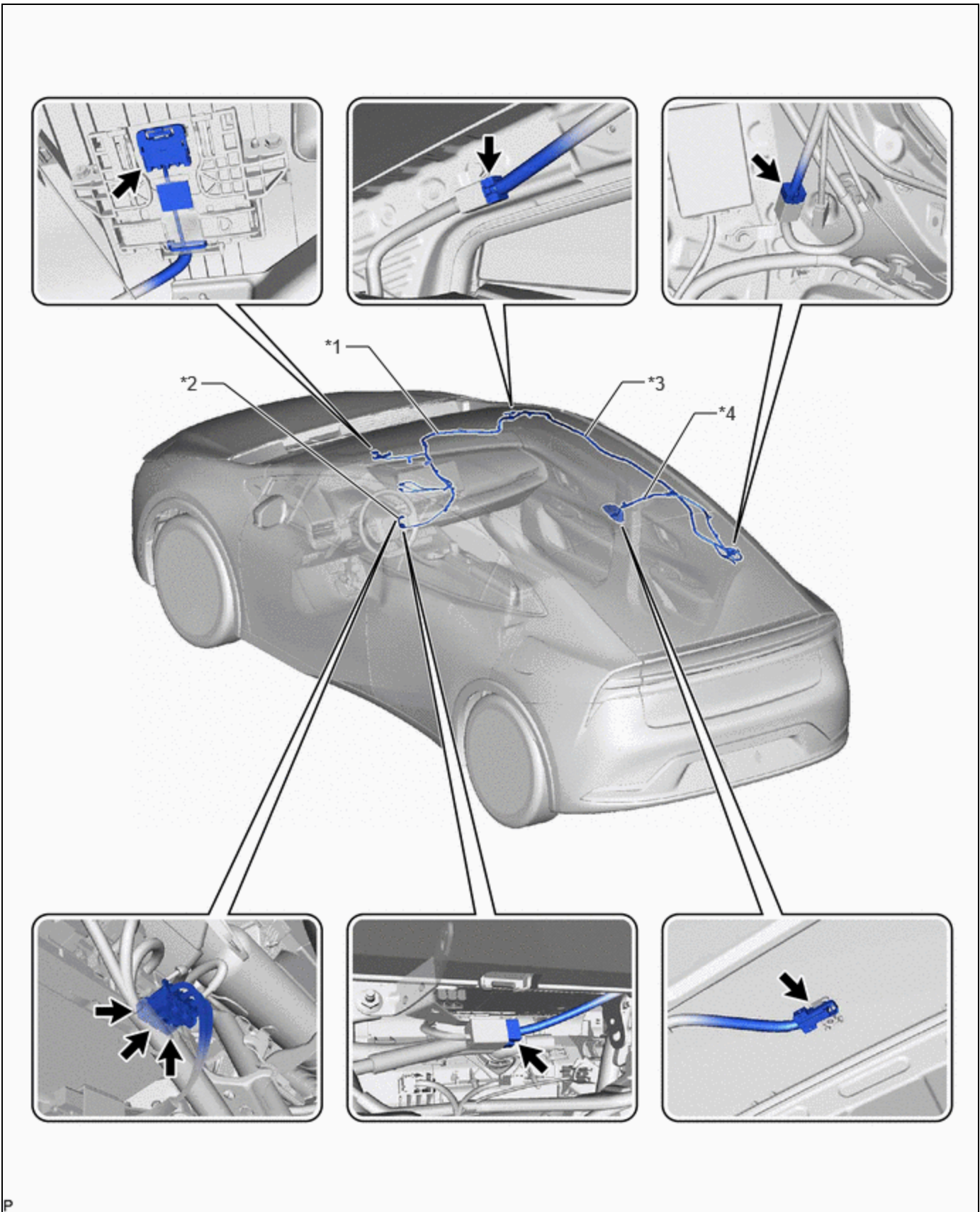
*1	FRONT NO. 3 SPEAKER ASSEMBLY (RH)	*2	TELEPHONE AND GPS ANTENNA (for Front Side) - Telephone Sub - GPS
*3	DCM (TELEMATICS TRANSCEIVER) - BUB (BACK-UP BATTERY)	*4	AIRBAG ECU ASSEMBLY
*5	POWER DISTRIBUTION BOX ASSEMBLY - DCM FUSE - ECU-IGR NO. 3 FUSE	*6	DLC3

ILLUSTRATION



*1	TELEPHONE MICROPHONE ASSEMBLY LH	*2	MAP LIGHT ASSEMBLY - MANUAL (SOS) SWITCH
*3	TELEPHONE AND GPS ANTENNA (for Roof Side) - Telephone Main	-	-

ILLUSTRATION



P

*1	TELEPHONE AND GPS ANTENNA CORD (ANTENNA CORD SUB-ASSEMBLY (for Type A))	*2	TELEPHONE AND GPS ANTENNA CORD (ANTENNA CORD SUB-ASSEMBLY (for Type B))
*3	TELEPHONE AND GPS ANTENNA CORD (NO. 3 ANTENNA CORD SUB-	*4	TELEPHONE AND GPS ANTENNA CORD (ANTENNA CORD SUB-ASSEMBLY (for

ASSEMBLY)

Type C))

