

Last Modified: 12-04-2024	6.11:8.1.0	Doc ID: RM100000028U14
Model Year Start: 2023	Model: Prius Prime	Prod Date Range: [12/2022 -]
Title: CELLULAR COMMUNICATION: SAFETY CONNECT SYSTEM: B157213; Microphone Circuit Open; 2023 - 2024 MY Prius Prius Prime [12/2022 -]		

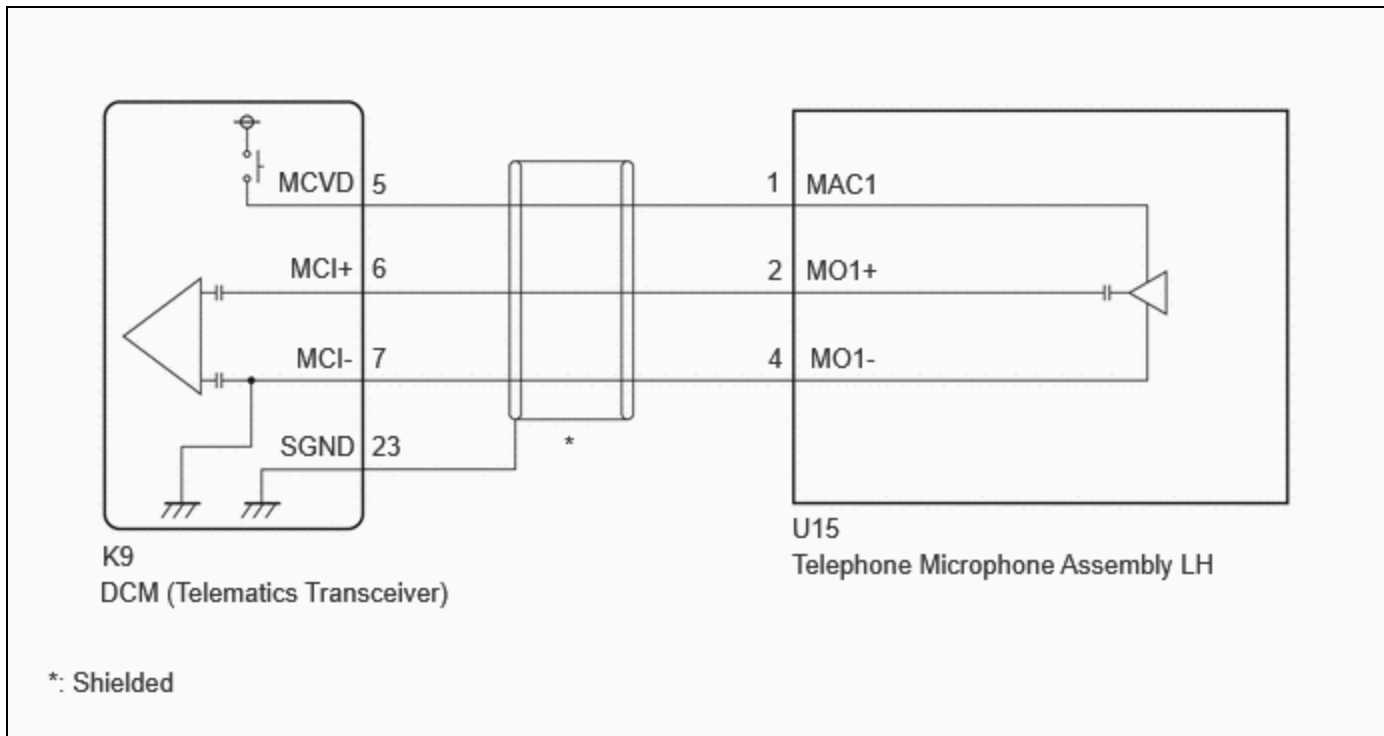
DTC	B157213	Microphone Circuit Open
------------	----------------	--------------------------------

DESCRIPTION

This DTC is stored when the DCM (telematics transceiver) detects a malfunction in the telephone microphone assembly circuit.

DTC NO.	DETECTION ITEM	DTC DETECTION CONDITION	TROUBLE AREA	DTC OUTPUT FROM	PRIORITY
B157213	Microphone Circuit Open	Current at terminal MCVD is lower than the malfunction threshold for 10 seconds or more while the ignition switch is ON	<ul style="list-style-type: none"> DCM (telematics transceiver) Telephone microphone assembly LH Harness or connector 	Telematics	A

WIRING DIAGRAM



CAUTION / NOTICE / HINT

NOTICE:

Depending on the parts that are replaced during vehicle inspection or maintenance, performing initialization, registration or calibration may be needed. Refer to Precaution for Safety Connect System.

Click here [INFO](#)

PROCEDURE

1.	CLEAR DTC
-----------	------------------

- (a) Turn the ignition switch to ON and wait for 10 seconds or more.
- (b) Clear the DTCs.

Body Electrical > Telematics > Clear DTCs

NEXT



2.	CHECK DTC
-----------	------------------

Pre-procedure1

- (a) Turn the ignition switch to ON and wait for 10 seconds or more.

Procedure1

- (b) Check for DTCs and check that no DTCs are output.

Body Electrical > Telematics > Trouble Codes

OK:

No DTCs are output.

RESULT	PROCEED TO
B157213 is not output	A
B157213 is output	B

Post-procedure1

- (c) None

A **USE SIMULATION METHOD TO CHECK**

B



3. CHECK HARNESS AND CONNECTOR (DCM (TELEMATICS TRANSCEIVER) - TELEPHONE MICROPHONE ASSEMBLY LH)

Pre-procedure1

- (a) Disconnect the K9 DCM (telematics transceiver) connector.
- (b) Disconnect the U15 telephone microphone assembly LH connector.

Procedure1

- (c) Measure the resistance according to the value(s) in the table below.

Standard Resistance:



[Click Location & Routing\(K9,U15\)](#)

[Click Connector\(K9\)](#)

[Click Connector\(U15\)](#)

TESTER CONNECTION	CONDITION	SPECIFIED CONDITION	RESULT
K9-5 (MCVD) - U15-1 (MAC1)	Always	Below 1 Ω	Ω
K9-6 (MCI+) - U15-2 (MO1+)	Always	Below 1 Ω	Ω
K9-7 (MCI-) - U15-4 (MO1-)	Always	Below 1 Ω	Ω
K9-23 (SGND) - Body ground	Always	10 kΩ or higher	kΩ
K9-5 (MCVD) or U15-1 (MAC1) - Body ground	Always	10 kΩ or higher	kΩ
K9-6 (MCI+) or U15-2 (MO1+) - Body ground	Always	10 kΩ or higher	kΩ
K9-7 (MCI-) or U15-4 (MO1-) - Body ground	Always	10 kΩ or higher	kΩ

Post-procedure1

- (d) None

NG **REPAIR OR REPLACE HARNESS OR CONNECTOR**



4. CHECK DCM (TELEMATICS TRANSCEIVER) (TELEPHONE MICROPHONE ASSEMBLY LH POWER SOURCE)

Pre-procedure1

- (a) Remove the telephone microphone assembly LH but do not disconnect the connectors.

HINT:

[Click here](#) **INFO**

Procedure1

(b) Measure the voltage and resistance according to the value(s) in the table below.

Standard Voltage:



[Click Location & Routing\(U15\)](#)

[Click Connector\(U15\)](#)

TESTER CONNECTION	SWITCH CONDITION	SPECIFIED CONDITION	RESULT
U15-1 (MAC1) - Body ground	Ignition switch ON	7.5 to 8.5 V	V

Standard Resistance:



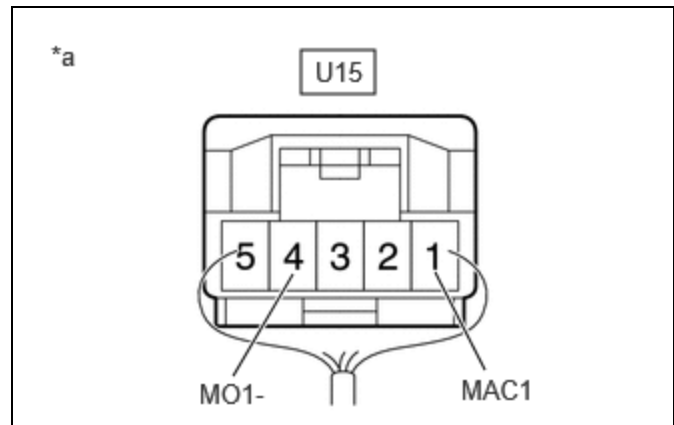
[Click Location & Routing\(U15\)](#)

[Click Connector\(U15\)](#)

TESTER CONNECTION	CONDITION	SPECIFIED CONDITION	RESULT
U15-4 (MO1-) - Body ground	Always	Below 1 Ω	Ω

Result:

PROCEED TO
OK
NG



*a Component with harness connected (Telephone Microphone Assembly LH)

Post-procedure1

(c) None

OK **REPLACE TELEPHONE MICROPHONE ASSEMBLY LH** **INFO**

NG

5. REPLACE DCM (TELEMATICS TRANSCEIVER)

(a) Replace the DCM (telematics transceiver) with a new one.

HINT:

[Click here](#) 

NOTICE:

- The ignition switch must be off.
- Do not exchange the DCM (telematics transceiver) with one from another vehicle.

NEXT  **PERFORM DCM ACTIVATION**

