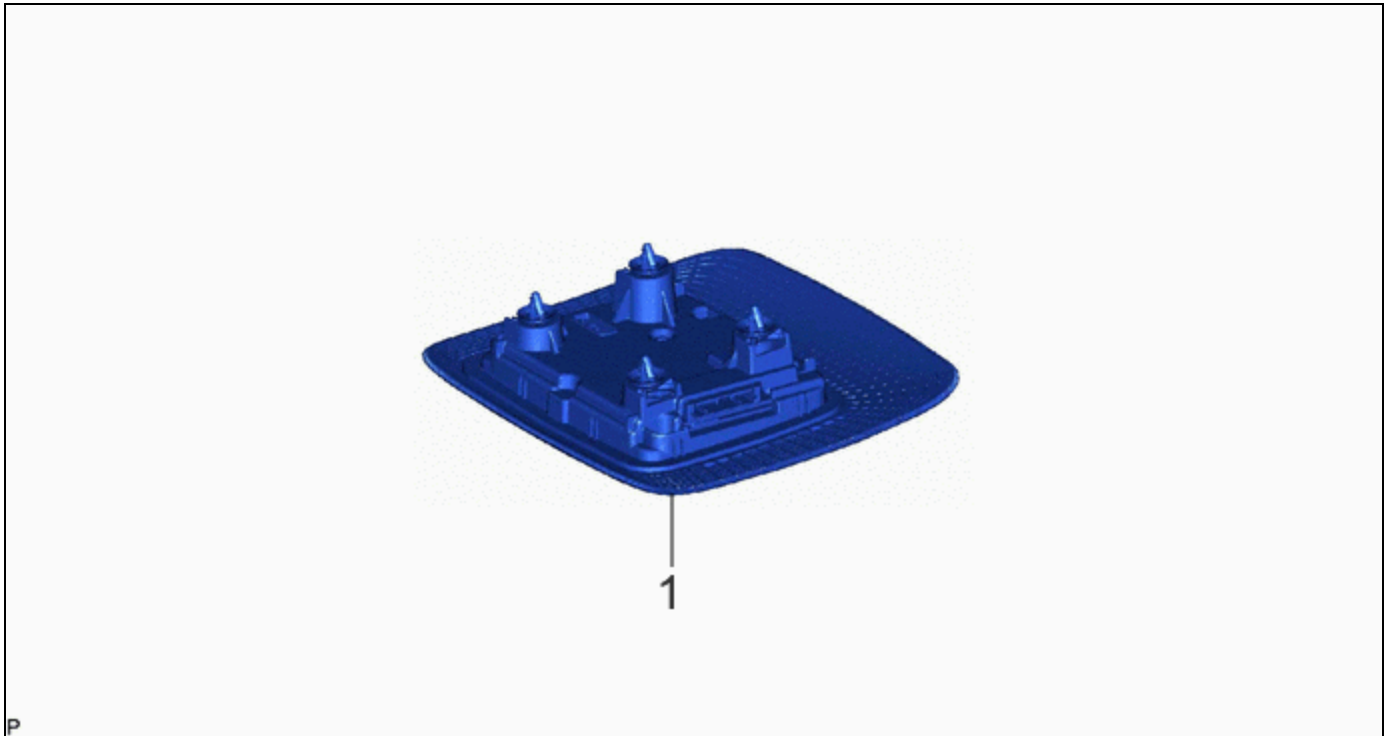


Last Modified: 12-04-2024	6.11:8.1.0	Doc ID: RM1000000028U1E
Model Year Start: 2023	Model: Prius Prime	Prod Date Range: [12/2022 -]
Title: CELLULAR COMMUNICATION: MANUAL(SOS)SWITCH: INSTALLATION; 2023 - 2024 MY Prius Prius Prime [12/2022 -]		

INSTALLATION

CAUTION / NOTICE / HINT

COMPONENTS (INSTALLATION)



PROCEDURE		PART NAME CODE			
1	MANUAL (SOS) SWITCH (MAP LIGHT ASSEMBLY)	81260A	-	-	-

PROCEDURE

1. INSTALL MANUAL (SOS) SWITCH (MAP LIGHT ASSEMBLY)

