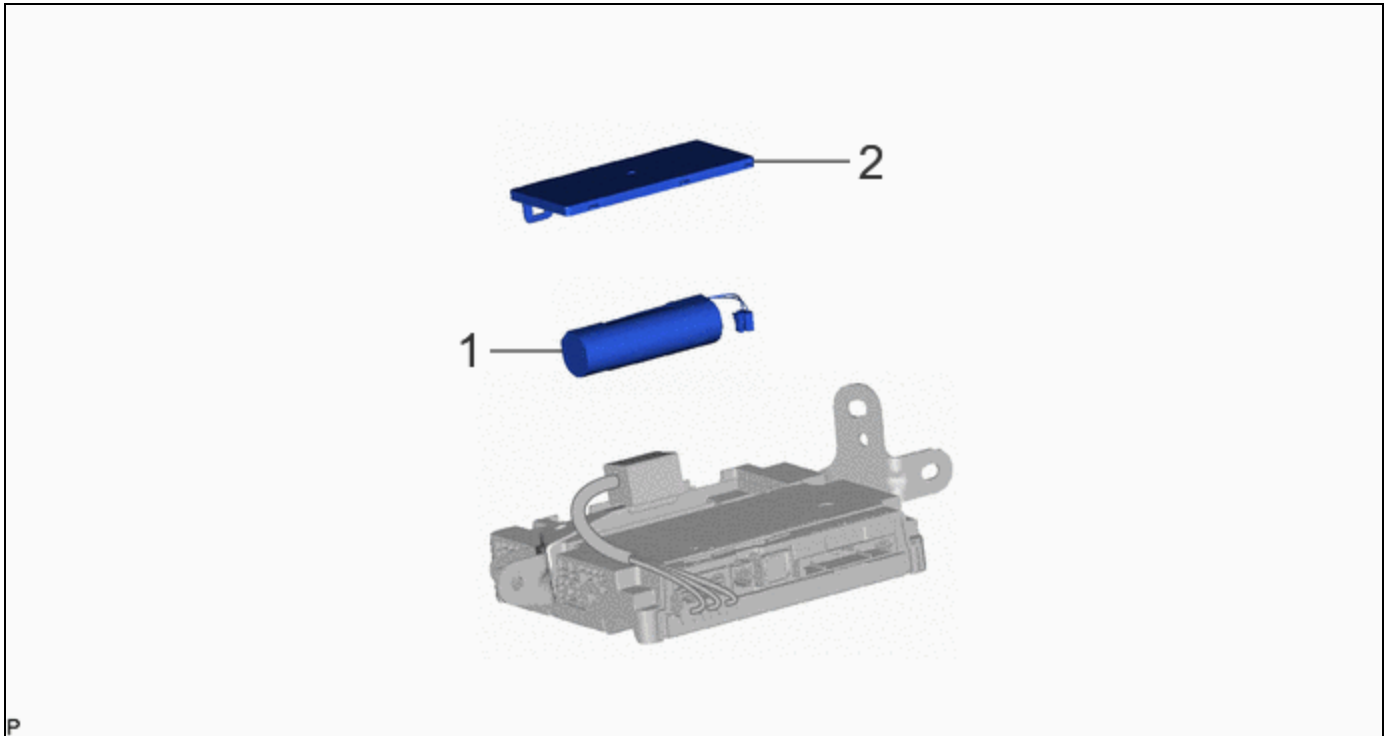


<b>Last Modified:</b> 12-04-2024	6.11:8.1.0	<b>Doc ID:</b> RM1000000028U1C
<b>Model Year Start:</b> 2023	<b>Model:</b> Prius Prime	<b>Prod Date Range:</b> [12/2022 - ]
<b>Title:</b> CELLULAR COMMUNICATION: BACK-UP BATTERY: INSTALLATION; 2023 - 2024 MY Prius Prius Prime [12/2022 - ]		

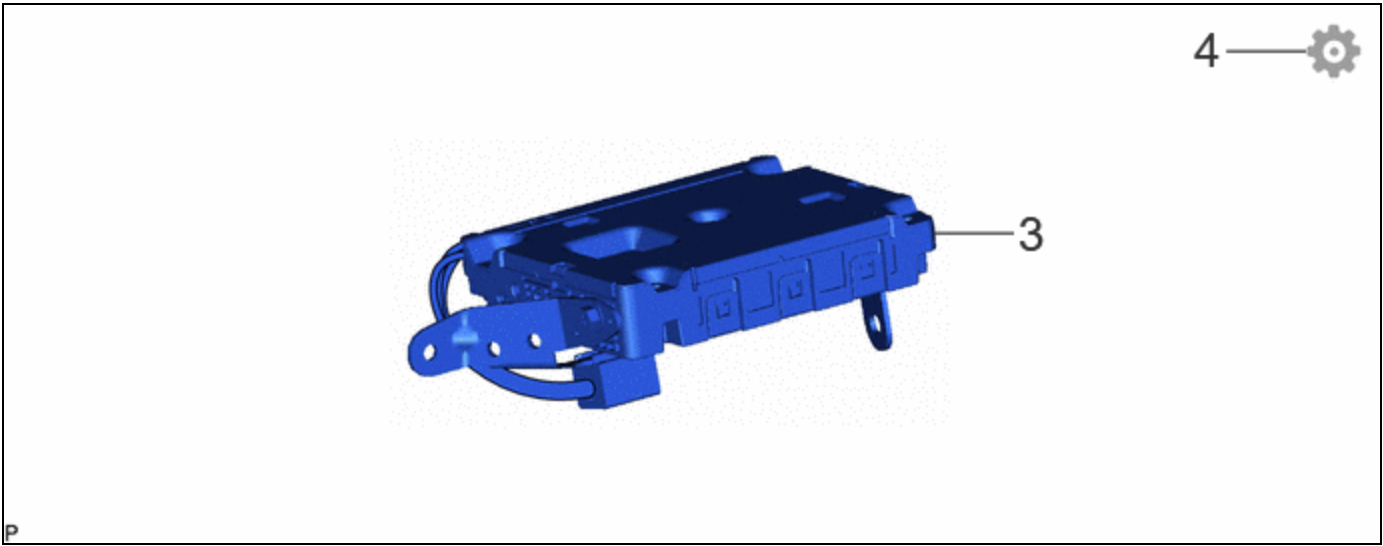
## INSTALLATION




### CAUTION / NOTICE / HINT

#### COMPONENTS (INSTALLATION)



PROCEDURE		PART NAME CODE			
1	BACK-UP BATTERY	86725	-	-	-
2	TRANSCEIVER COVER	86742	-	-	-



	PROCEDURE	PART NAME CODE			
3	DCM (TELEMATICS TRANSCEIVER) WITH BRACKET	-	-	-	-
4	PERFORM INITIALIZATION	-	-	-	<a href="#">INFO</a>

## PROCEDURE

### 1. INSTALL BACK-UP BATTERY

### 2. INSTALL TRANSCEIVER COVER

### 3. INSTALL DCM (TELEMATICS TRANSCEIVER) WITH BRACKET

Click here [INFO](#)

### 4. PERFORM INITIALIZATION

Click here [INFO](#)

