

<b>Last Modified:</b> 12-04-2024	6.11:8.1.0	<b>Doc ID:</b> RM100000002BLBP
<b>Model Year Start:</b> 2023	<b>Model:</b> Prius Prime	<b>Prod Date Range:</b> [03/2023 - ]
<b>Title:</b> AUDIO / VIDEO: ROOF ANTENNA: REMOVAL; 2023 - 2024 MY Prius Prius Prime [03/2023 - ]		

## REMOVAL

### CAUTION / NOTICE / HINT

The necessary procedures (adjustment, calibration, initialization or registration) that must be performed after parts are removed and installed, or replaced during roof antenna removal/installation are shown below.

#### Necessary Procedures After Parts Removed/Installed/Replaced

REPLACED PART OR PERFORMED PROCEDURE	NECESSARY PROCEDURE	EFFECT/INOPERATIVE FUNCTION WHEN NECESSARY PROCEDURE NOT PERFORMED	LINK
<b>w/ Occupant Classification System:</b>  Front passenger seat*	Zero point calibration (Occupant classification system)	<ul style="list-style-type: none"> <li>• Occupant Classification System</li> <li>• Passenger airbag ON/OFF indicator</li> <li>• Airbag System (Front passenger side)</li> <li>• Seat Belt Warning System (Front passenger)</li> </ul>	<a href="#">INFO</a>

\*: Even when not replacing the part, it is necessary to perform the specified necessary procedures after installation.

#### CAUTION:

Be sure to read Precaution thoroughly before servicing.



[Click here](#) [INFO](#)

#### NOTICE:

- After the ignition switch is turned off, there may be a waiting time before disconnecting the negative (-) auxiliary battery terminal.

[Click here](#) [INFO](#)

#### HINT:

- When the cable is disconnected / reconnected to the auxiliary battery terminal, systems temporarily stop operating. However, each system has a function that completes learning the first time the system is used.

**Learning completes when vehicle is driven**

EFFECT/INOPERATIVE FUNCTION WHEN NECESSARY PROCEDURES ARE NOT PERFORMED	NECESSARY PROCEDURES	LINK
Front Camera System	Drive the vehicle straight ahead at 35 km/h (22 mph) or more for 5 seconds or more.	INFO

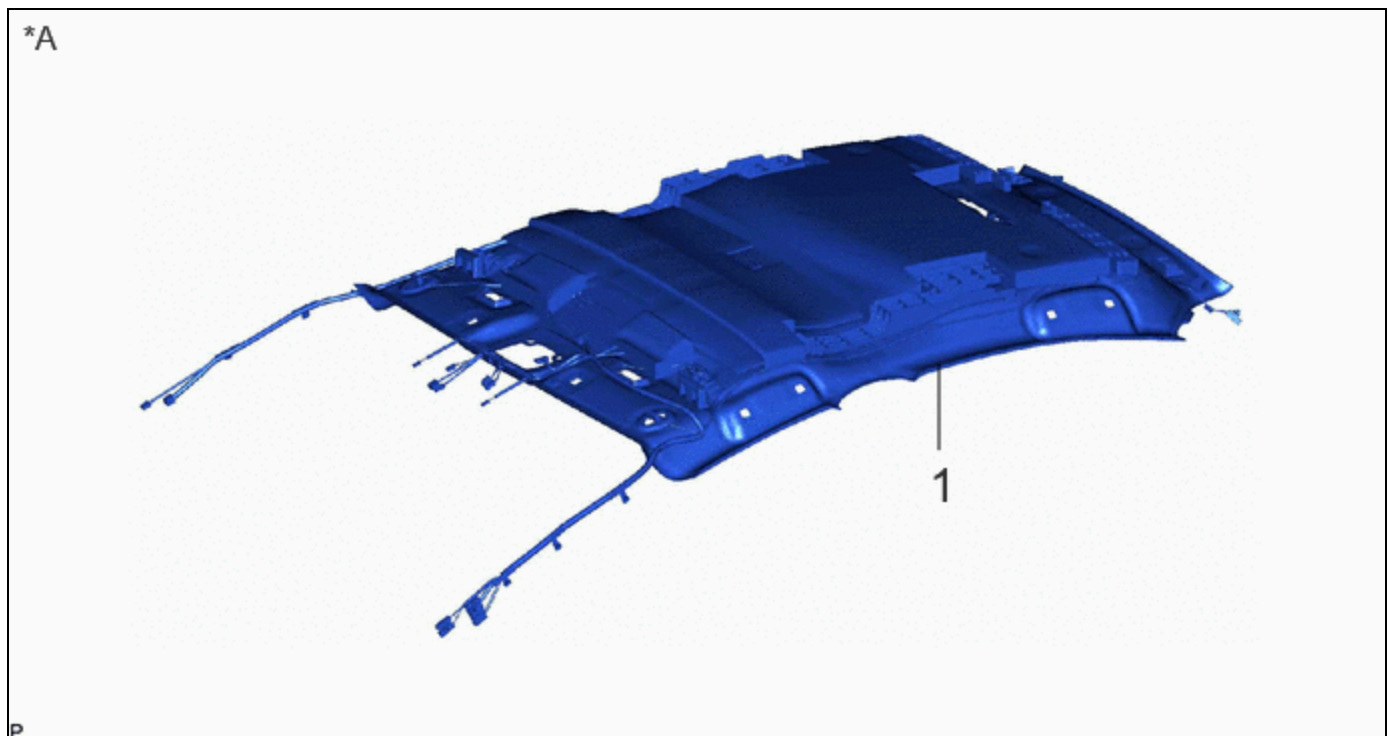
**Learning completes when vehicle is operated normally**




\*1: w/o Power Back Door System

EFFECT/INOPERATIVE FUNCTION WHEN NECESSARY PROCEDURES ARE NOT PERFORMED	NECESSARY PROCEDURES	LINK
Power Door Lock Control System*1 <ul style="list-style-type: none"> <li>o Back door opener</li> </ul>	Perform door unlock operation with door control switch or electrical key transmitter sub-assembly switch.	INFO
Power Back Door System*2	Reset back door close position	INFO
Air Conditioning System	<b>for HEV Model:</b> After the ignition switch is turned to ON, the servo motor standard position is recognized. <b>for PHEV Model:</b> After the ignition switch is turned to ON, the servo motor and expansion valve standard position is recognized.	-
*1: w/o Power Back Door System *2: w/ Power Back Door System		

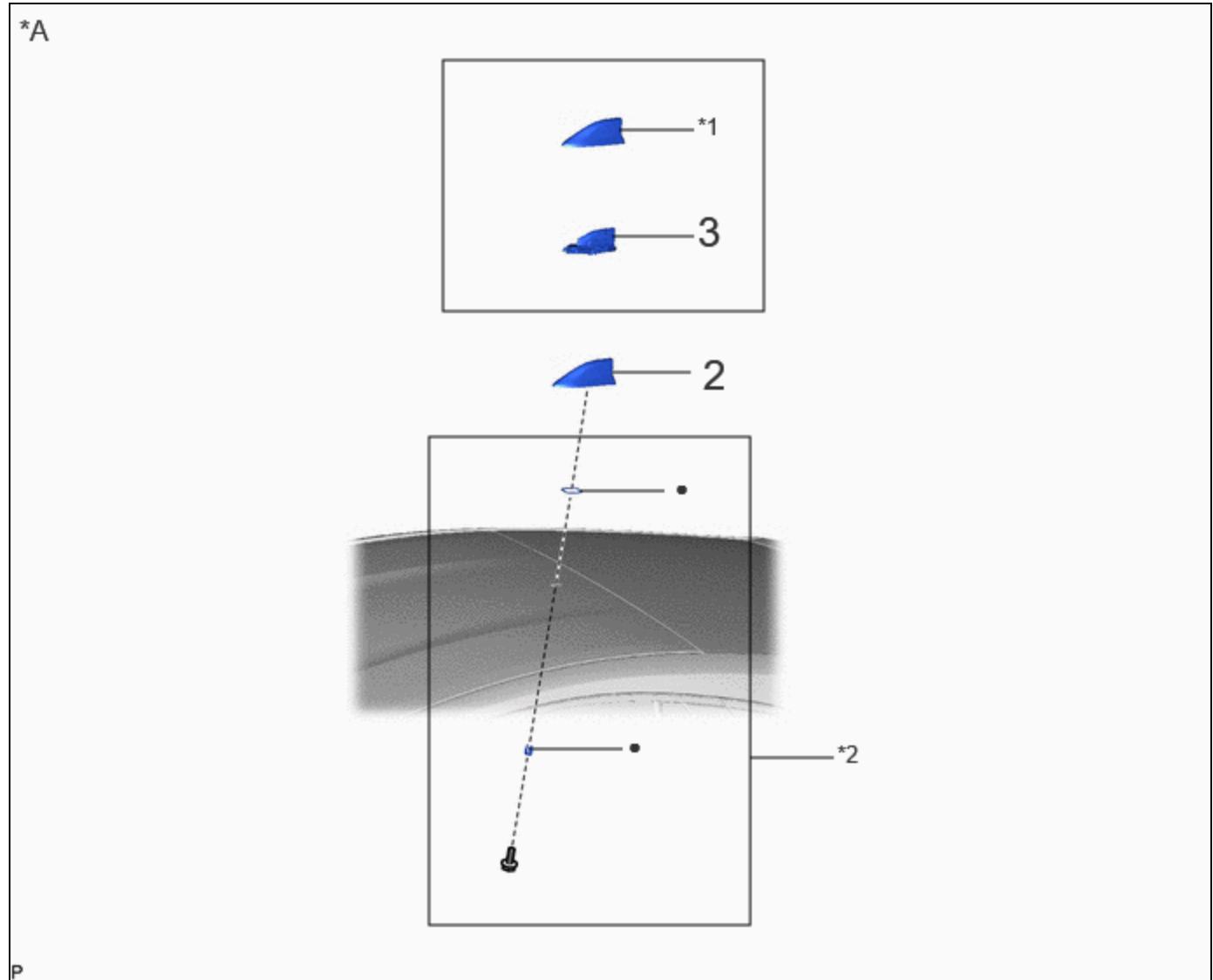
**CAUTION / NOTICE / HINT**




**COMPONENTS (REMOVAL)**



PROCEDURE		PART NAME CODE			
1	ROOF HEADLINING ASSEMBLY	-	-	-	-

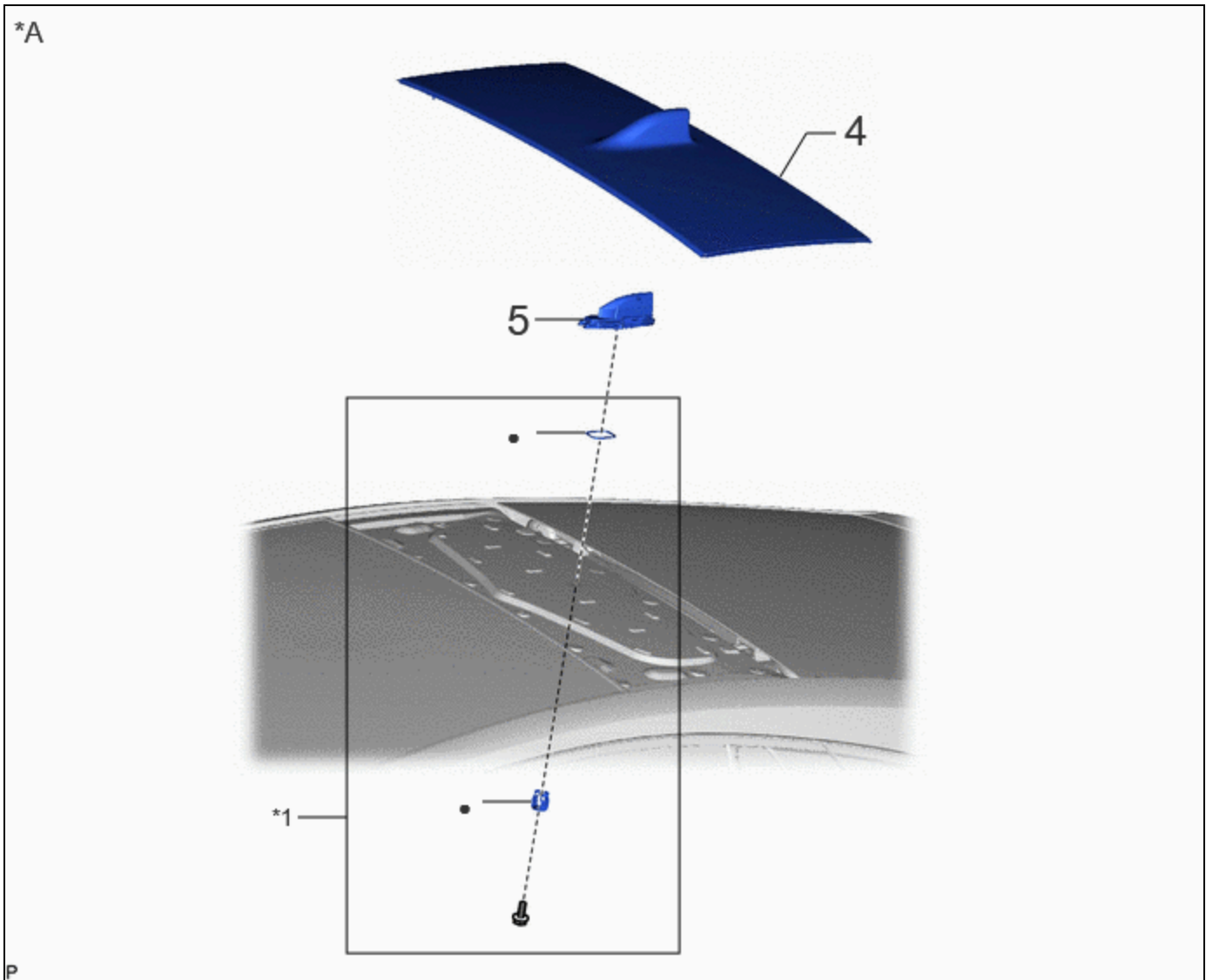
*A	for Normal Roof	-	-
----	-----------------	---	---



PROCEDURE		PART NAME CODE			
2	ROOF ANTENNA ASSEMBLY WITH COVER	-	-	-	-
3	ROOF ANTENNA ASSEMBLY	86300J	-	-	-

*A	for Normal Roof	-	-
*1	COVER	*2	ROOF ANTENNA HOUSING

•	Non-reusable part	-	-
---	-------------------	---	---



PROCEDURE	PART NAME CODE			
4 ROOF TOP MOULDING SUB-ASSEMBLY	75607B	-	-	-
5 ROOF ANTENNA ASSEMBLY	86300J	-	-	-

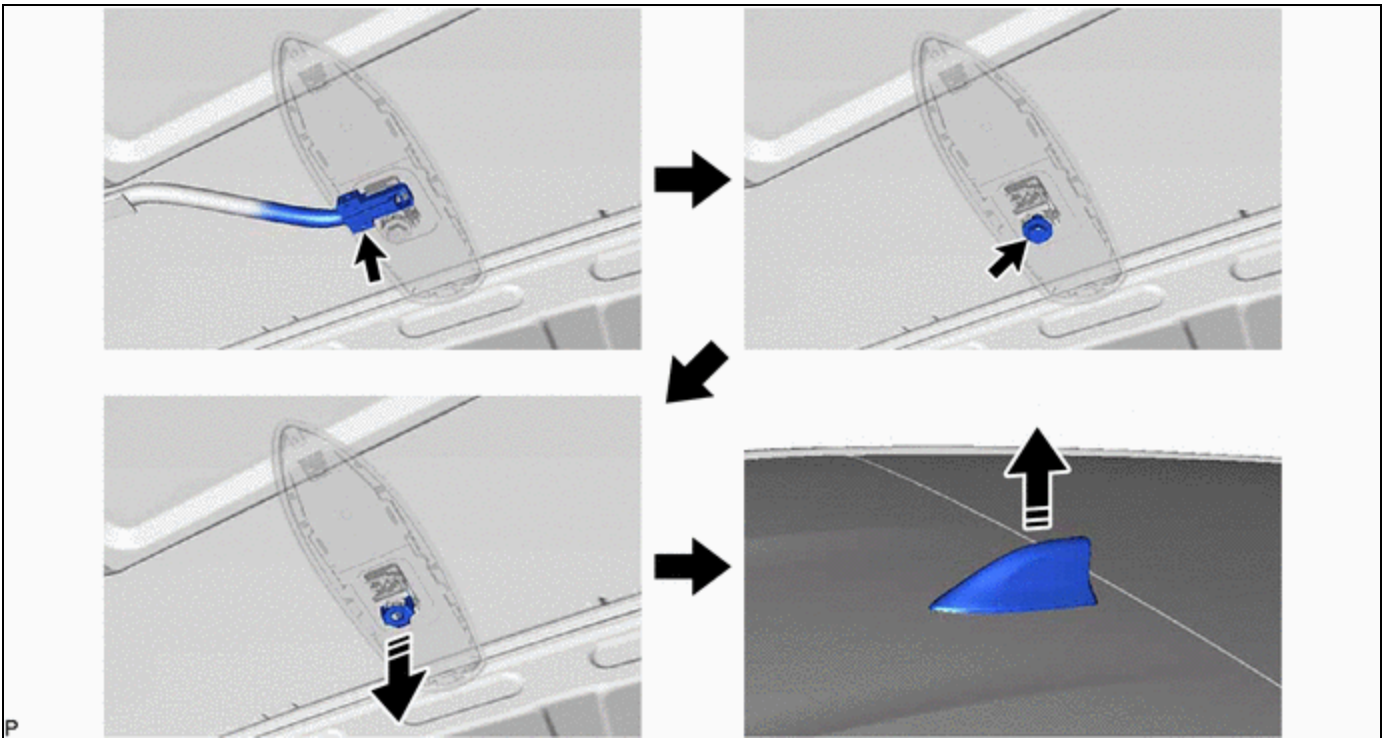
*A	for Panoramic Moon Roof	-	-
*1	ROOF ANTENNA HOUSING	-	-
•	Non-reusable part	-	-

## PROCEDURE

### 1. REMOVE ROOF HEADLINING ASSEMBLY (for Normal Roof)

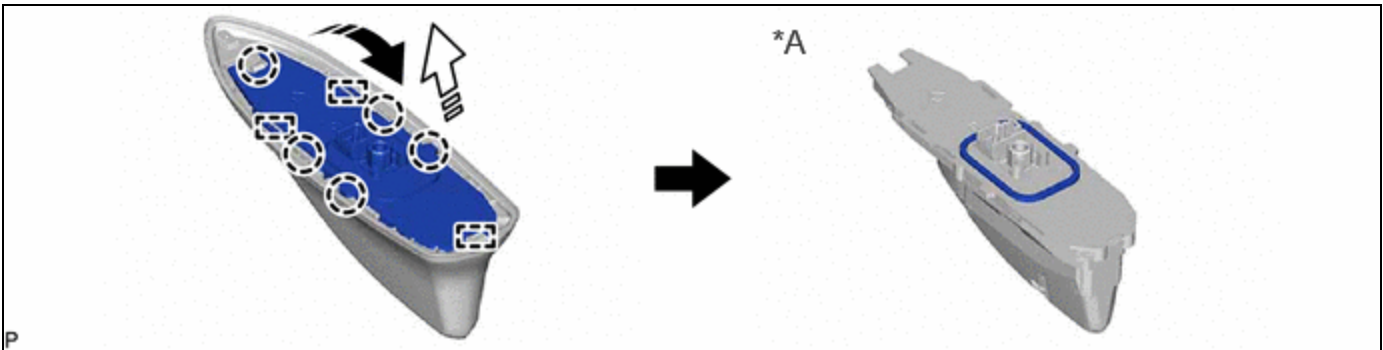
Click here [INFO](#)

**2. REMOVE ROOF ANTENNA ASSEMBLY WITH COVER (for Normal Roof)**



	Remove in this Direction	-	-
--	--------------------------	---	---

**3. REMOVE ROOF ANTENNA ASSEMBLY (for Normal Roof)**

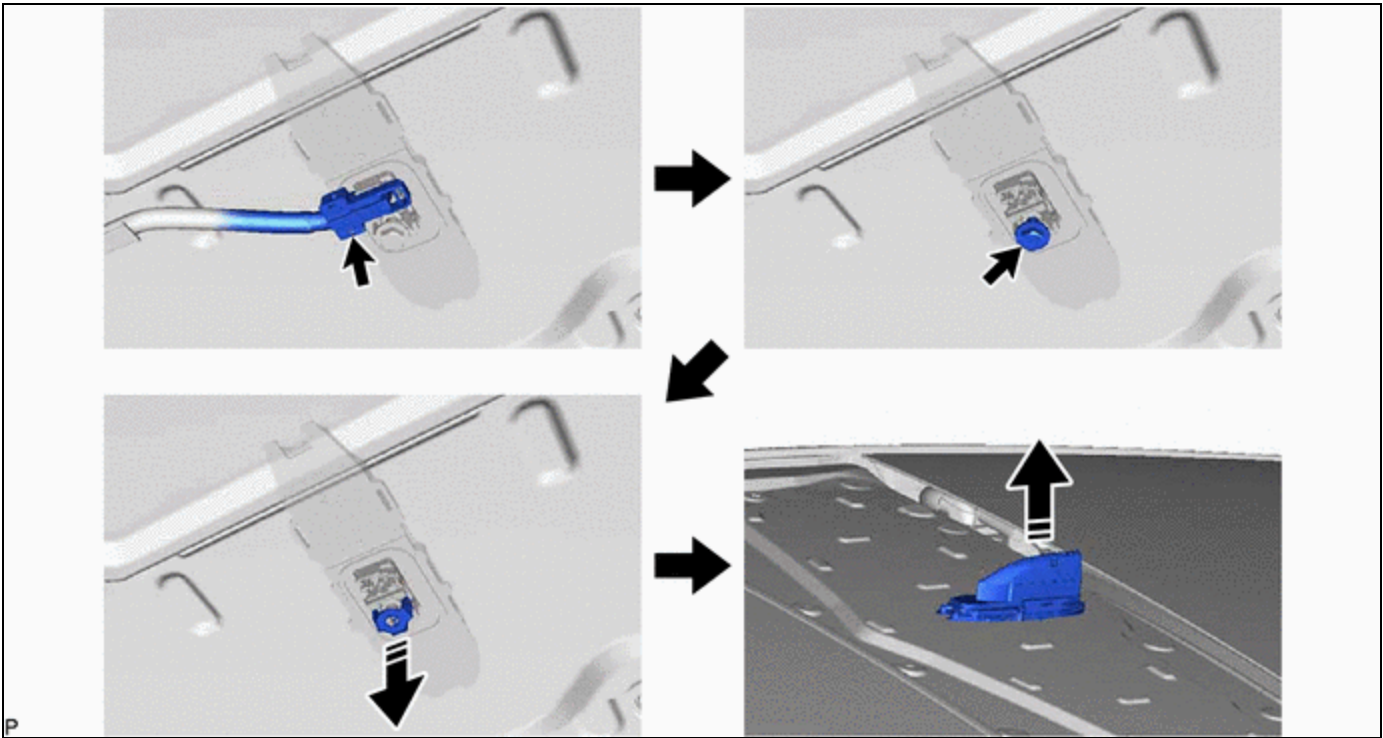


*A	When reusing the telephone antenna assembly	-	-
	Remove in this Direction (1)		Remove in this Direction (2)

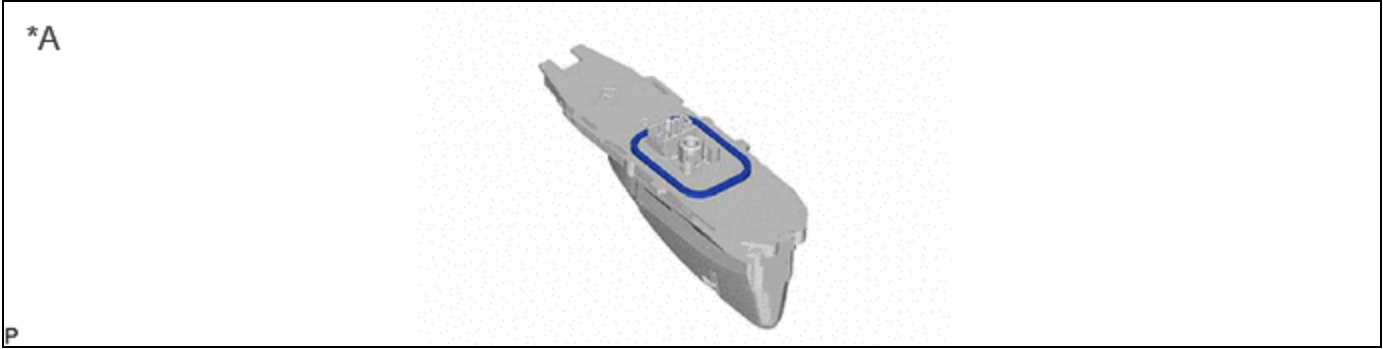
**4. REMOVE ROOF TOP MOULDING SUB-ASSEMBLY (for Panoramic Moon Roof)**

Click here [INFO](#)

**5. REMOVE ROOF ANTENNA ASSEMBLY (for Panoramic Moon Roof)**



	Remove in this Direction	-	-
--	--------------------------	---	---



*A	When reusing the telephone antenna assembly	-	-
	Remove in this Direction (1)	-	-

