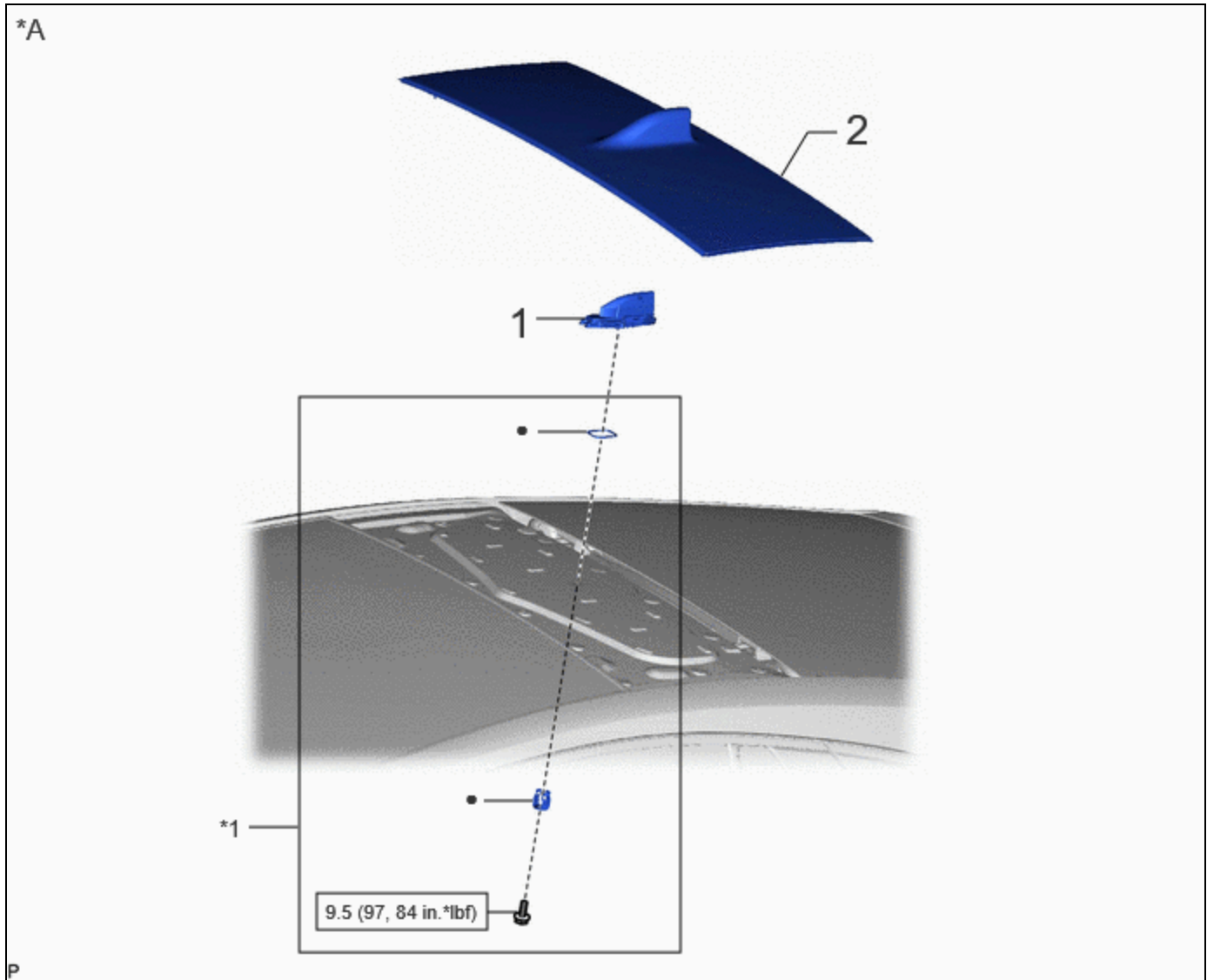


| | | |
|--|---------------------------|--------------------------------------|
| Last Modified: 12-04-2024 | 6.11:8.1.0 | Doc ID: RM100000002962C |
| Model Year Start: 2023 | Model: Prius Prime | Prod Date Range: [12/2022 -] |
| Title: AUDIO / VIDEO: ROOF ANTENNA: INSTALLATION; 2023 - 2024 MY Prius Prius Prime [12/2022 -] | | |

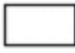
INSTALLATION

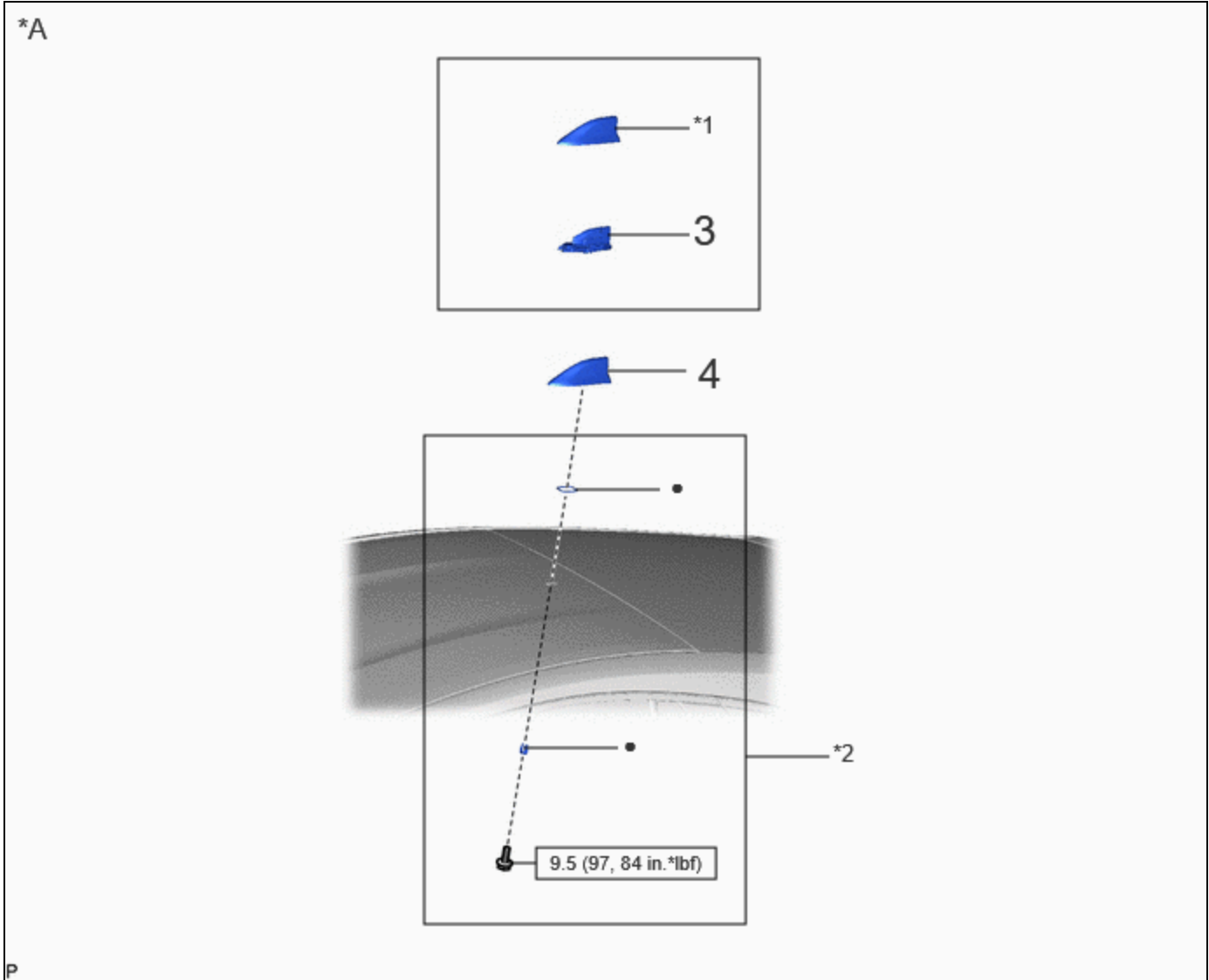
CAUTION / NOTICE / HINT




COMPONENTS (INSTALLATION)



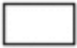
| | PROCEDURE | PART NAME CODE | ! | 📄 | ⚙️ |
|---|--------------------------------|----------------|---|---|----|
| 1 | ROOF ANTENNA ASSEMBLY | 86300J | - | - | - |
| 2 | ROOF TOP MOULDING SUB-ASSEMBLY | 75607B | - | - | - |

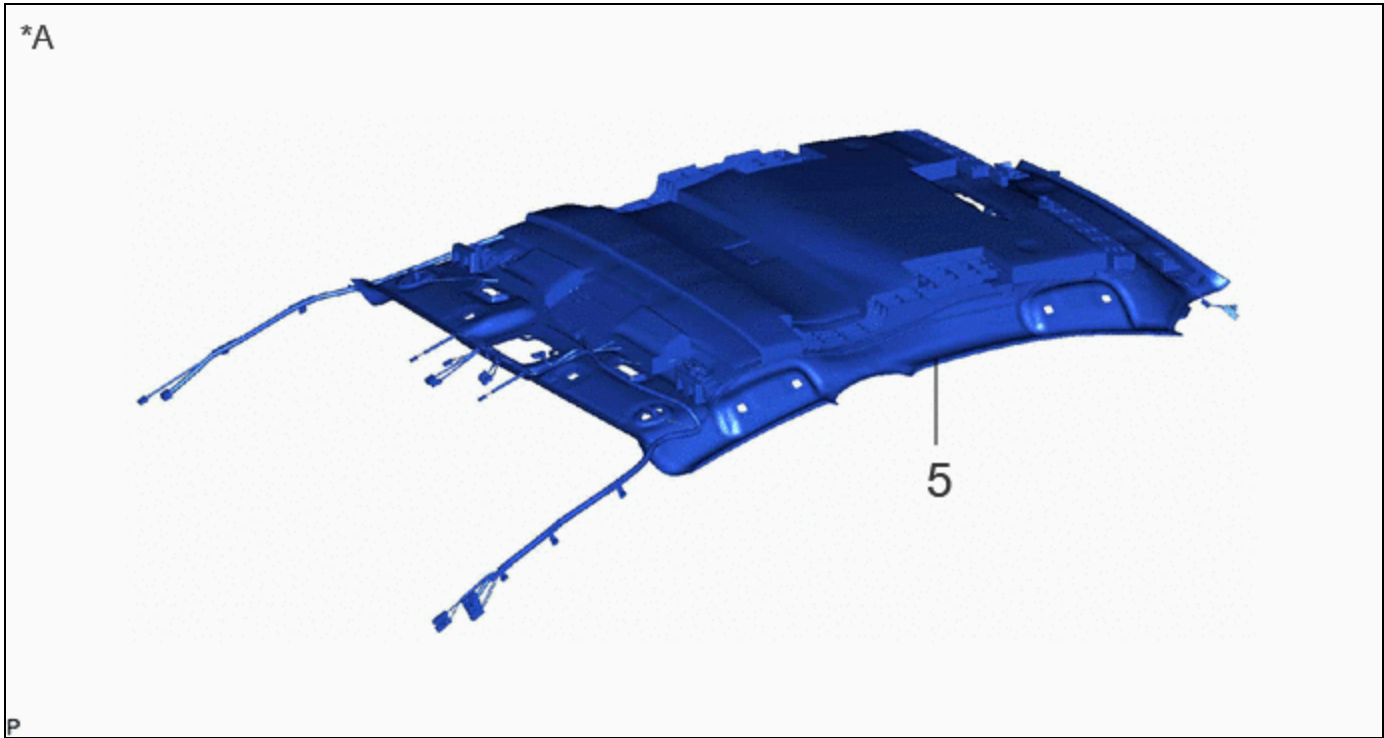
| | | | |
|---|---|---|---|
| *A | for Panoramic Moon Roof | - | - |
| *1 | ROOF ANTENNA HOUSING | - | - |
|  | N*m (kgf*cm, ft.*lbf): Specified torque | | <ul style="list-style-type: none"> • Non-reusable part |






| PROCEDURE | | PART NAME CODE |  |  |  |
|-----------|----------------------------------|----------------|---|---|---|
| 3 | ROOF ANTENNA ASSEMBLY | 86300J | - | - | - |
| 4 | ROOF ANTENNA ASSEMBLY WITH COVER | - | - | - | - |

| | | | |
|----|-----------------|----|----------------------|
| *A | for Normal Roof | - | - |
| *1 | COVER | *2 | ROOF ANTENNA HOUSING |

| | | | |
|---|---|---|-------------------|
|  | N*m (kgf*cm, ft.*lbf): Specified torque | <ul style="list-style-type: none"> • | Non-reusable part |
|---|---|---|-------------------|



| PROCEDURE | PART NAME CODE |  |  |  |
|----------------------------|----------------|--|---|---|
| 5 ROOF HEADLINING ASSEMBLY | - | - | - | - |

| | | | |
|----|-----------------|---|---|
| *A | for Normal Roof | - | - |
|----|-----------------|---|---|

PROCEDURE

1. INSTALL ROOF ANTENNA ASSEMBLY (for Panoramic Moon Roof)

Torque:

9.5 N·m {97 kgf·cm, 84 in·lbf}

2. INSTALL ROOF TOP MOULDING SUB-ASSEMBLY (for Panoramic Moon Roof)

Click here [INFO](#)

3. INSTALL ROOF ANTENNA ASSEMBLY (for Normal Roof)

4. INSTALL ROOF ANTENNA ASSEMBLY WITH COVER (for Normal Roof)

Torque:

9.5 N·m {97 kgf·cm, 84 in·lbf}

5. INSTALL ROOF HEADLINING ASSEMBLY (for Normal Roof)

Click here 

