

Last Modified: 12-04-2024	6.11:8.1.0	Doc ID: RM1000000029620
Model Year Start: 2023	Model: Prius Prime	Prod Date Range: [12/2022 -]
Title: AUDIO / VIDEO: RADIO RECEIVER: REMOVAL; 2023 - 2024 MY Prius Prius Prime [12/2022 -]		

REMOVAL

CAUTION / NOTICE / HINT

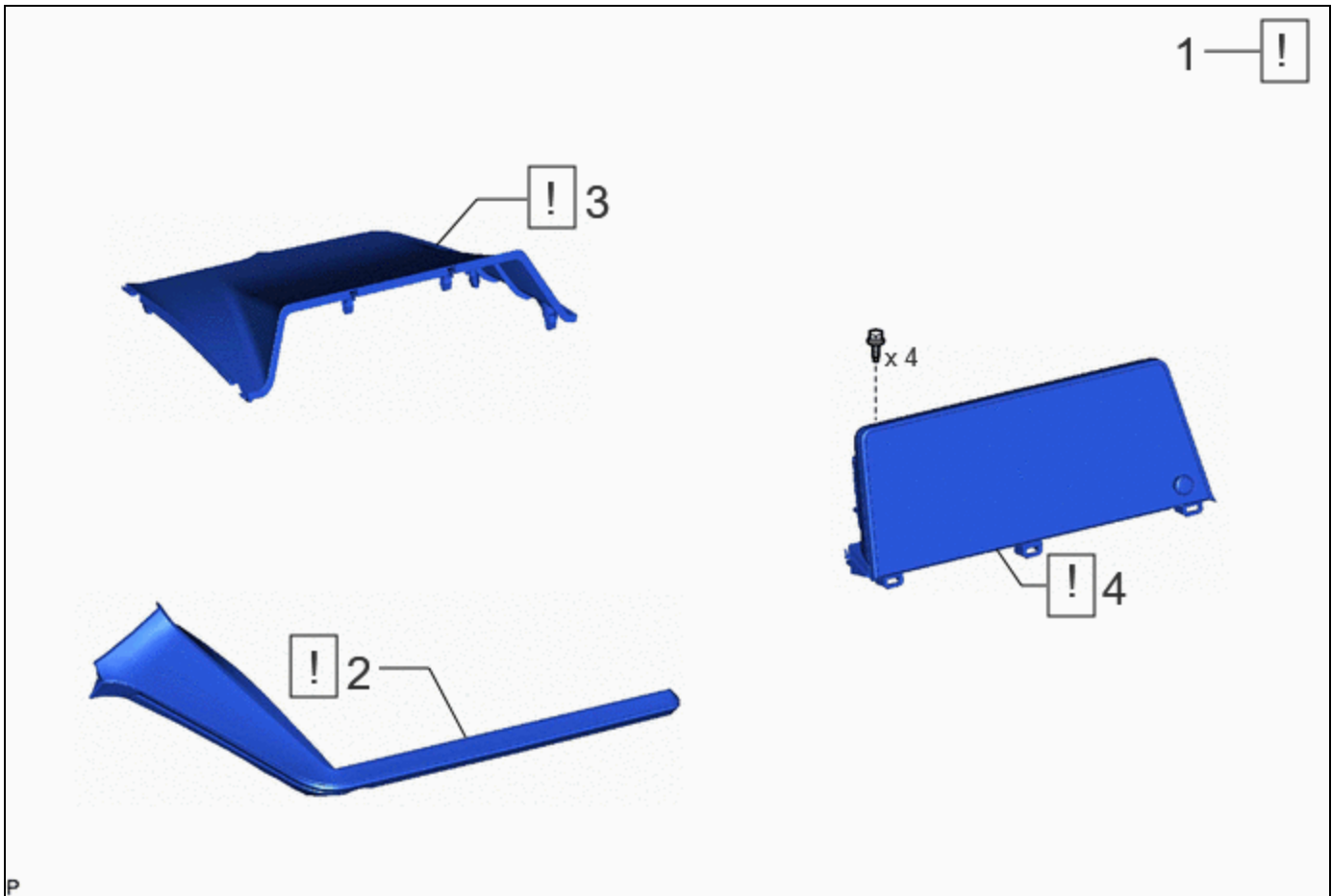
The necessary procedures (adjustment, calibration, initialization or registration) that must be performed after parts are removed and installed, or replaced during radio and display receiver assembly removal/installation are shown below.

Necessary Procedures After Parts Removed/Installed/Replaced

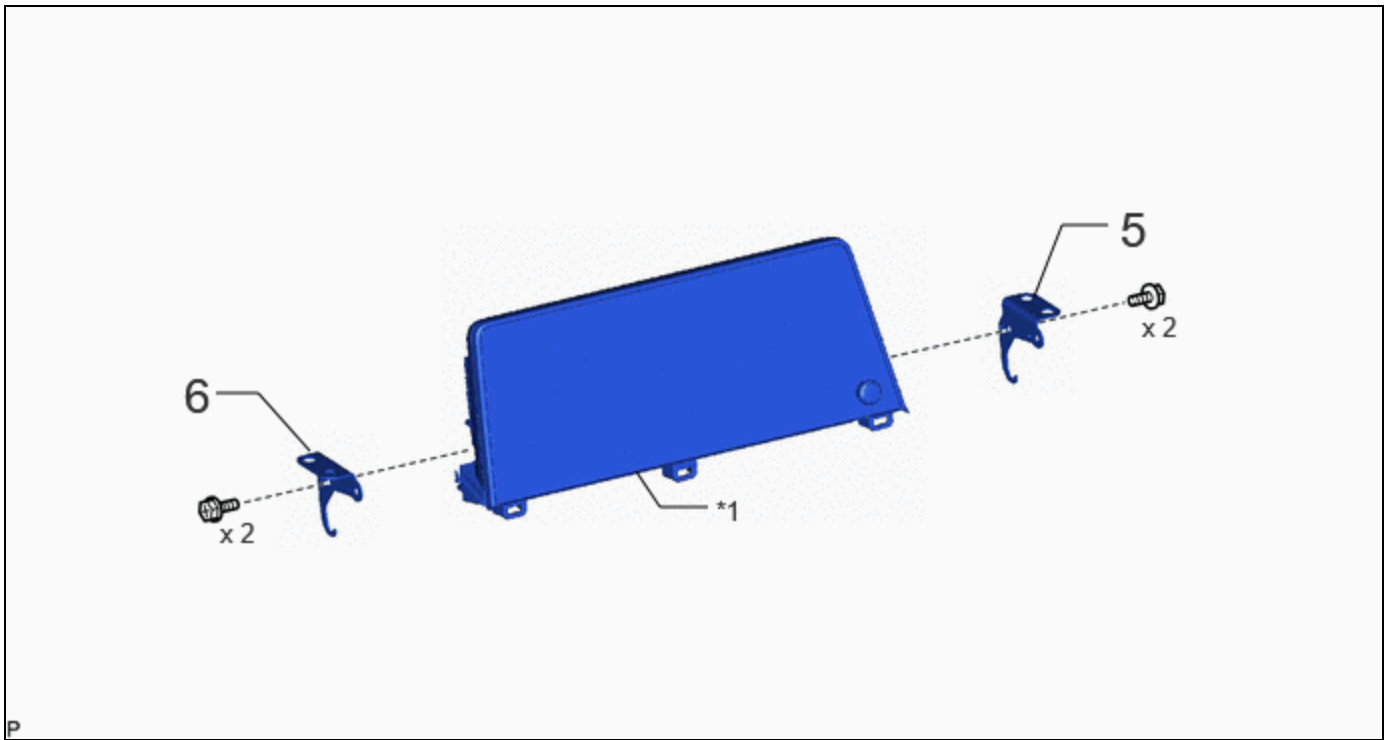
REPLACED PART OR PERFORMED PROCEDURES	NECESSARY PROCEDURES	EFFECT/INOPERATIVE FUNCTION WHEN NECESSARY PROCEDURES ARE NOT PERFORMED	LINK
Radio and display receiver assembly	Register Vehicle Information*	-	INFO
	Software update		
*: w/ Telematics Transceiver			

CAUTION / NOTICE / HINT

COMPONENTS (REMOVAL)

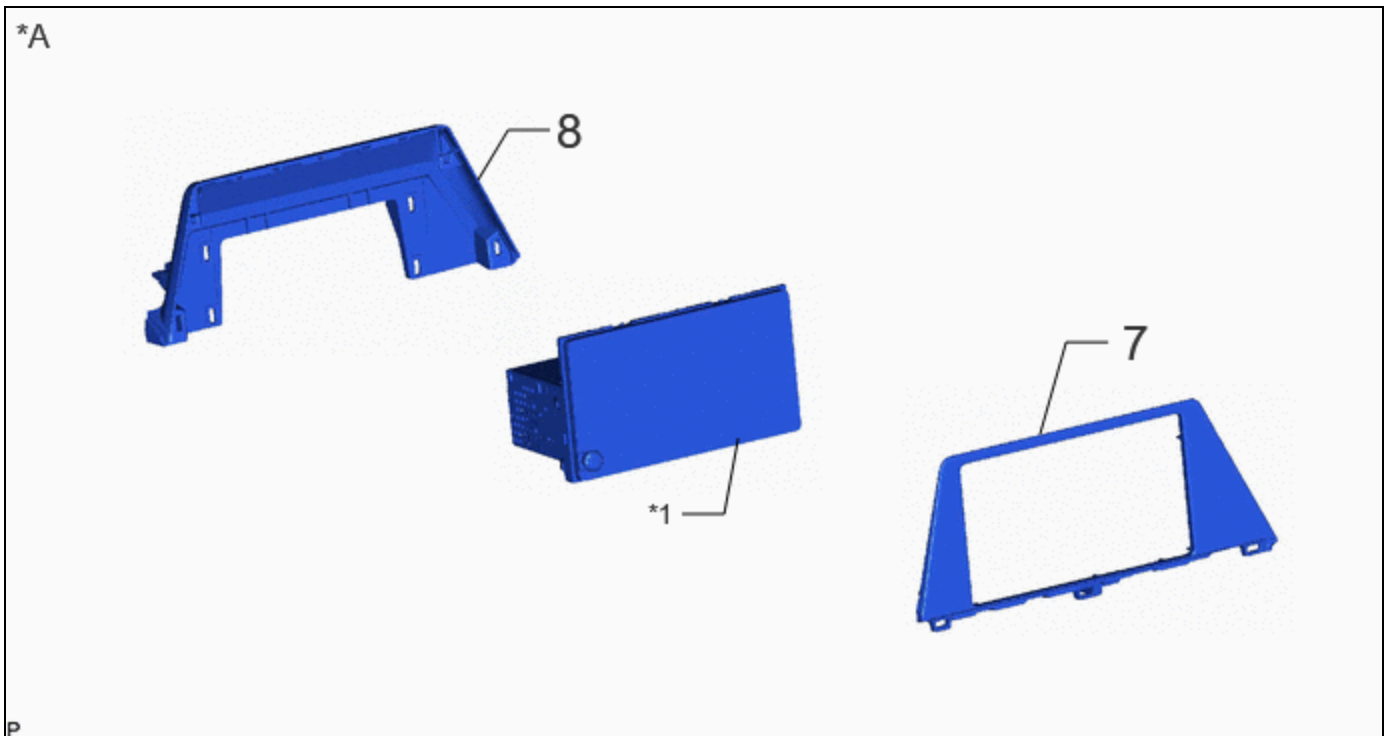





	PROCEDURE	PART NAME CODE			
1	PRECAUTION	-	INFO	-	-
2	CENTER INSTRUMENT CLUSTER FINISH PANEL ASSEMBLY	55420A	INFO	-	-
3	CENTER UPPER INSTRUMENT CLUSTER FINISH PANEL	55422C	INFO	-	-
4	RADIO AND DISPLAY RECEIVER ASSEMBLY WITH BRACKET	-	INFO	-	-



PROCEDURE		PART NAME CODE			
5	NO. 1 RADIO RECEIVER BRACKET	86211J	-	-	-
6	NO. 2 RADIO RECEIVER BRACKET	86212C	-	-	-

*1	RADIO AND DISPLAY RECEIVER ASSEMBLY	-	-
----	-------------------------------------	---	---




PROCEDURE		PART NAME CODE			
7	RADIO TUNER FINISH PANEL	55424C	-	-	-
8	NO. 3 INSTRUMENT PANEL FINISH PANEL RETAINER	55439A	-	-	-


*A	for 8 Inch Display	-	-
*1	RADIO AND DISPLAY RECEIVER ASSEMBLY	-	-

PROCEDURE


1. PRECAUTION

	Click here INFO
---	---------------------------------

2. REMOVE CENTER INSTRUMENT CLUSTER FINISH PANEL ASSEMBLY

	Click here INFO
--	---------------------------------

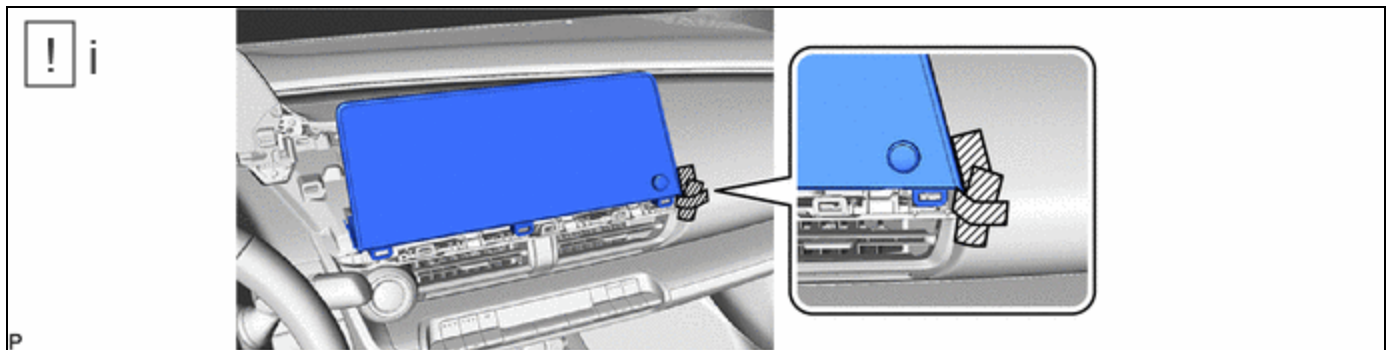
3. REMOVE CENTER UPPER INSTRUMENT CLUSTER FINISH PANEL

	Click here INFO
---	---------------------------------

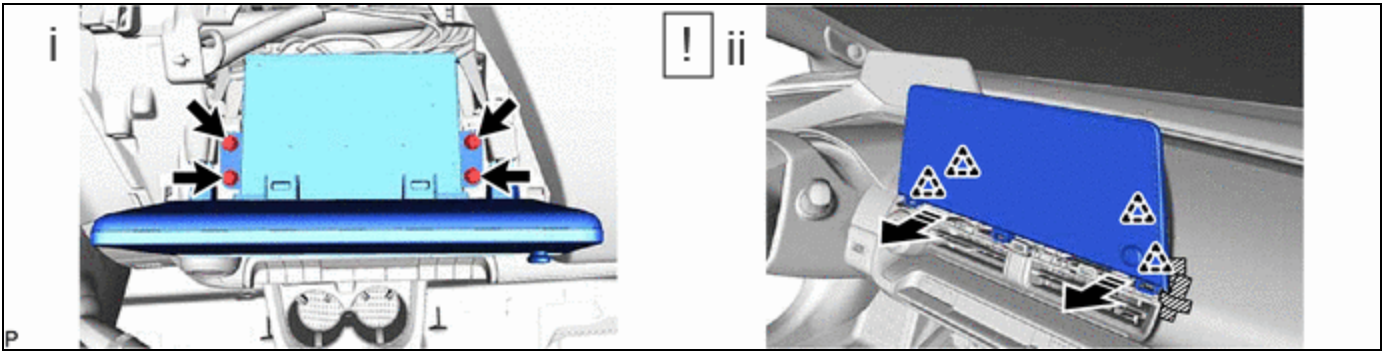
4. REMOVE RADIO AND DISPLAY RECEIVER ASSEMBLY WITH BRACKET


HINT:

The illustration shown is an example only. The illustration may differ from the actual parts according to the model.



(1) Apply protective tape to the area shown in the illustration.

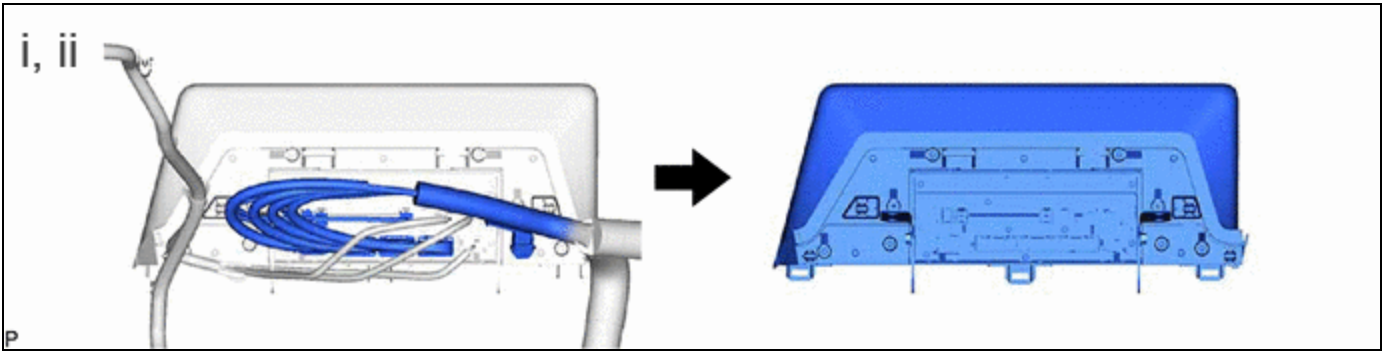


	Remove in this Direction	-	-
---	--------------------------	---	---

- (1) Remove the 4 bolts.
- (2) Disengage the 4 clips to separate the radio and display receiver assembly with bracket as shown in the illustration.

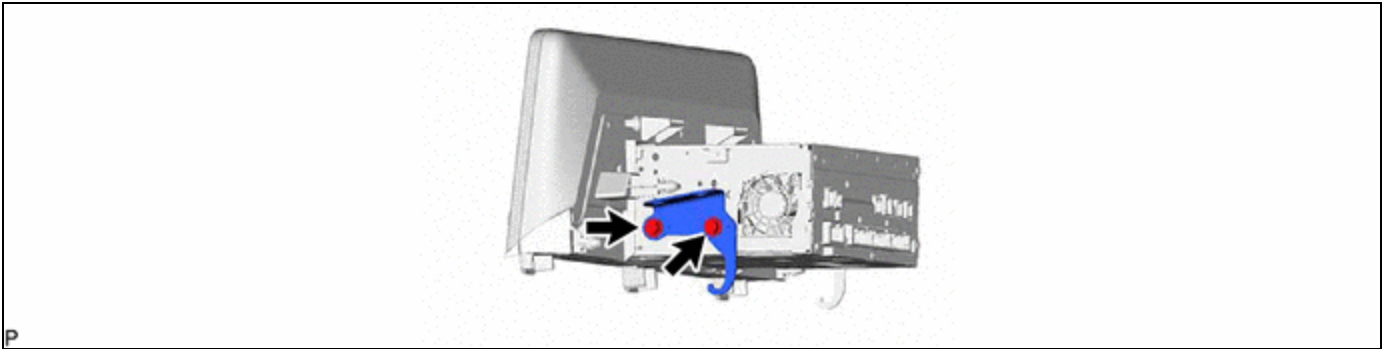
NOTICE:

As individually disengaging the left and right clips may damage the instrument panel safety pad sub-assembly, make sure to simultaneously disengage the 4 left and right clips.

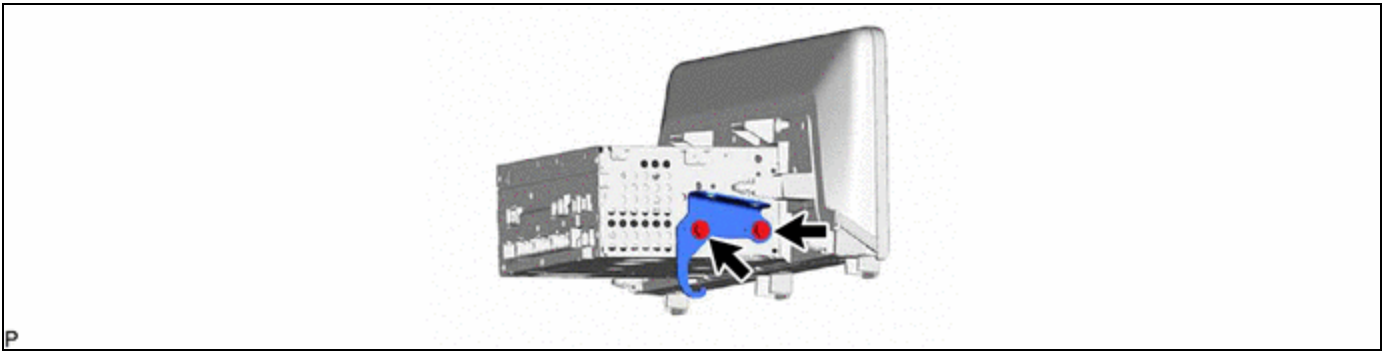


- (1) Disengage each clamp.
- (2) Disconnect each connector to remove the radio and display receiver assembly with bracket.

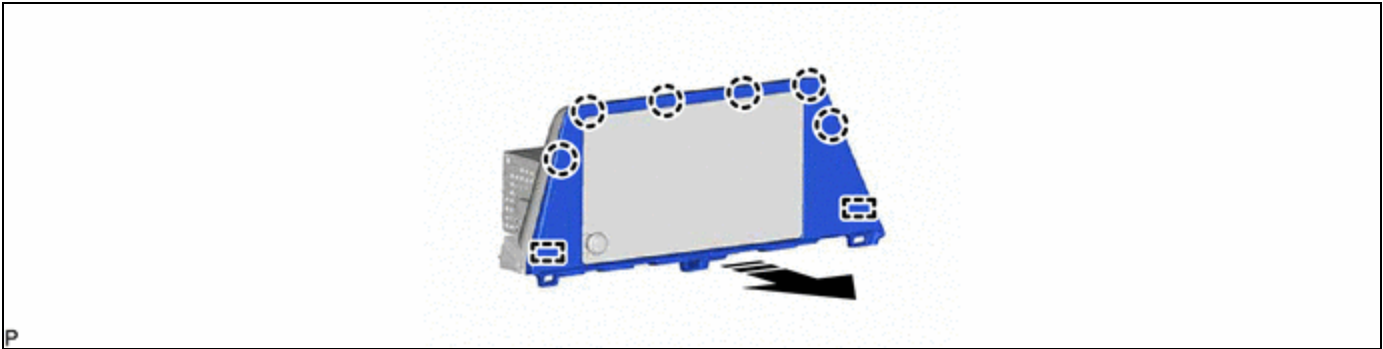
5. REMOVE NO. 1 RADIO RECEIVER BRACKET



6. REMOVE NO. 2 RADIO RECEIVER BRACKET



7. REMOVE RADIO TUNER FINISH PANEL (for 8 Inch Display)



8. REMOVE NO. 3 INSTRUMENT PANEL FINISH PANEL RETAINER (for 8 Inch Display)

