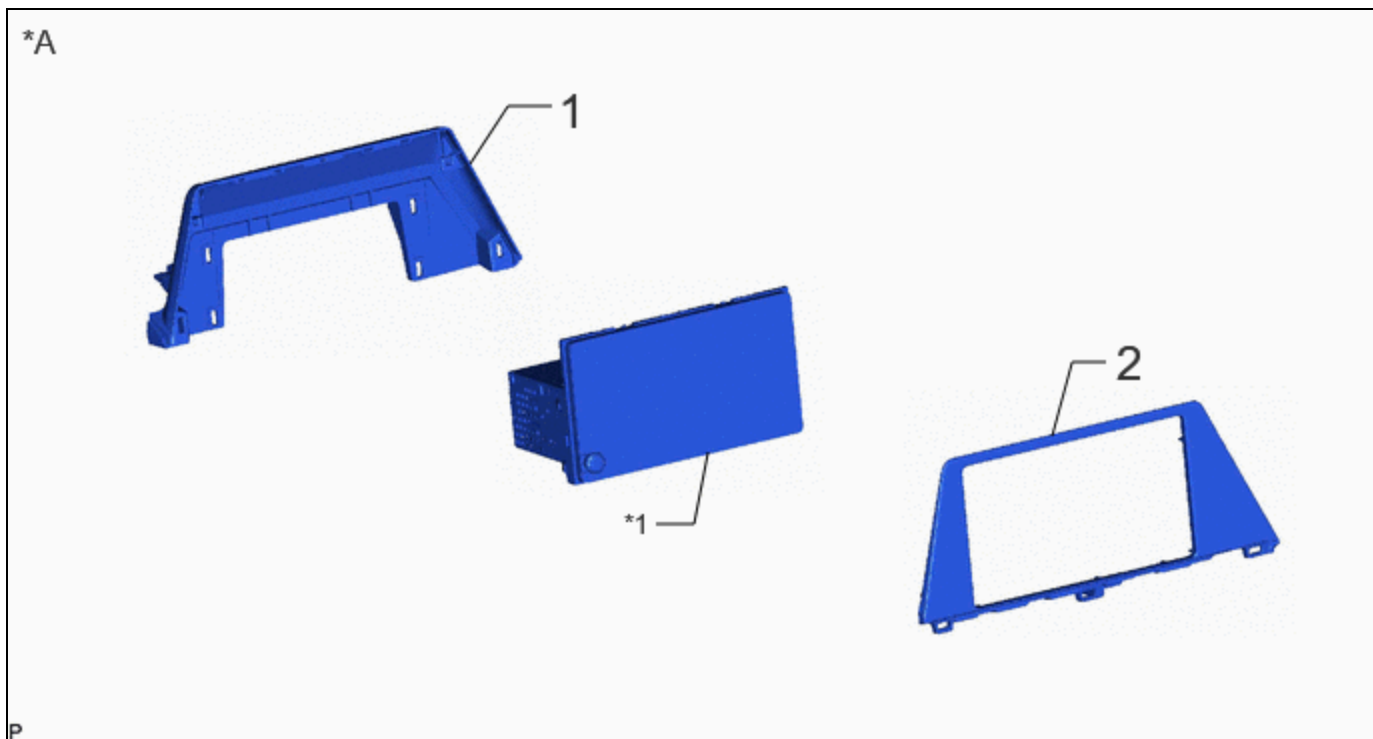


Last Modified: 12-04-2024	6.11:8.1.0	Doc ID: RM1000000029621
Model Year Start: 2023	Model: Prius Prime	Prod Date Range: [12/2022 -]
Title: AUDIO / VIDEO: RADIO RECEIVER: INSTALLATION; 2023 - 2024 MY Prius Prius Prime [12/2022 -]		

INSTALLATION

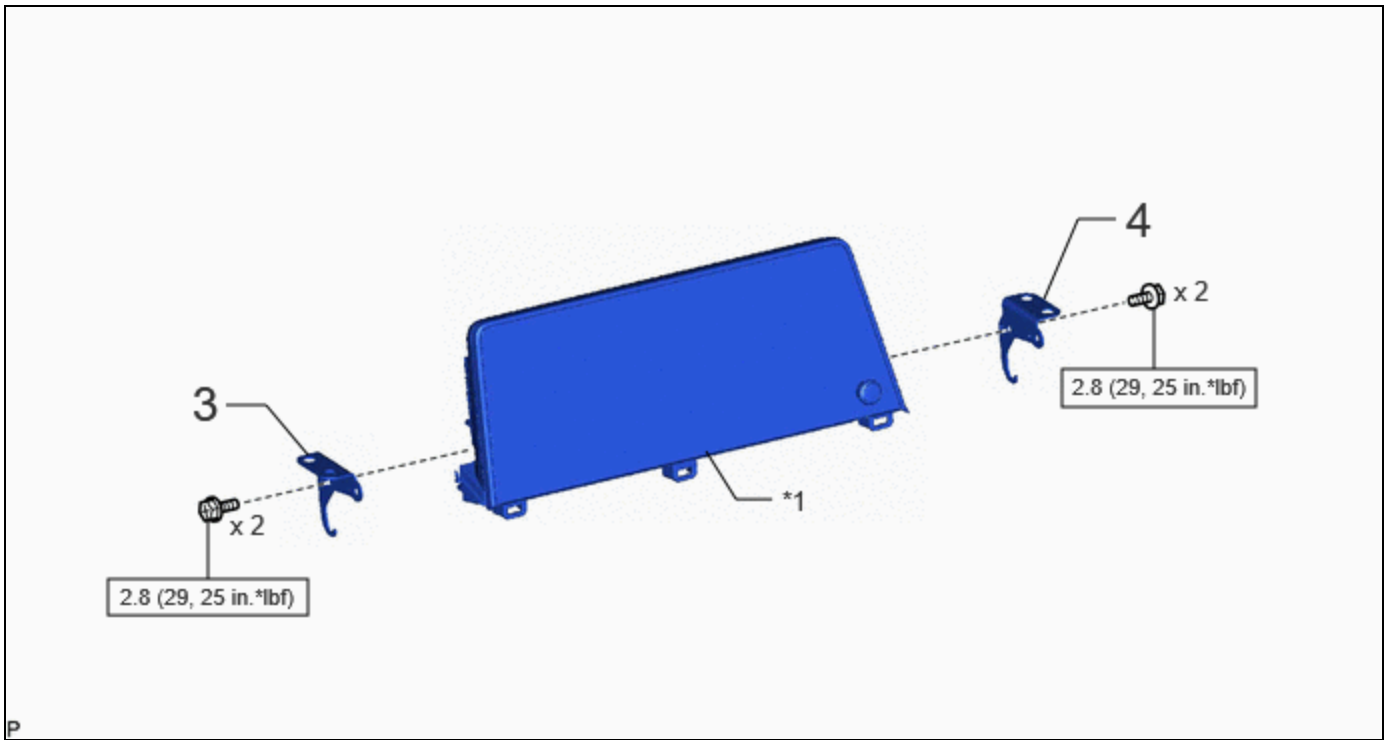
CAUTION / NOTICE / HINT




COMPONENTS (INSTALLATION)




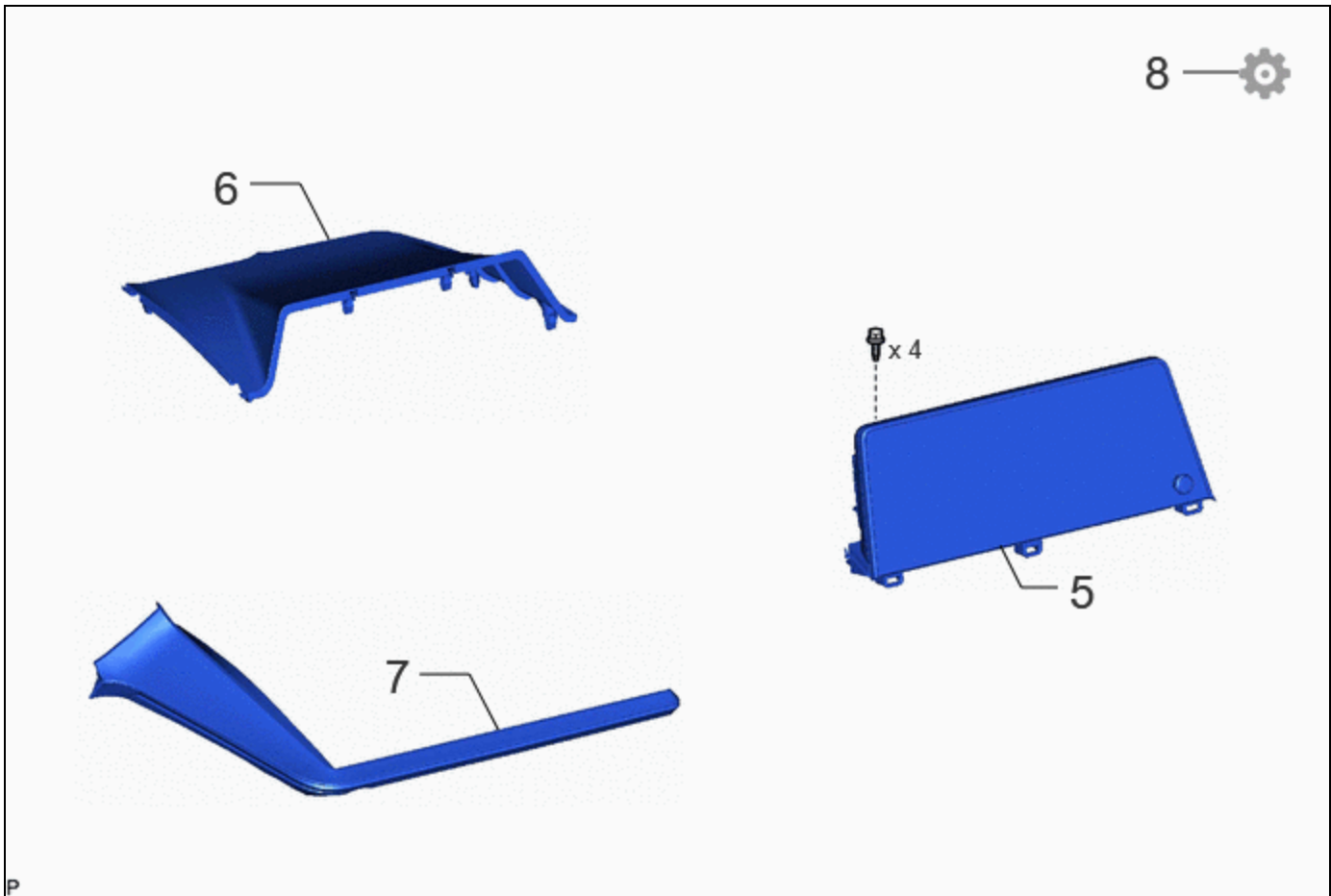
PROCEDURE		PART NAME CODE			
1	NO. 3 INSTRUMENT PANEL FINISH PANEL RETAINER	55439A	-	-	-
2	RADIO TUNER FINISH PANEL	55424C	-	-	-




*A	for 8 Inch Display	-	-
*1	RADIO AND DISPLAY RECEIVER ASSEMBLY	-	-



PROCEDURE		PART NAME CODE			
3	NO. 2 RADIO RECEIVER BRACKET	86212C	-	-	-
4	NO. 1 RADIO RECEIVER BRACKET	86211J	-	-	-

*1	RADIO AND DISPLAY RECEIVER ASSEMBLY	-	-
	N*m (kgf*cm, ft.*lbf): Specified torque	-	-



	PROCEDURE	PART NAME CODE			
5	RADIO AND DISPLAY RECEIVER ASSEMBLY WITH BRACKET	-	-	-	-
6	CENTER UPPER INSTRUMENT CLUSTER FINISH PANEL	55422C	-	-	-
7	CENTER INSTRUMENT CLUSTER FINISH PANEL ASSEMBLY	55420A	-	-	-
8	PERFORM REGISTRATION	-	-	-	INFO

PROCEDURE

1. INSTALL NO. 3 INSTRUMENT PANEL FINISH PANEL RETAINER

2. INSTALL RADIO TUNER FINISH PANEL

3. INSTALL NO. 2 RADIO RECEIVER BRACKET

Torque:

2.8 N·m {29 kgf·cm, 25 in·lbf}

4. INSTALL NO. 1 RADIO RECEIVER BRACKET

Torque:

2.8 N·m {29 kgf·cm, 25 in·lbf}

5. INSTALL RADIO AND DISPLAY RECEIVER ASSEMBLY WITH BRACKET

6. INSTALL CENTER UPPER INSTRUMENT CLUSTER FINISH PANEL

7. INSTALL CENTER INSTRUMENT CLUSTER FINISH PANEL ASSEMBLY

8. PERFORM REGISTRATION

HINT:

When replacing the radio and display receiver assembly, perform registration.

Click here [INFO](#)

