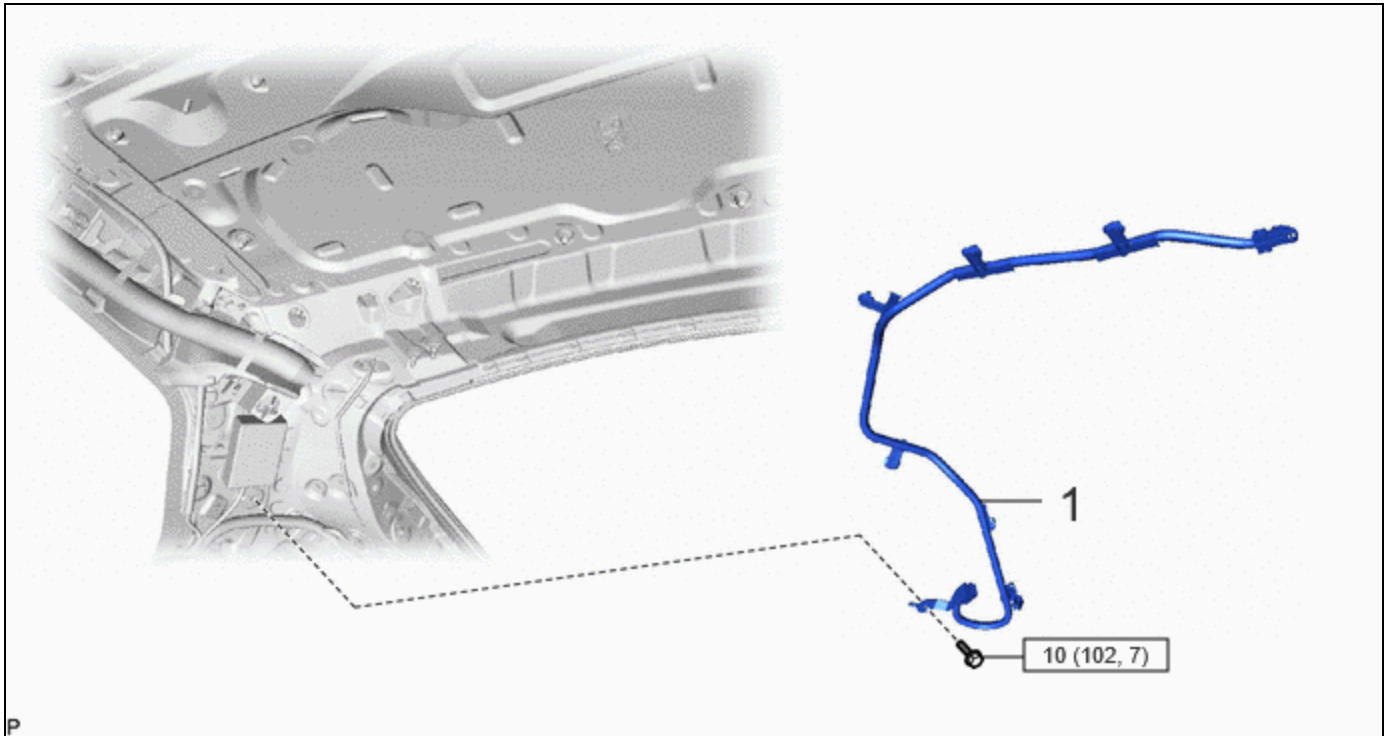


Last Modified: 12-04-2024	6.11:8.1.0	Doc ID: RM100000002962E
Model Year Start: 2023	Model: Prius Prime	Prod Date Range: [12/2022 -]
Title: AUDIO / VIDEO: RADIO ANTENNA CORD (for Roof): INSTALLATION; 2023 - 2024 MY Prius Prius Prime [12/2022 -]		

INSTALLATION

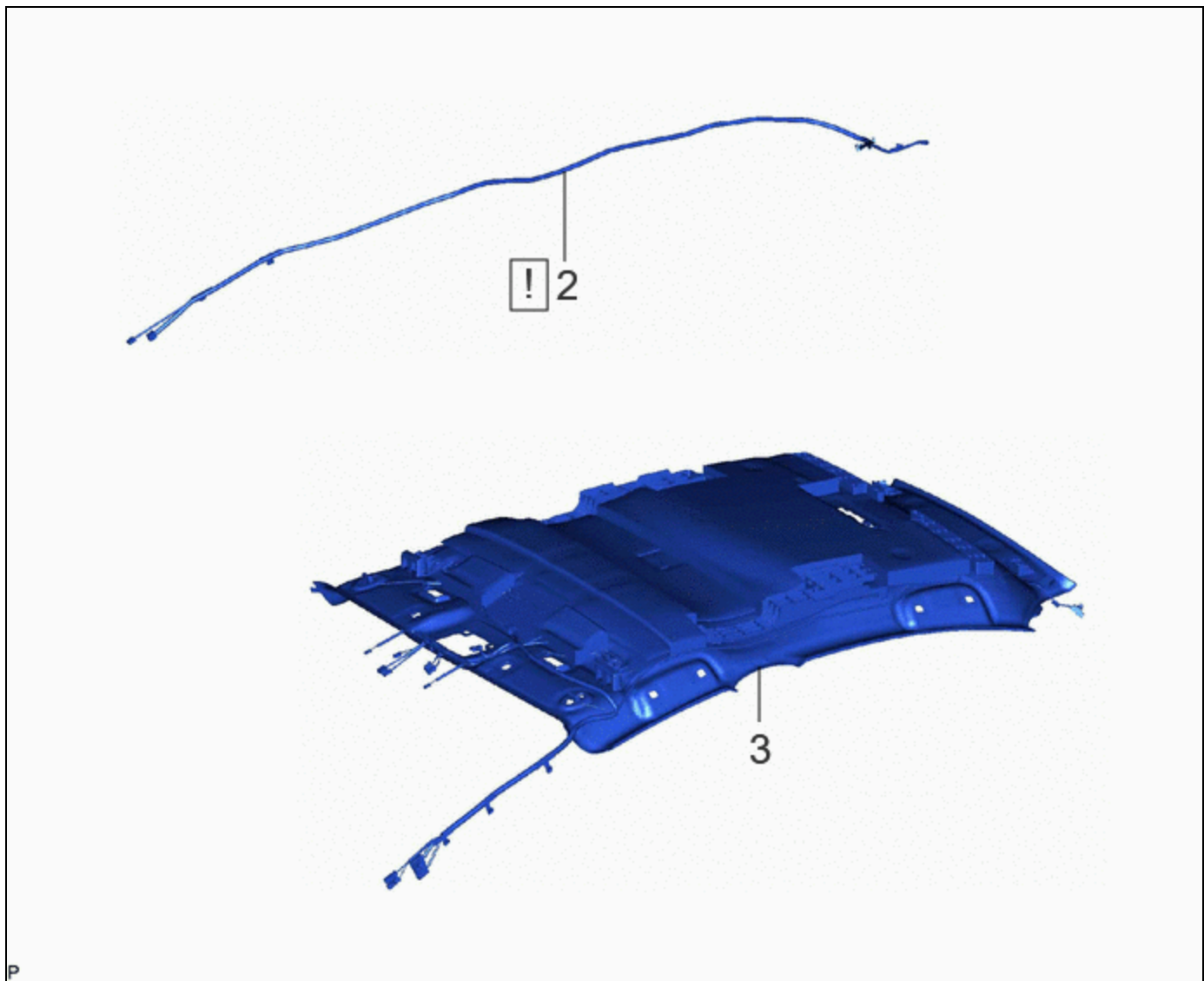
CAUTION / NOTICE / HINT

COMPONENTS (INSTALLATION)



PROCEDURE		PART NAME CODE			
1	ANTENNA CORD SUB-ASSEMBLY	86101	-	-	-

	N*m (kgf*cm, ft.*lbf): Specified torque	-	-
--	---	---	---



	PROCEDURE	PART NAME CODE			
2	NO. 3 ANTENNA CORD SUB-ASSEMBLY	86101D	INFO	-	-
3	ROOF HEADLINING ASSEMBLY	-	-	-	-

PROCEDURE

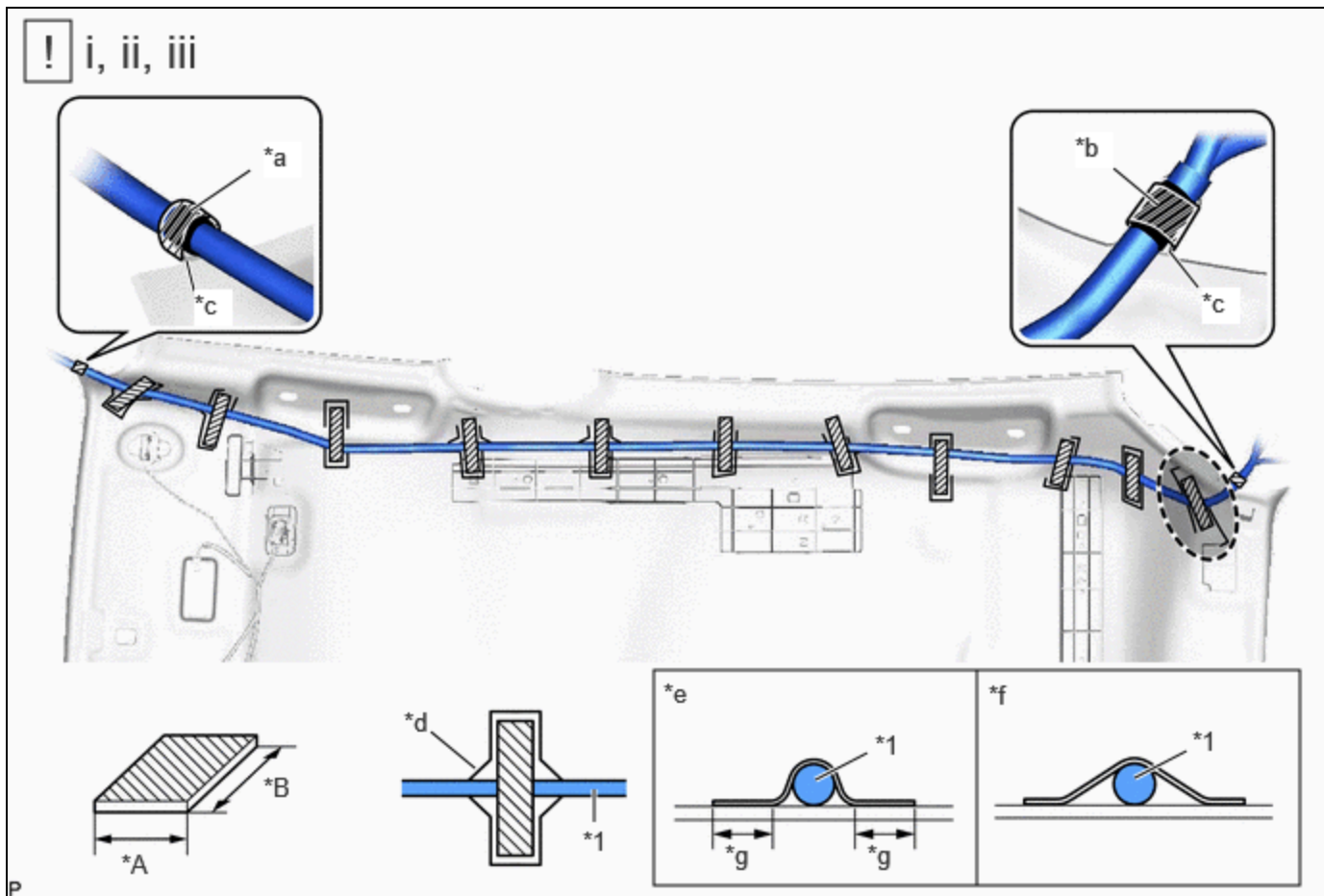
1. INSTALL ANTENNA CORD SUB-ASSEMBLY



Torque:

10 N·m {102 kgf·cm, 7 ft·lbf}

2. INSTALL NO. 3 ANTENNA CORD SUB-ASSEMBLY

(a) for Normal Roof:



*1	No. 3 Antenna Cord Sub-assembly	-	-
*a	Marking Tape (A)	*b	Marking Tape (B)
*c	Protrusion	*d	Marking
*e	Correct	*f	Incorrect
*g	10 mm (0.394 in.) or more	-	-
	Adhesive Tape		Adjustment Area

Adhesive Tape Size:

AREA	DIMENSION	AREA	DIMENSION
A	20 mm (0.787 in.)	B	80 mm (3.15 in.) or more

- (1) Align the marking tape (A) on the No. 3 antenna cord sub-assembly with the protrusion on the front of the roof headlining assembly and wrap tape around the No. 3 antenna cord sub-assembly and protrusion of the roof headlining assembly.
- (2) Align the marking tape (B) on the No. 3 antenna cord sub-assembly with the protrusion on the rear of the roof headlining assembly and wrap tape around the No. 3 antenna cord sub-assembly and protrusion of the roof headlining assembly.
- (3) Install the No. 3 antenna cord sub-assembly with adhesive tape.

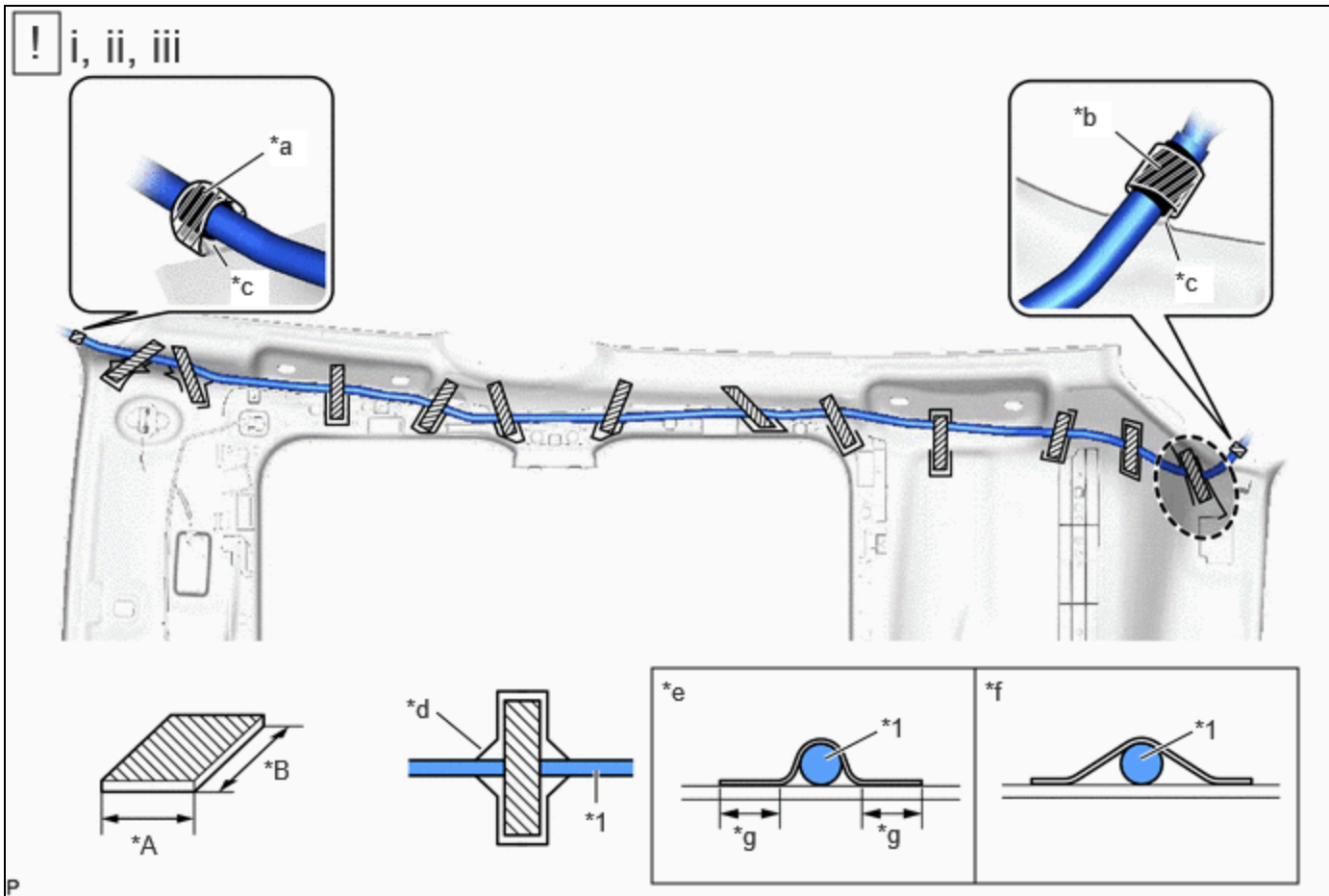
NOTICE:



- Apply the tape securely in place.
- Do not touch the adhesive surface when applying the tape to prevent adhesion failure.

HINT:

Secure the extra length of the No. 3 antenna cord sub-assembly in the adjustment area.

(b) for Panoramic Moon Roof:



*1	No. 3 Antenna Cord Sub-assembly	-	-
*a	Marking Tape (A)	*b	Marking Tape (B)
*c	Protrusion	*d	Marking
*e	Correct	*f	Incorrect
*g	10 mm (0.394 in.) or more	-	-
	Adhesive Tape		Adjustment Area

Adhesive Tape Size:

AREA	DIMENSION	AREA	DIMENSION
A	20 mm (0.787 in.)	B	80 mm (3.15 in.) or more

- (1) Align the marking tape (A) on the No. 3 antenna cord sub-assembly with the protrusion on the front of the roof headlining assembly and wrap tape around the No. 3 antenna cord sub-assembly and protrusion of the roof headlining assembly.
- (2) Align the marking tape (B) on the No. 3 antenna cord sub-assembly with the protrusion on the rear of the roof headlining assembly and wrap tape around the No. 3 antenna cord sub-assembly and protrusion of the roof headlining assembly.

(3) Install the No. 3 antenna cord sub-assembly with adhesive tape.

NOTICE:

- Apply the tape securely in place.
- Do not touch the adhesive surface when applying the tape to prevent adhesion failure.

HINT:

Secure the extra length of the No. 3 antenna cord sub-assembly in the adjustment area.

3. INSTALL ROOF HEADLINING ASSEMBLY

Click here 

