

Last Modified: 12-04-2024	6.11:8.1.0	Doc ID: RM10000002BLBR
Model Year Start: 2023	Model: Prius Prime	Prod Date Range: [03/2023 -]
Title: AUDIO / VIDEO: RADIO ANTENNA CORD (for Back Door): REMOVAL; 2023 - 2024 MY Prius Prius Prime [03/2023 -]		

REMOVAL

CAUTION / NOTICE / HINT

The necessary procedures (adjustment, calibration, initialization or registration) that must be performed after parts are removed and installed, or replaced during antenna cord sub-assembly removal/installation are shown below.

Necessary Procedures After Parts Removed/Installed/Replaced

REPLACED PART OR PERFORMED PROCEDURE	NECESSARY PROCEDURE	EFFECT/INOPERATIVE FUNCTION WHEN NECESSARY PROCEDURE NOT PERFORMED	LINK
w/ Occupant Classification System: Front passenger seat*	Zero point calibration (Occupant classification system)	<ul style="list-style-type: none"> • Occupant Classification System • Passenger airbag ON/OFF indicator • Airbag System (Front passenger side) • Seat Belt Warning System (Front passenger) 	INFO
*: Even when not replacing the part, it is necessary to perform the specified necessary procedures after installation.			

CAUTION:

Be sure to read Precaution thoroughly before servicing.



Click here [INFO](#)

NOTICE:

After the ignition switch is turned off, there may be a waiting time before disconnecting the negative (-) auxiliary battery terminal.

Click here [INFO](#)

HINT:

When the cable is disconnected / reconnected to the auxiliary battery terminal, systems temporarily stop operating. However, each system has a function that completes learning the first time the system is used.

Learning completes when vehicle is driven

EFFECT/INOPERATIVE FUNCTION WHEN NECESSARY PROCEDURES ARE NOT PERFORMED	NECESSARY PROCEDURES	LINK
Front Camera System	Drive the vehicle straight ahead at 35 km/h (22 mph) or more for 5 seconds or more.	INFO

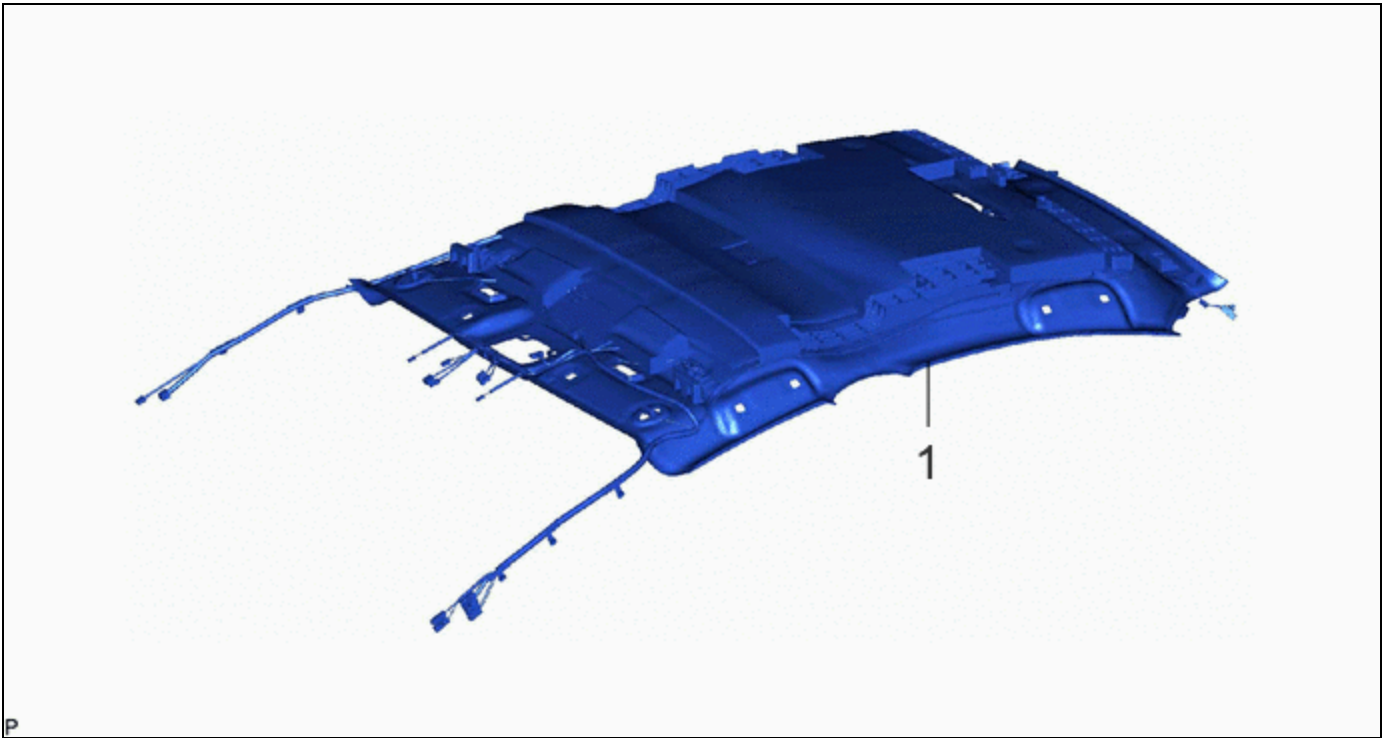
Learning completes when vehicle is operated normally




*1: w/o Power Back Door System

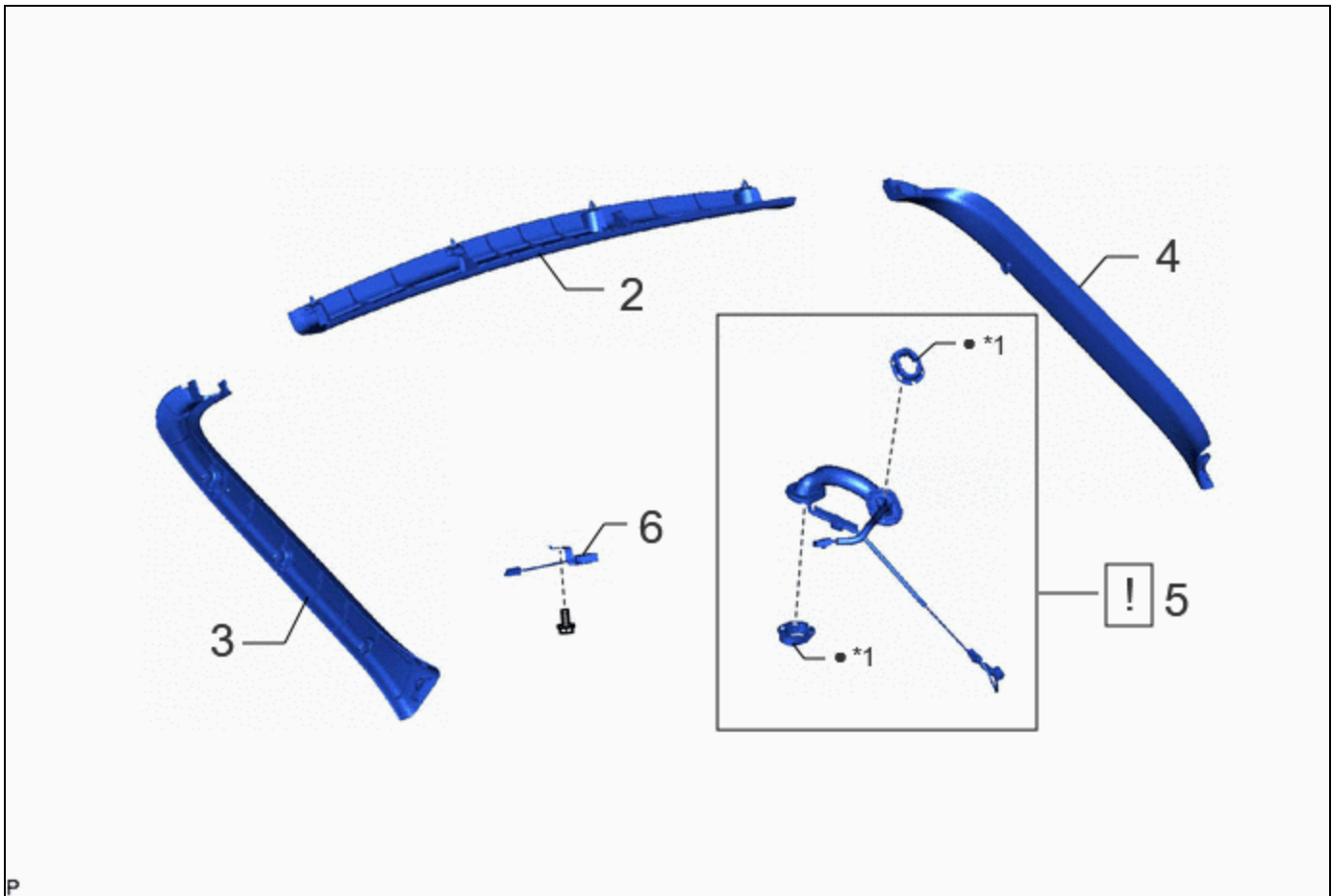
EFFECT/INOPERATIVE FUNCTION WHEN NECESSARY PROCEDURES ARE NOT PERFORMED	NECESSARY PROCEDURES	LINK
Power Door Lock Control System*1 <ul style="list-style-type: none"> Back door opener 	Perform door unlock operation with door control switch or electrical key transmitter sub-assembly switch.	INFO
Power Back Door System*2	Reset back door close position	INFO
Air Conditioning System	<p>for HEV Model:</p> <p>After the ignition switch is turned to ON, the servo motor standard position is recognized.</p> <p>for PHEV Model:</p> <p>After the ignition switch is turned to ON, the servo motor and expansion valve standard position is recognized.</p>	-
<p>*1: w/o Power Back Door System</p> <p>*2: w/ Power Back Door System</p>		

CAUTION / NOTICE / HINT

COMPONENTS (REMOVAL)



PROCEDURE	PART NAME CODE			
1 ROOF HEADLINING ASSEMBLY	-	-	-	-



PROCEDURE	PART NAME CODE			
2 BACK DOOR UPPER TRIM PANEL ASSEMBLY	64790B	-	-	-
3 BACK DOOR SIDE GARNISH LH	67938A	-	-	-
4 BACK DOOR SIDE GARNISH RH	67937B	-	-	-
5 NO. 4 ANTENNA CORD SUB-ASSEMBLY	86101Q	INFO	-	-
6 NO. 5 ANTENNA CORD SUB-ASSEMBLY	86101R	-	-	-

*1	NO. 1 WIRING HARNESS PROTECTOR	-	-
•	Non-reusable part	-	-

PROCEDURE

1. REMOVE ROOF HEADLINING ASSEMBLY

Click here [INFO](#)

2. REMOVE BACK DOOR UPPER TRIM PANEL ASSEMBLY

Click here [INFO](#)


3. REMOVE BACK DOOR SIDE GARNISH LH

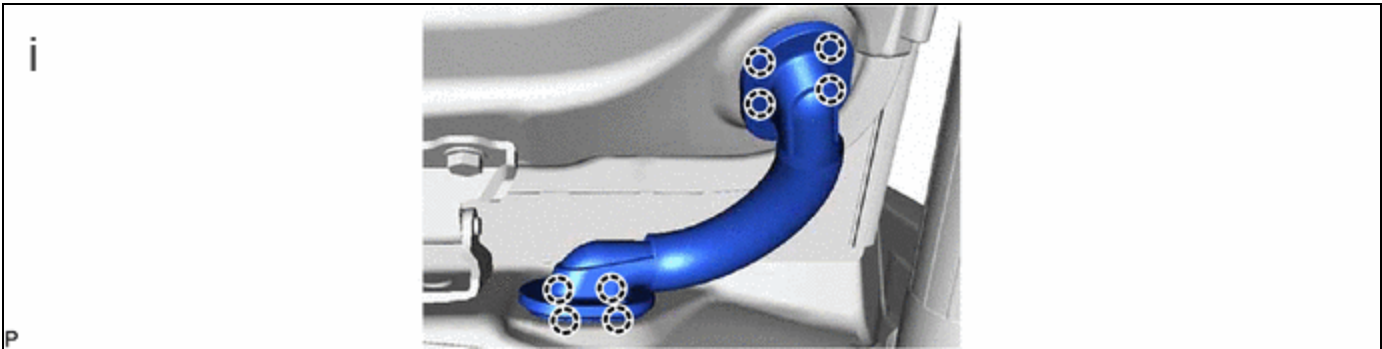
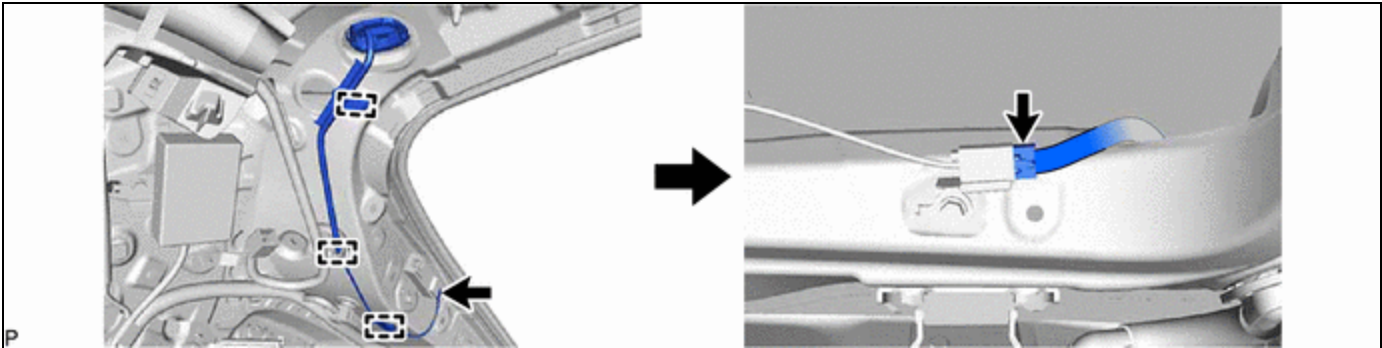
Click here [INFO](#)

4. REMOVE BACK DOOR SIDE GARNISH RH

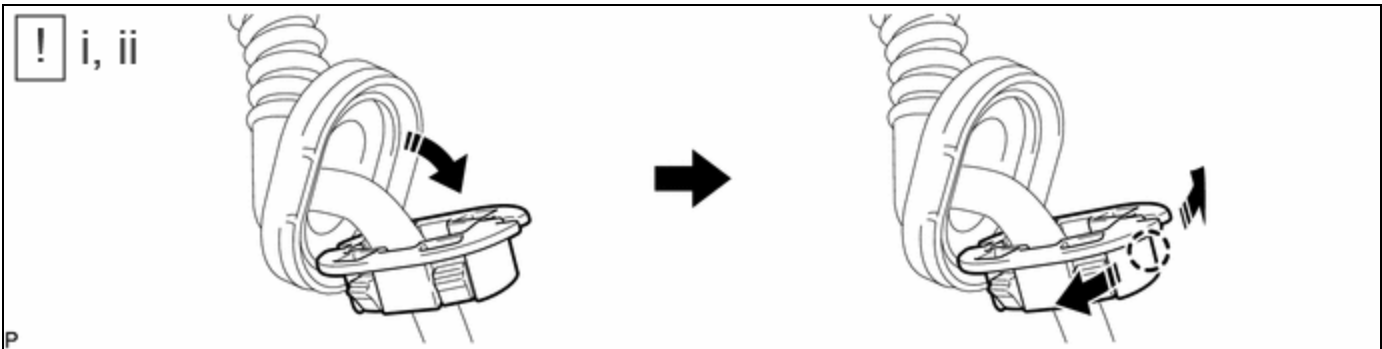
(a) Use the same procedure as for the LH side.

5. REMOVE NO. 4 ANTENNA CORD SUB-ASSEMBLY

	<p>NOTICE:</p> <p>When reusing the No. 4 antenna cord sub-assembly, make sure to replace the No. 1 wire harness protector with new ones as reusing them may cause water ingress.</p>
---	---



(1) Disengage the 8 claws to separate the 2 grommets.



	Remove in this Direction	-	-
---	--------------------------	---	---

- (1) Separate the No. 1 wiring harness protector from the grommet as shown in the illustration.
- (2) Disengage the claw as shown in the illustration and remove the No. 1 wiring harness protector.

6. REMOVE NO. 5 ANTENNA CORD SUB-ASSEMBLY

