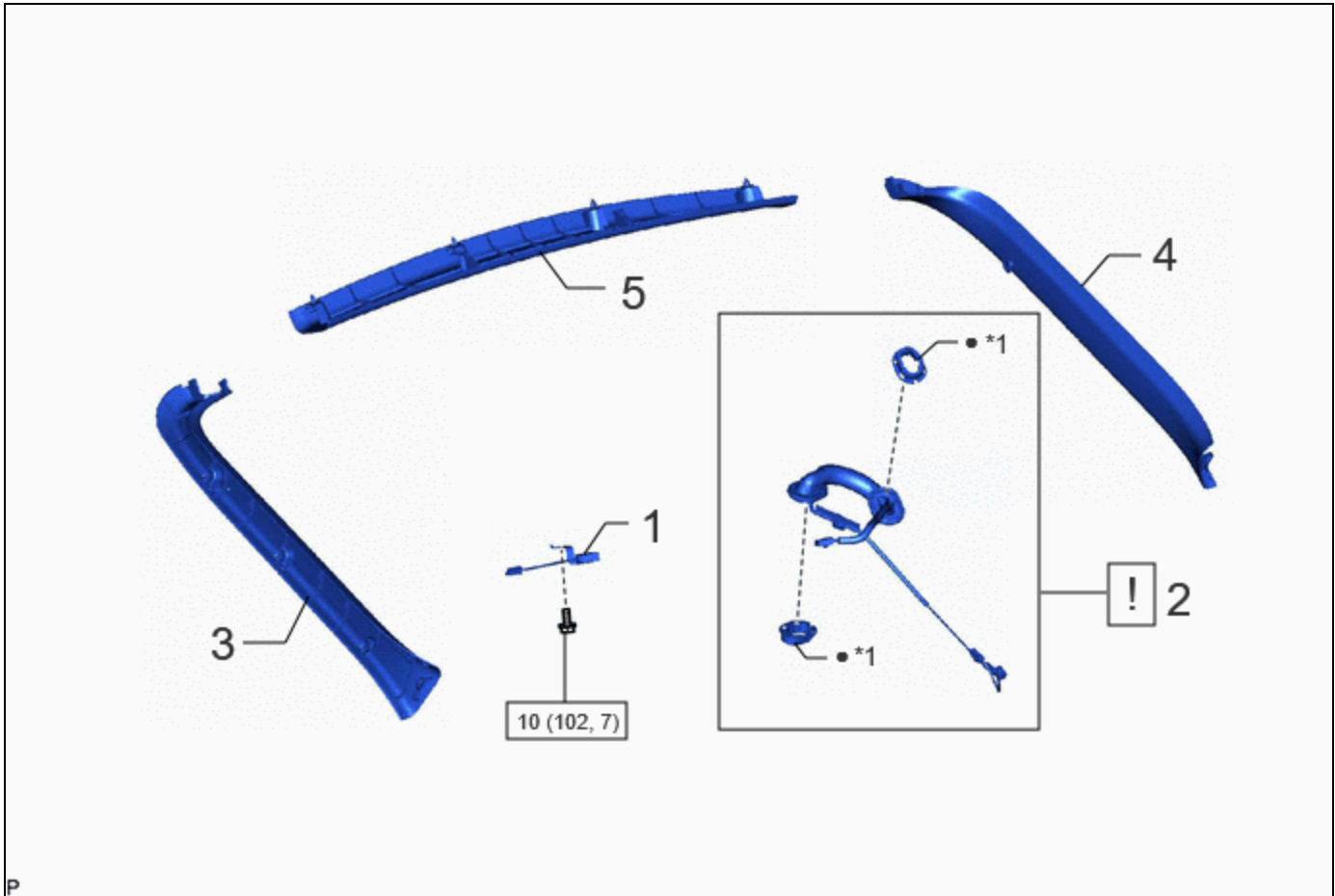


<b>Last Modified:</b> 12-04-2024	6.11:8.1.0	<b>Doc ID:</b> RM100000002962G
<b>Model Year Start:</b> 2023	<b>Model:</b> Prius Prime	<b>Prod Date Range:</b> [12/2022 - ]
<b>Title:</b> AUDIO / VIDEO: RADIO ANTENNA CORD (for Back Door): INSTALLATION; 2023 - 2024 MY Prius Prius Prime [12/2022 - ]		


## INSTALLATION

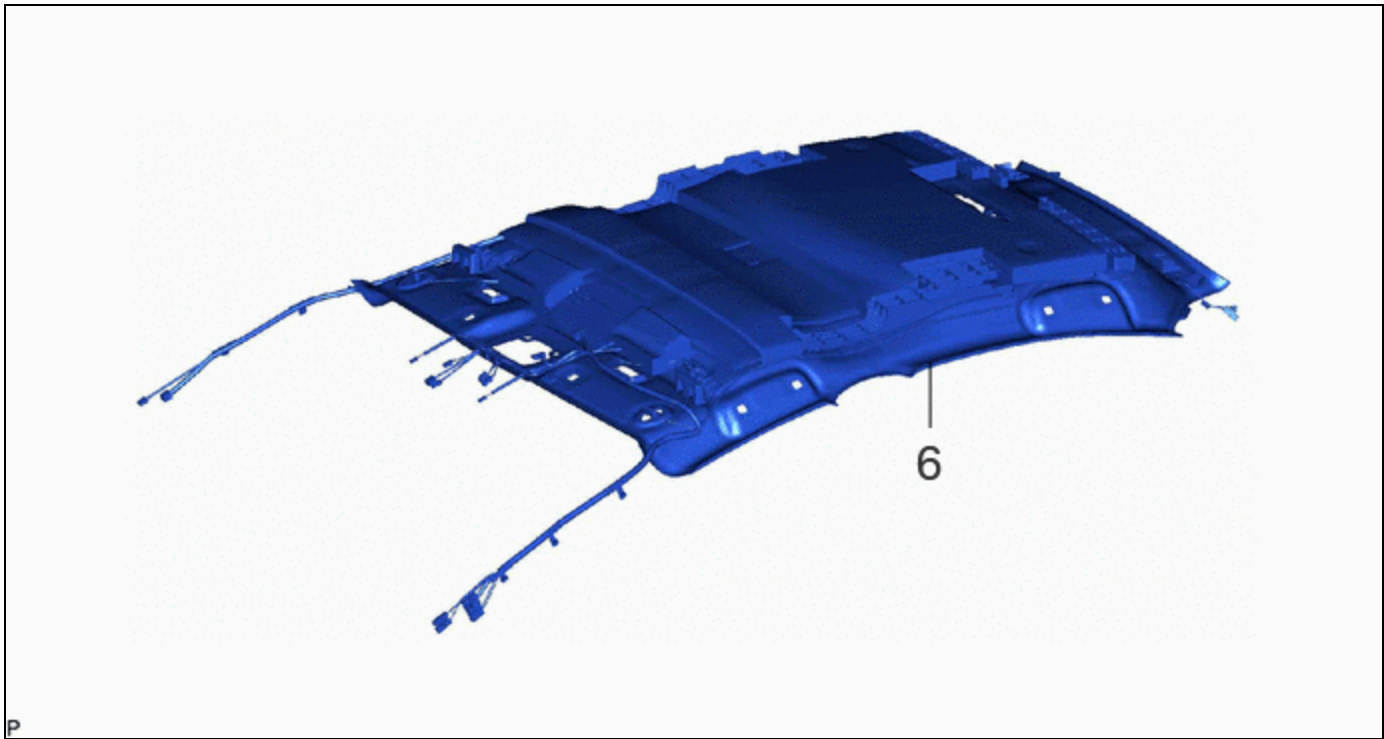
### CAUTION / NOTICE / HINT

#### COMPONENTS (INSTALLATION)



PROCEDURE		PART NAME CODE			
1	NO. 5 ANTENNA CORD SUB-ASSEMBLY	86101R	-	-	-
2	NO. 4 ANTENNA CORD SUB-ASSEMBLY	86101Q		-	-
3	BACK DOOR SIDE GARNISH LH	67938A	-	-	-
4	BACK DOOR SIDE GARNISH RH	67937B	-	-	-
5	BACK DOOR UPPER TRIM PANEL ASSEMBLY	64790B	-	-	-

*1	NO. 1 WIRING HARNESS PROTECTOR	-	-
	N*m (kgf*cm, ft.*lbf): Specified torque	•	Non-reusable part



PROCEDURE	PART NAME CODE			
6 ROOF HEADLINING ASSEMBLY	-	-	-	-


## PROCEDURE

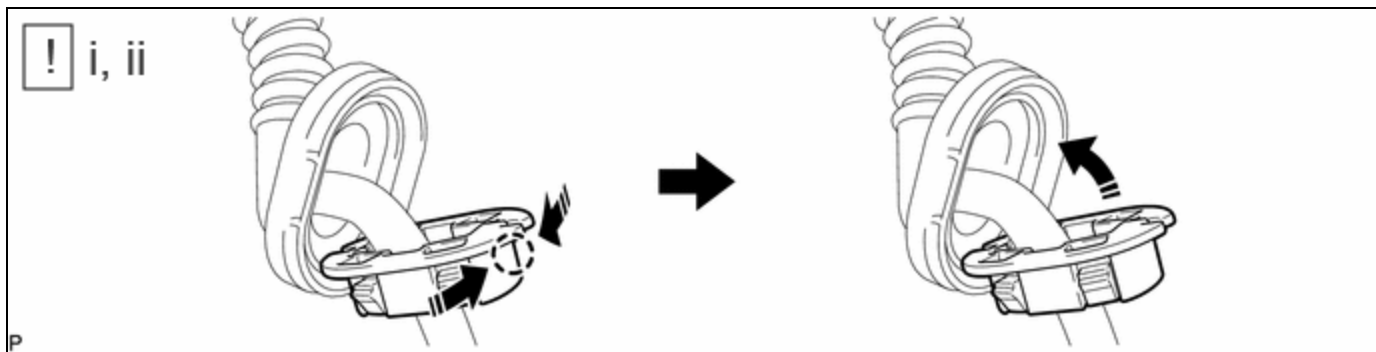
### 1. INSTALL NO. 5 ANTENNA CORD SUB-ASSEMBLY


**Torque:**

**10 N·m {102 kgf·cm, 7 ft·lbf}**

### 2. INSTALL NO. 4 ANTENNA CORD SUB-ASSEMBLY

	<p><b>NOTICE:</b></p> <p>When reusing the No. 4 antenna cord sub-assembly, make sure to replace the No. 1 wire harness protector with new ones as reusing them may cause water ingress.</p>
---	---



	Install in this Direction	-	-
---	---------------------------	---	---

- (1) Engage the claw as shown in the illustration to temporarily install a new No. 1 wiring harness protector.
- (2) Install the No. 1 wiring harness protector to the grommet as shown in the illustration.

**3. INSTALL BACK DOOR SIDE GARNISH LH**

**4. INSTALL BACK DOOR SIDE GARNISH RH**

**5. INSTALL BACK DOOR UPPER TRIM PANEL ASSEMBLY**

**6. INSTALL ROOF HEADLINING ASSEMBLY**

Click here [INFO](#)

