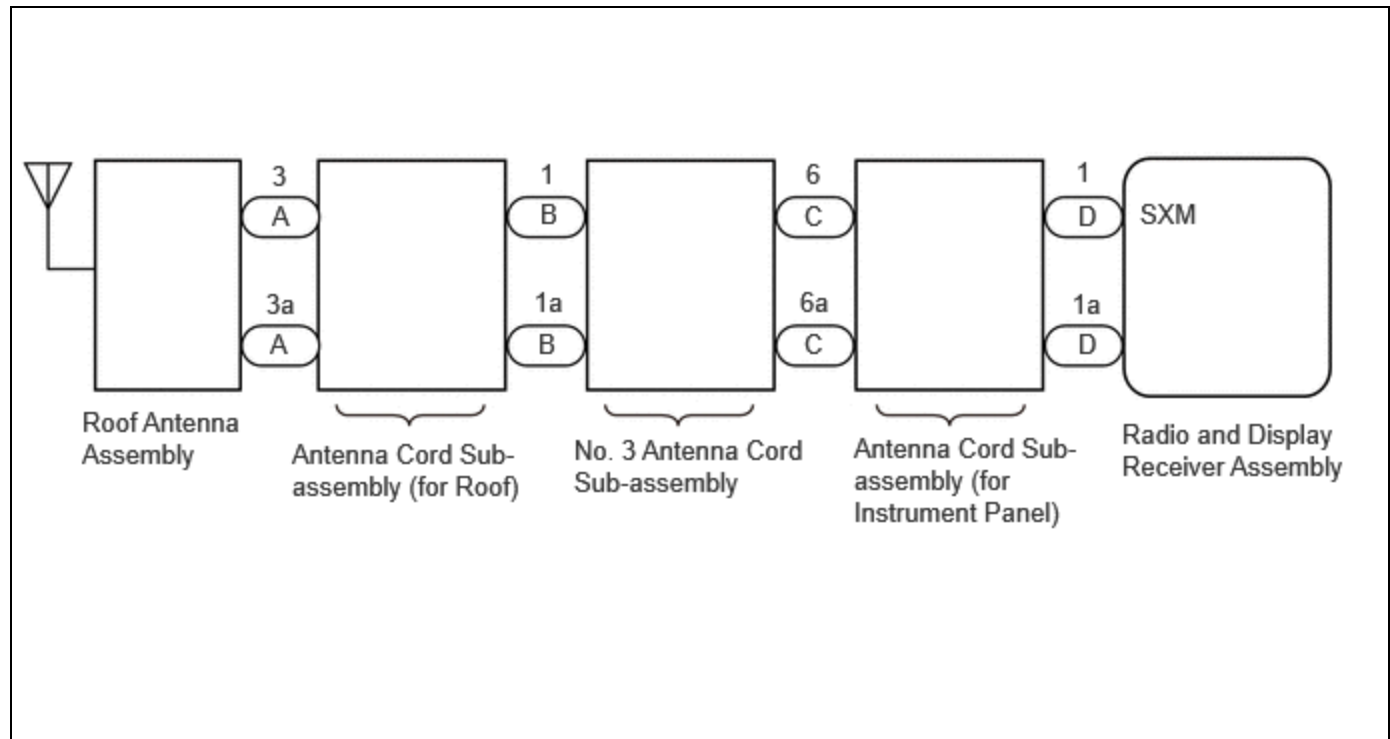


Last Modified: 12-04-2024	6.11:8.1.0	Doc ID: RM1000000291YG
Model Year Start: 2023	Model: Prius Prime	Prod Date Range: [12/2022 -]
Title: AUDIO / VIDEO: AUDIO AND VISUAL SYSTEM: Satellite Radio Broadcast cannot be Received; 2023 - 2024 MY Prius Prius Prime [12/2022 -]		

Satellite Radio Broadcast cannot be Received

WIRING DIAGRAM



CAUTION / NOTICE / HINT

NOTICE:

Some satellite radio broadcasts require payment. A contract must be made between a satellite radio company and the user. If the contract expires, it will not be possible to listen to the broadcast.

HINT:

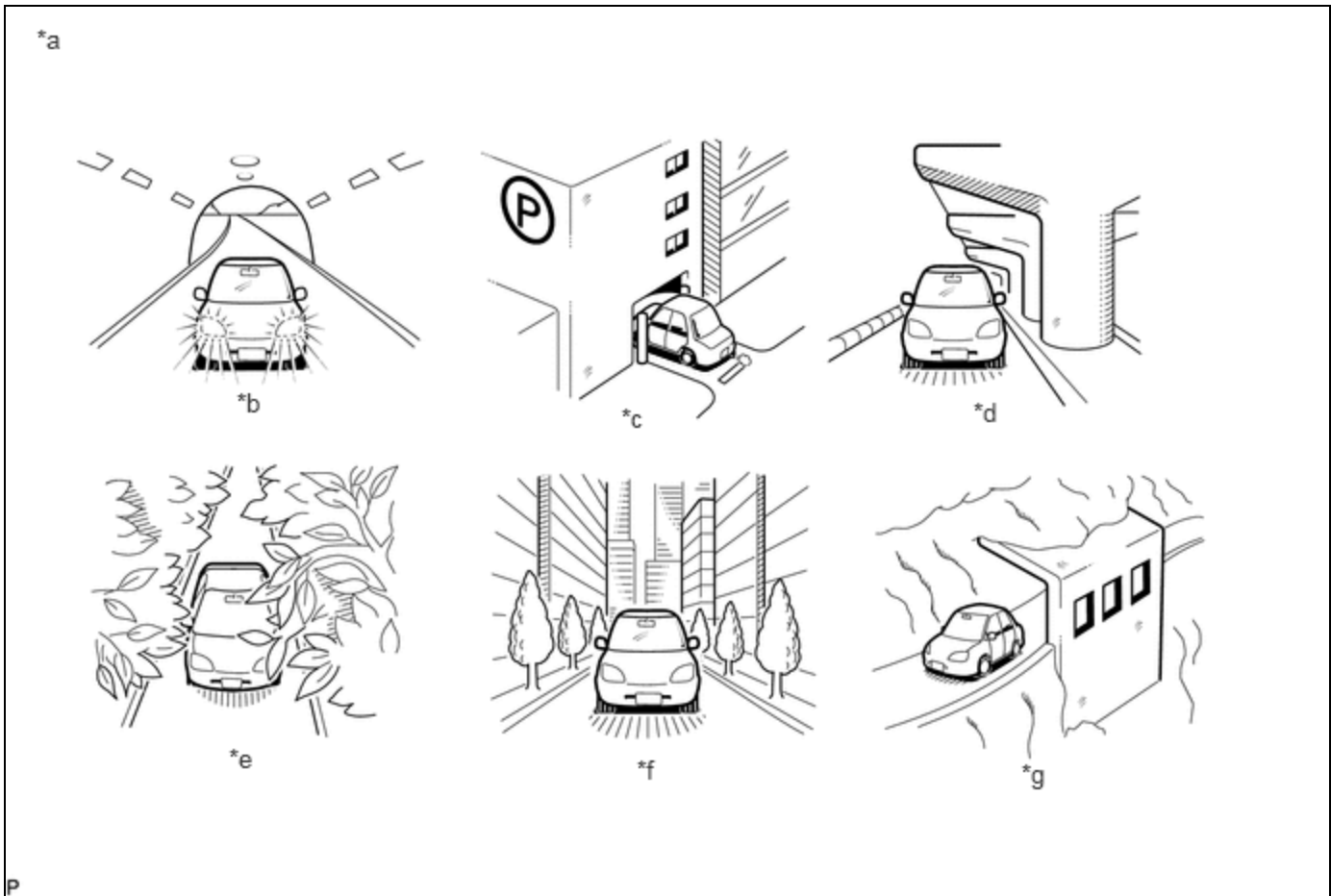
Depending on the parts that are replaced during vehicle inspection or maintenance, performing initialization, registration or calibration may be needed. Refer to Precaution for Audio and Visual System.

Click here [INFO](#)

PROCEDURE

1.	CHECK SURROUNDINGS
-----------	---------------------------

- (a) Check if the vehicle is in an environment where reception is difficult due to something blocking the area above the vehicle.



*a	Example	*b	In a tunnel
*c	In a building	*d	Under an overpass
*e	In a forest or on tree-lined path	*f	Between tall buildings
*g	Under a cliff or overhang	-	-

HINT:

If the area above the vehicle is blocked, such as when in a building or tunnel, reception may not be possible.

OK:

Area above vehicle is not blocked.

NG END (MOVE VEHICLE TO LOCATION WHERE RECEPTION IS BETTER)

OK



2. CHECK RADIO AND DISPLAY RECEIVER ASSEMBLY

(a) Check if CH001 (free broadcast) can be received.

OK:

CH001 can be received.

NG  **GO TO STEP 6**


OK



3.	CHECK DISPLAY SETTING
-----------	------------------------------

(a) Check the display screen.

RESULT	PROCEED TO
"SAT Ch Unauth" is displayed.	A
"-----" is displayed.	B
None of the displays above are shown.	C

B  **THERE IS NO SONG/PROGRAM TITLE OR ARTIST NAME/FEATURE ASSOCIATED WITH CHANNEL AT THAT TIME**

C  **GO TO STEP 6**

A



4.	CHECK CONTRACT CONDITIONS
-----------	----------------------------------

(a) Check if the pay-type contract has been extended, or if the contract period has ended.

OK:

Pay-type contract is valid.

NG  **TO RECEIVE PAY-TYPE BROADCASTS, CONTRACT MUST BE MADE WITH SATELLITE RADIO COMPANY**

OK



5. PERFORM ACTIVATION REFRESH

(a) Perform activation refresh by referring to the satellite radio company website (<http://www.siriusxm.com>).

OK:

Malfunction disappears.

HINT:

The SiriusXM radio ID that is necessary to perform activation refresh is displayed when CH000 is selected on the satellite radio.

OK ► END

NG ► PROCEED TO NEXT SUSPECTED AREA SHOWN IN PROBLEM SYMPTOMS TABLE INFO

6. CHECK DISPLAY

(a) Check the display screen.

RESULT	PROCEED TO
"SAT Ck Antenna" is displayed.	A
"SAT No Signal" is displayed.	B
"Loading" is displayed.	
"SAT Ch Off Air" is displayed.	C
After "SAT Ch Unavail" is displayed, display automatically switches to CH001.	D
None of the displays above are shown.	E

B ► END (MOVE VEHICLE TO LOCATION WHERE RECEPTION IS BETTER)

C ► CHANNEL IS CURRENTLY NOT BEING BROADCASTED. BROADCAST CAN BE LISTENED TO OR VIEWED WHEN IT IS BACK ON AIR. (CHECK WITH RADIO STATION)

D ► CHANNEL BROADCAST HAS ENDED (CHECK WITH RADIO STATION)

E ► GO TO STEP 11

A



7.	CHECK ANTENNA CORD SUB-ASSEMBLY (for Roof)
-----------	---

Click here [INFO](#)

NG **REPLACE ANTENNA CORD SUB-ASSEMBLY (for Roof)**

[INFO](#)

OK



8.	CHECK NO. 3 ANTENNA CORD SUB-ASSEMBLY
-----------	--

Click here [INFO](#)

NG **REPLACE ANTENNA CORD SUB-ASSEMBLY (for Type A)**

[INFO](#)

OK



9.	CHECK ANTENNA CORD SUB-ASSEMBLY (for Instrument Panel)
-----------	---

Click here [INFO](#)

NG **REPLACE ANTENNA CORD SUB-ASSEMBLY (for Instrument Panel)**

[INFO](#)

OK



10.	REPLACE ROOF ANTENNA ASSEMBLY
------------	--------------------------------------

(a) Replace the roof antenna assembly with a new or known good one.

Click here 

(b) Clear the DTCs.

Body Electrical > Navigation System > Trouble Codes

(c) Check for DTCs.

Body Electrical > Navigation System > Trouble Codes

OK:

No DTCs are output.

OK ▶ **END (NO. 1 AMPLIFIER ANTENNA ASSEMBLY IS DEFECTIVE)**

NG ▶ **PROCEED TO NEXT SUSPECTED AREA SHOWN IN PROBLEM SYMPTOMS TABLE** 

11.	CHECK CURRENTLY SELECTED CHANNEL
------------	---

(a) Check if CH000 is currently selected.

OK:

CH000 is selected.

OK ▶ **END (CH000 HAS NO SOUND. SELECT ANOTHER CHANNEL.)**

NG ▶ **PROCEED TO NEXT SUSPECTED AREA SHOWN IN PROBLEM SYMPTOMS TABLE** 

