

Last Modified: 12-04-2024	6.11:8.1.0	Doc ID: RM1000000291YI
Model Year Start: 2023	Model: Prius Prime	Prod Date Range: [12/2022 -]
Title: AUDIO / VIDEO: AUDIO AND VISUAL SYSTEM: Radio Broadcast cannot be Received or Poor Reception; 2023 - 2024 MY Prius Prius Prime [12/2022 -]		

Radio Broadcast cannot be Received or Poor Reception

CAUTION / NOTICE / HINT

HINT:

Depending on the parts that are replaced during vehicle inspection or maintenance, performing initialization, registration or calibration may be needed. Refer to Precaution for Audio and Visual System.

Click here [INFO](#)

PROCEDURE

1. CHECK RADIO AND DISPLAY RECEIVER ASSEMBLY

(a) Check the radio automatic station search function by activating it.

OK:

Automatic station search function stops on a station.

OK ► **USE SIMULATION METHOD TO CHECK**

NG



2. CHECK OPTIONAL COMPONENTS

(a) Check if any optional components that may decrease reception capacity, such as sunshade film or a telephone antenna, are installed.

OK:

Optional components are not installed.

NOTICE:

Do not remove optional components without the permission of the customer.

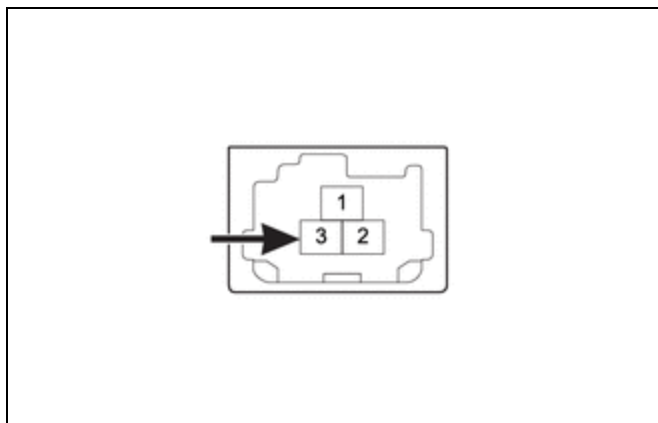
NG ► **REMOVE OPTIONAL COMPONENTS AND CHECK AGAIN
(SEE NOTICE ABOVE)**

OK



3. CHECK RADIO AND DISPLAY RECEIVER ASSEMBLY**(a) Preparation for check**

- (1) Disconnect the RA radio and display receiver assembly connector.

**(b) Check for noise**

- (1) Turn the ignition switch to ON with the radio and display receiver assembly connector connected.
- (2) Turn the radio and display receiver assembly on and tune into AM mode.
- (3) Place a screwdriver, thin wire or other metal object on the radio and display receiver assembly antenna jack and check that noise can be heard from the speakers.

OK:

Noise can be heard from the speakers.

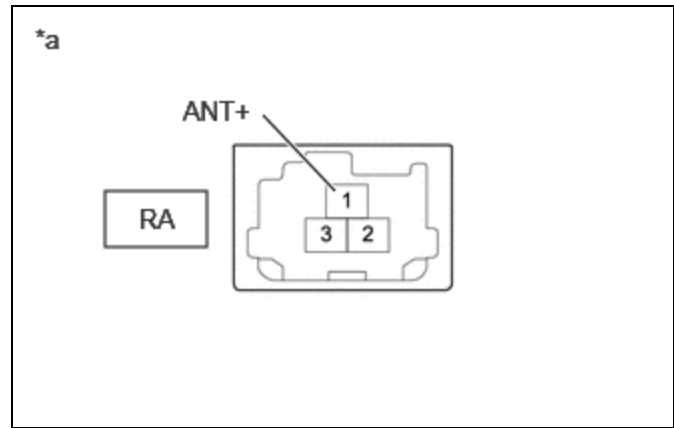
NG  **REPLACE RADIO AND DISPLAY RECEIVER ASSEMBLY****OK****4. INSPECT RADIO AND DISPLAY RECEIVER ASSEMBLY**

- (a) Disconnect the RA radio and display receiver assembly connector.

(b) Measure the voltage according to the value(s) in the table below.

Standard Voltage:

TESTER CONNECTION	SWITCH CONDITION	SPECIFIED CONDITION
RA-1 (ANT+) - Body ground	Ignition switch ACC Radio switch on	7.0 to 16.0 V



*a Component without harness connected (Radio and Display Receiver Assembly)

NG ▶ REPLACE RADIO AND DISPLAY RECEIVER ASSEMBLY

OK



5. INSPECT ANTENNA CORD SUB-ASSEMBLY (for Instrument Panel)

(a) Replace the antenna cord sub-assembly with a new or known good one and check if radio broadcasts can be received normally.

Click here [INFO](#)

OK:
Radio broadcasts can be received normally.

OK ▶ END

NG



6. INSPECT NO. 3 ANTENNA CORD SUB-ASSEMBLY

(a) Replace the No. 3 antenna cord sub-assembly with a new or known good one and check if radio broadcasts can be received normally.

Click here [INFO](#)

OK:
Radio broadcasts can be received normally.

OK ▶ **END****NG****7. INSPECT ANTENNA CORD SUB-ASSEMBLY (for Roof)**

(a) Replace the No. 2 antenna cord sub-assembly with a new or known good one and check if radio broadcasts can be received normally.

Click here 

OK:

Radio broadcasts can be received normally.

OK ▶ **END****NG****8. INSPECT ROOF ANTENNA ASSEMBLY**

(a) Replace the roof antenna assembly with a new or known good one and check if radio broadcasts can be received normally.

Click here 

OK:

Radio broadcasts can be received normally.

OK ▶ **END****NG** ▶ **REPLACE RADIO AND DISPLAY RECEIVER ASSEMBLY**