

Last Modified: 12-04-2024	6.11:8.1.0	Doc ID: RM1000000295CM
Model Year Start: 2023	Model: Prius Prime	Prod Date Range: [12/2022 -]
Title: AUDIO / VIDEO: AUDIO AND VISUAL SYSTEM: B153587; Image Processing Module "B" Video Signal Missing Message; 2023 - 2024 MY Prius Prius Prime [12/2022 -]		

DTC	B153587	Image Processing Module "B" Video Signal Missing Message
------------	----------------	---

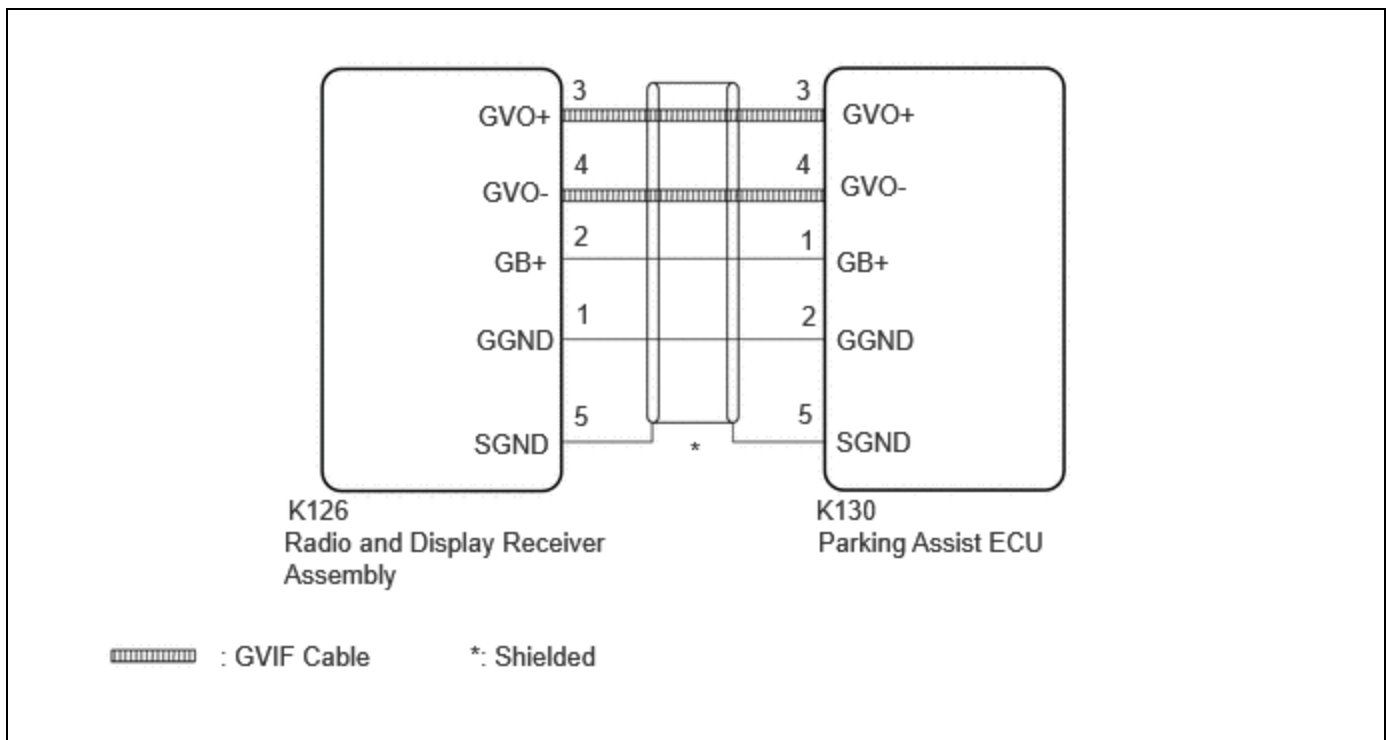
DESCRIPTION

This DTC is stored when a video signal line is disconnected.

DTC NO.	DETECTION ITEM	DTC DETECTION CONDITION	TROUBLE AREA	DTC OUTPUT FROM	PRIORITY
B153587	Image Processing Module "B" Video Signal Missing Message	Parking assist ECU video signal error (2 trip detection logic)	<ul style="list-style-type: none"> Panoramic view monitor system* Harness or connector Radio and display receiver assembly 	Navigation System	B

*: w/ Panoramic view monitor system

WIRING DIAGRAM



CAUTION / NOTICE / HINT

NOTICE:

Depending on the parts that are replaced during vehicle inspection or maintenance, performing initialization, registration or calibration may be needed.

[Click here](#) 

PROCEDURE

1.	CHECK PANORAMIC VIEW MONITOR SYSTEM
-----------	--

(a) Check if the panoramic view system is malfunctioning.

HINT:

[Click here](#) 

RESULT	PROCEED TO
Malfunction does not occur	A
Malfunction occurs	B

B  **GO TO PANORAMIC VIEW MONITOR SYSTEM** 

A



2.	CHECK HARNESS AND CONNECTOR (RADIO AND DISPLAY RECEIVER ASSEMBLY - PARKING ASSIST ECU)
-----------	---

Pre-procedure1

(a) Disconnect the K126 radio and display receiver assembly connector.

(b) Disconnect the K139 parking assist ECU connector.

Procedure1

(c) Measure the resistance according to the value(s) in the table below.

Standard Resistance:



[Click Location & Routing\(K126\)](#)

[Click Connector\(K126\)](#)

TESTER CONNECTION	CONDITION	SPECIFIED CONDITION	RESULT
K126-2 (GB+) - K139-1 (GB+)	Always	Below 1 Ω	Ω
K126-3 (GVO+) - K139-3 (GVO+)	Always	Below 1 Ω	Ω

TESTER CONNECTION	CONDITION	SPECIFIED CONDITION	RESULT
K126-4 (GVO-) - K139-4 (GVO-)	Always	Below 1 Ω	Ω
K126-1 (GGND) - K139-2 (GGND)	Always	Below 1 Ω	Ω
K126-5 (SGND) - K139-5 (SGND)	Always	Below 1 Ω	Ω
K126-2 (GB+) or K139-1 (GB+) - Body ground	Always	10 k Ω or higher	k Ω
K126-3 (GVO+) or K139-3 (GVO+) - Body ground	Always	10 k Ω or higher	k Ω
K126-4 (GVO-) or K139-4 (GVO-) - Body ground	Always	10 k Ω or higher	k Ω
K126-1 (GGND) or K139-2 (GGND) - Body ground	Always	10 k Ω or higher	k Ω
K126-5 (SGND) or K139-5 (SGND) - Body ground	Always	10 k Ω or higher	k Ω

Post-procedure1

(d) None

OK ► **REPLACE RADIO AND DISPLAY RECEIVER ASSEMBLY**

NG ► **REPAIR OR REPLACE HARNESS OR CONNECTOR**

