

Last Modified: 12-04-2024	6.11:8.1.0	Doc ID: RM10000000289PA
Model Year Start: 2023	Model: Prius Prime	Prod Date Range: [12/2022 -]
Title: ADVANCED DRIVER ASSISTANCE SYSTEM: FRONT SIDE RADAR SENSOR: ECU DATA SAVE/WRITE; 2023 - 2024 MY Prius Prius Prime [12/2022 -]		

ECU DATA SAVE/WRITE

PROCEDURE

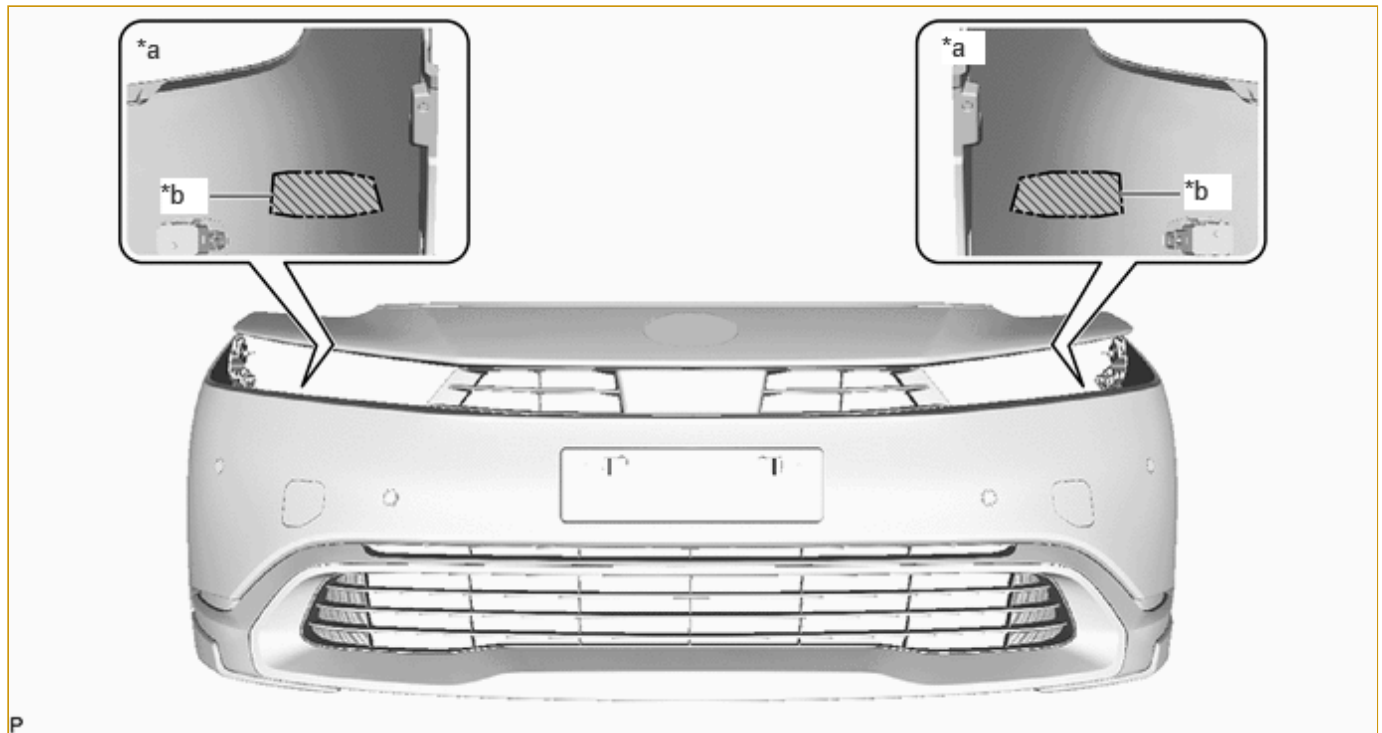
1. FRONT SIDE RADAR ECU DATA SAVE

NOTICE:

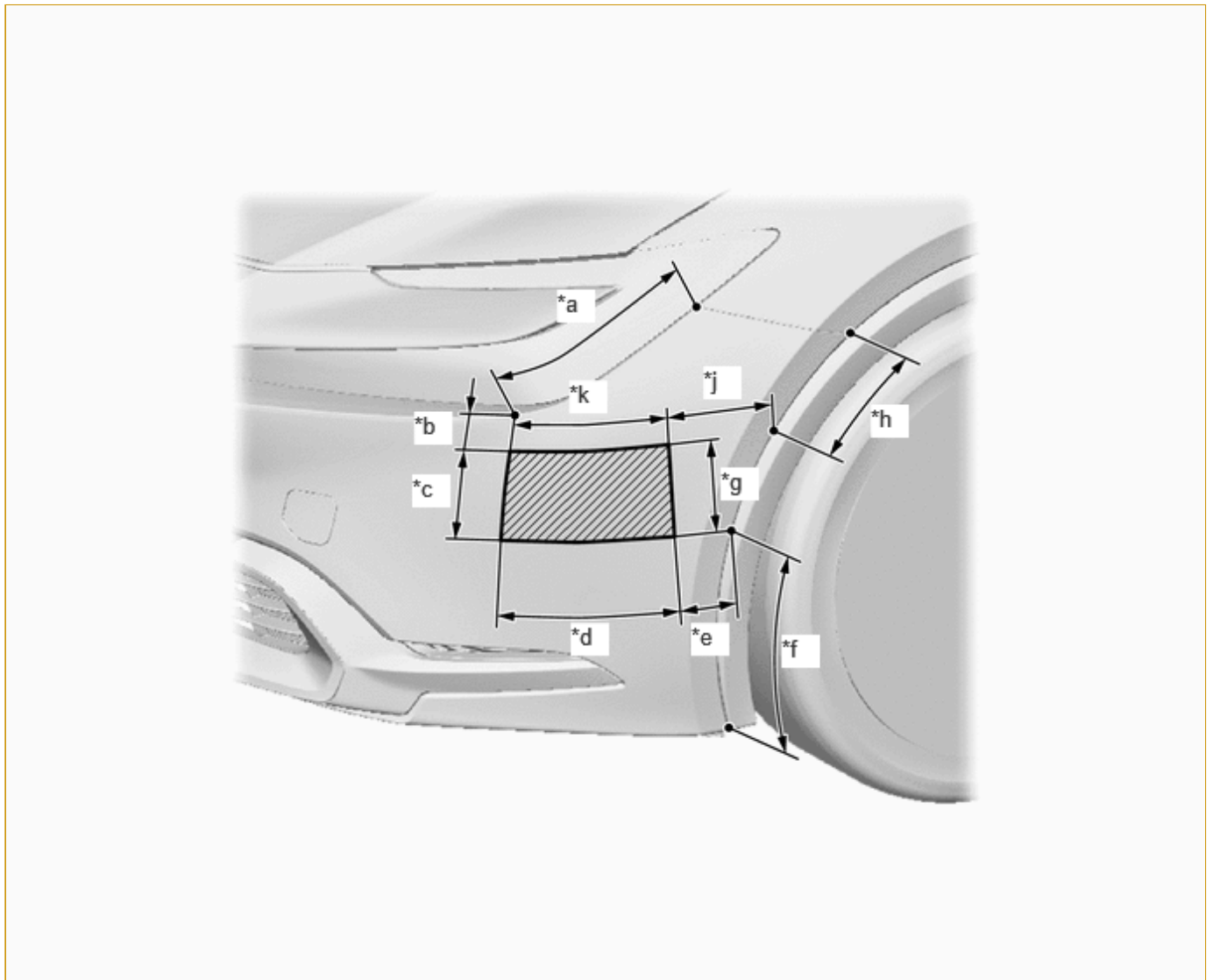
In the following situations, perform "Front Side Radar Beam Axis Confirmation" or "Check Reflection Power" after replacing the front side radar sensor with a new one as the values of the beam axis alignment cannot be stored by the GTS.


- When a minor collision is suspected.
- When body repairs have been performed on the vehicle.
- For a vehicle in which the system frequently operates inappropriately or fails to operate.
- When a DTC for front side radar sensor (module "A") beam axis misalignment (horizontal) or front side radar sensor (module "B") beam axis misalignment (horizontal) has been stored.
- When vehicle control history (RoB) code for front side radar sensor (module "A") blockage or front side radar sensor (module "B") blockage has been stored.
- When vehicle control history (RoB) code for front side radar sensor (module "A") blockage Level 2 or front side radar sensor (module "B") blockage Level 2 has been stored.
- If body repair has been performed at a radio wave transmission area of the front bumper cover, make sure to perform "Check Reflection Power".

Click here [INFO](#)



*a	Bumper Rear Side	*b	Scribed Line
	Radio Wave Transmission Area	-	-



*a	282 mm (11.10 in.)	*b	48 mm (1.89 in.)
*c	122 mm (4.80 in.)	*d	224 mm (8.82 in.)
*e	79 mm (3.11 in.)	*f	291 mm (11.46 in.)
*g	122 mm (4.80 in.)	*h	156 mm (6.14 in.)
*j	146 mm (5.75 in.)	*k	206 mm (8.11 in.)
	Radio Wave Transmission Area	-	-

HINT:

By performing front side radar "A" ECU data save or front side radar "B" ECU data save, it becomes possible to save the beam axis adjustment value to the GTS.

- (a) Turn the ignition switch off.
- (b) Connect the GTS to the DLC3.
- (c) Turn the ignition switch to ON.
- (d) Enter the following menus: Body Electrical / Front Side Radar "A" or Front Side Radar "B" / Utility.

HINT:

The "A" is on the LH side and the "B" is on the RH side.

Body Electrical > Front Side Radar "A" > Utility

TESTER DISPLAY
Front Side Radar "A" ECU Data Save

Body Electrical > Front Side Radar "B" > Utility

TESTER DISPLAY
Front Side Radar "B" ECU Data Save

(e) Check the results displayed for the front side radar "A" ECU data save or front side radar "B" ECU data save.

2. FRONT SIDE RADAR ECU DATA WRITE**NOTICE:**

- Before replacing the front side radar sensor LH, read the values and then write them to the new front side radar sensor LH.
- Before replacing the front side radar sensor RH, read the values and then write them to the new front side radar sensor RH.

HINT:

By performing front side radar "A" ECU data write or front side radar "B" ECU data write, the beam axis adjustment value from the old front side radar sensor before replacement can be written to the new front side radar sensor.

- Turn the ignition switch off.
- Connect the GTS to the DLC3.
- Turn the ignition switch to ON.
- Enter the following menus: Body Electrical / Front Side Radar "A" or Front Side Radar "B" / Utility.

HINT:

The "A" is on the LH side and the "B" is on the RH side.

Body Electrical > Front Side Radar "A" > Utility

TESTER DISPLAY
Front Side Radar "A" ECU Data Write

Body Electrical > Front Side Radar "B" > Utility

TESTER DISPLAY
Front Side Radar "B" ECU Data Write

(e) Check the results displayed for the front side radar "A" ECU data write or front side radar "B" ECU data write.

